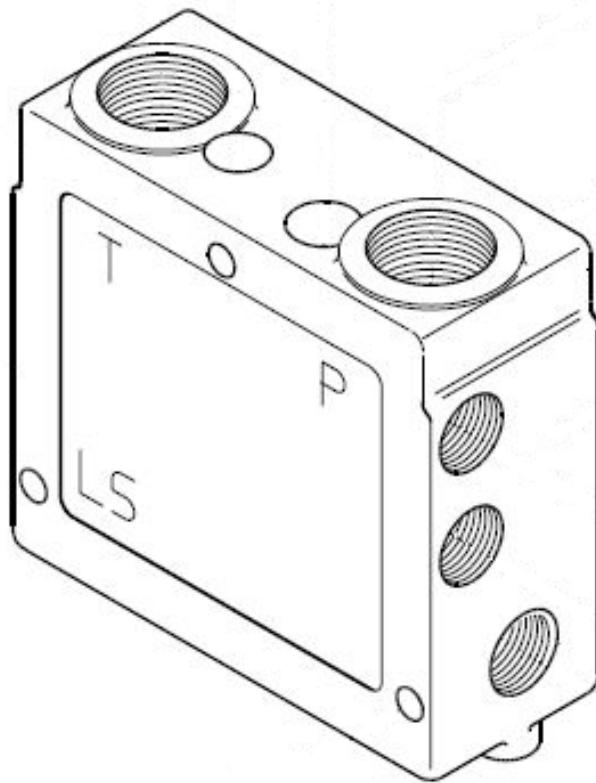


PVG32 PVP Conversions





PVG32 PVP Conversions

CONTENTS

- Pump Side Module Options
- Converting from Open to Closed Centre
- Converting from Closed to Open Centre

PVG32 PVP Conversions

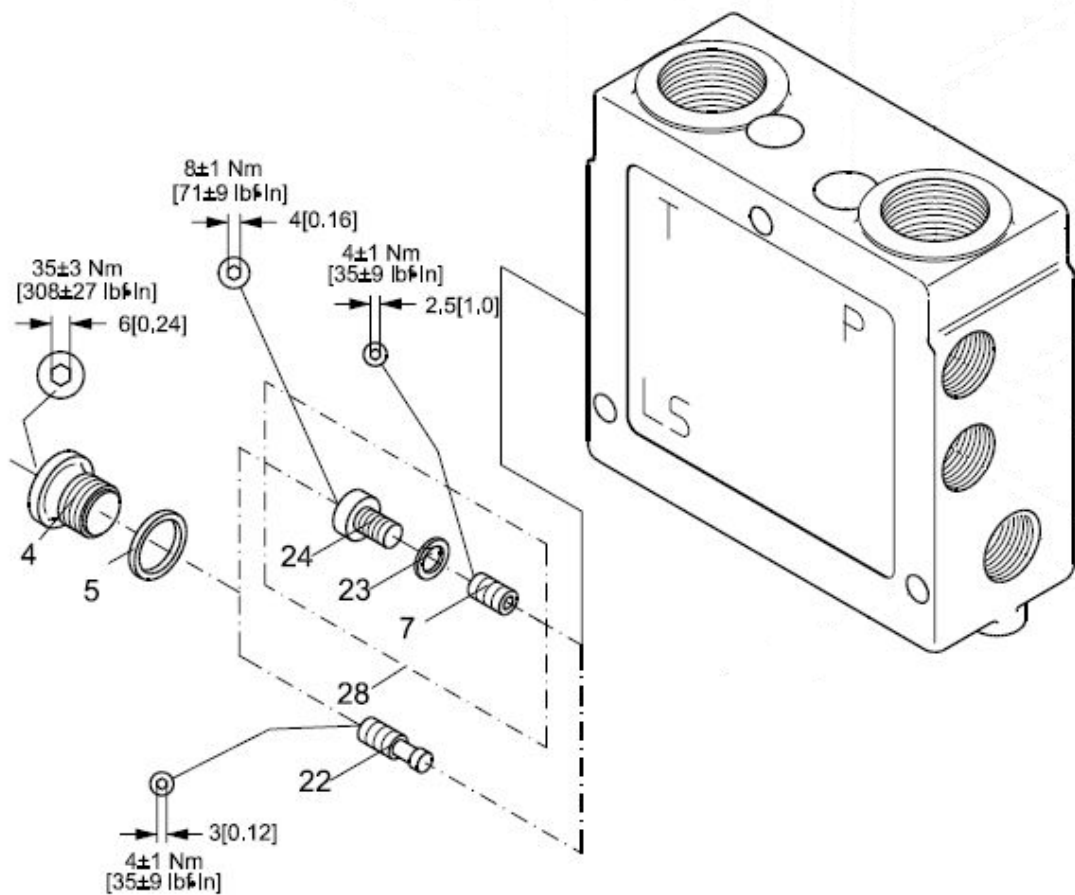
Pump Side Module Options

PVP, pump side module

Code no. 157B...		Without pilot supply for PVE	With pilot supply for PVE
Open centre	T = G ³ / ₄ , P = G ¹ / ₂	5000	5010
	P = ⁷ / ₈ - 14 UNF	5200	5210
	T = G ³ / ₄ , P = G ³ / ₄	5100	5110
	P = 1 ¹ / ₁₆ - 12 UNF	5300	5310
Closed centre	T = G ³ / ₄ , P = G ¹ / ₂	5001	5011
	P = ⁷ / ₈ - 14 UNF	5201	5211
	T = G ³ / ₄ , P = G ³ / ₄	5101	5111
	P = 1 ¹ / ₁₆ - 12 UNF	5301	5311
Weight	kg	3.0	3.0
	[lb]	[6.6]	[6.6]

PVG32 PVP Conversions

OPEN to CLOSED Centre



PVG32 PVP Conversions

OPEN to CLOSED Centre

1. Remove #22



SDD part number 155L5153 - M6 Plug.

2. Install #7



SDD part number 155L5389 – Orifice D1.0 x M6

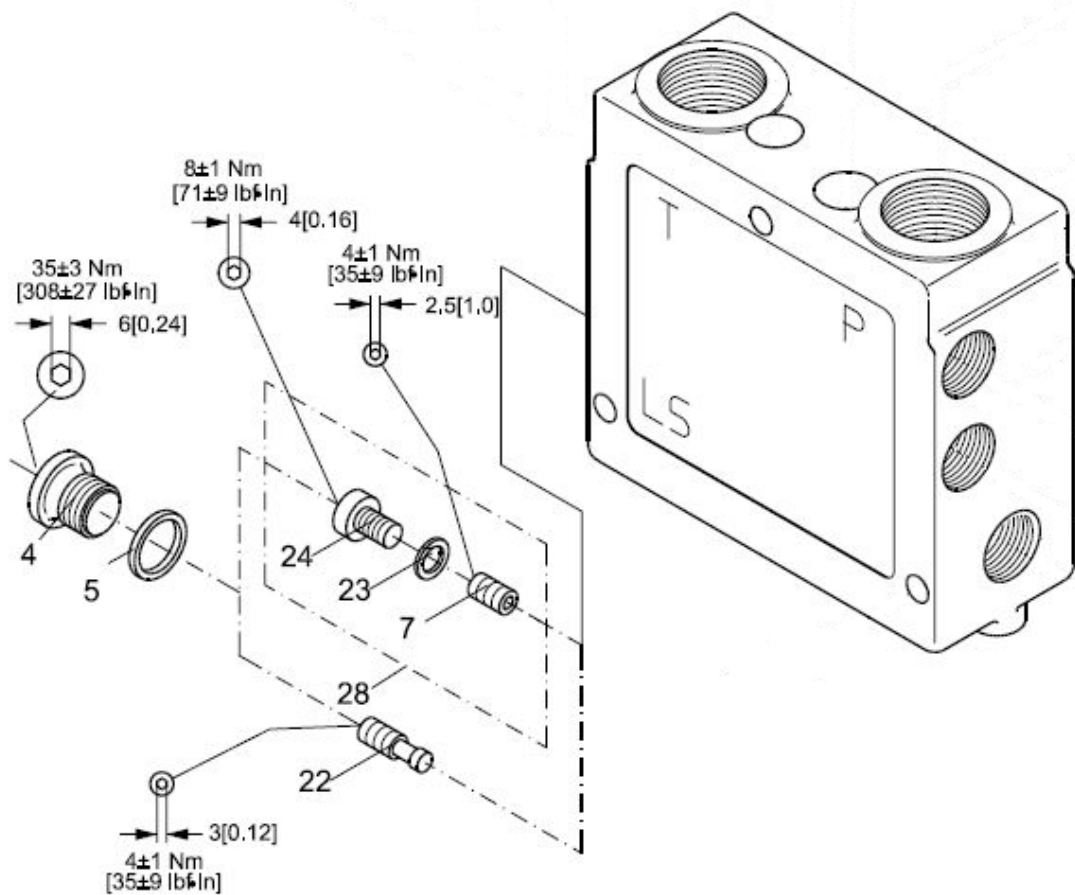
3. Install #23 & #24



SDD parts #23 - 633B9008 – Bonded Seal
& #24 - 681X1506 – M6 Screw

PVG32 PVP Conversions

CLOSED to OPEN Centre



PVG32 PVP Conversions

CLOSED to OPEN Centre

1. Remove #24 & #23



SDD parts #23 - 633B9008 – Bonded Seal
& #24 - 681X1506 – M6 Screw

2. Remove #7



SDD part number 155L5389 – Orifice D1.0 x M6

3. Install #22



SDD part number 155L5153 - M6 Plug.



PVG32 PVP Conversions

Notes