

Data Sheet

# Direction Indicator for PVG

## PVDI

The PVDI is a part of the Danfoss product portfolio and offers an independent electrical direction feedback for PVG 32 and PVG 100.

The PVDI can be used in combination with manual control, hydraulic control and electrical control.

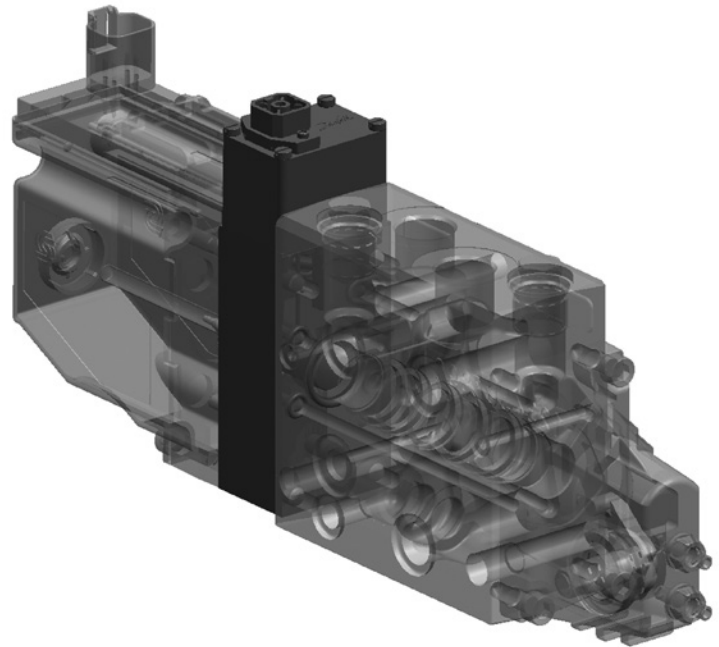
The PVDI offers an independent monitoring on the spool position relative neutral and can be used for a redundant feedback to the system controller.

The PVDI can be used on an optional number of PVB in a PVG.

The PVDI integrity does not comply with IP65 so it must be shielded.

The PVDI is designed for use on spools with 1.5 mm [0.059 in] dead band.

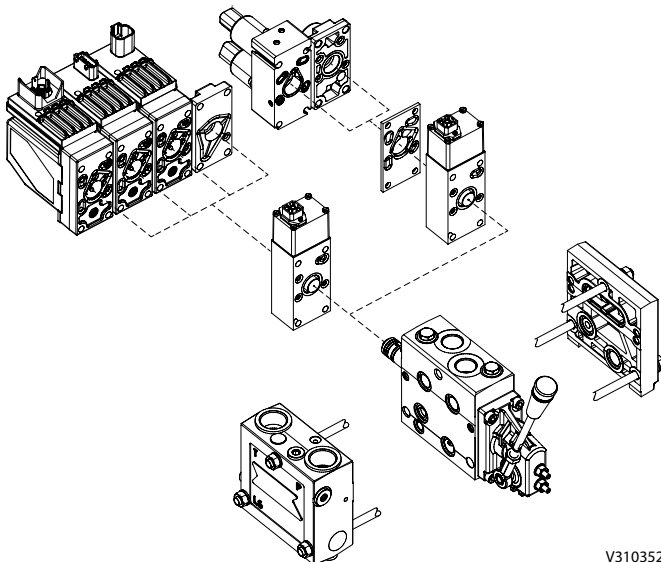
The PVDI can not be used with PVMF or PVMR.



### Features

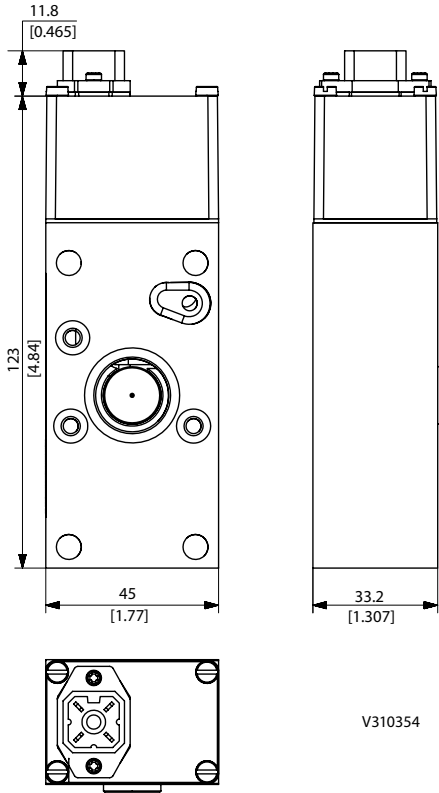
- Redundant spool movement detection
- Fits PVG100 and PVG32 with 1.5 mm PVBS
- Electrical feedback can supply a relay
- Must be shielded

Comprehensive technical literature online  
at [powersolutions.danfoss.com](http://powersolutions.danfoss.com)



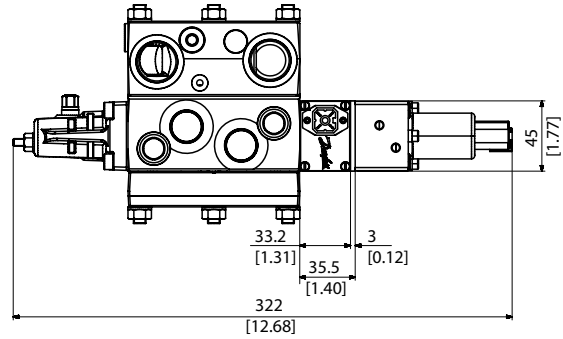
V310352-E

**Dimensions**



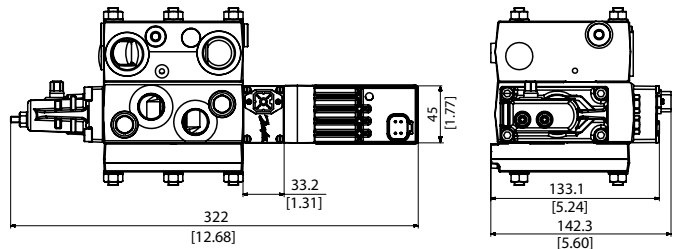
V310354

**157B0104 – PVHC and PVH controlled PVBS**



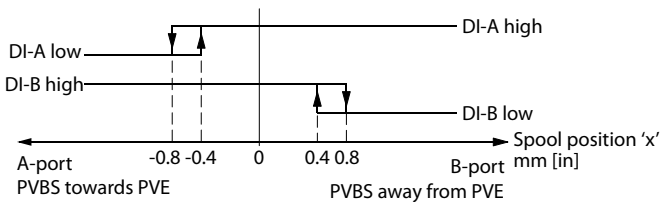
V310355-B

**157B0101 – PVE and PVM controlled PVBS**



V310353-A

**Direction indication feedback**



157-435.10

**Technical specifications**

<b>Voltage</b>	12 V – 24 V (min. 10 V / max. 30 V)
<b>Current consumption</b>	10 mA – 100 mA
<b>Maximum current draw on pins</b>	5 A
<b>Switch position</b>	± 0.7 mm (+0.3/-0.2) [± 0.028 in (±0.01)]
<b>Grade of enclosure*</b>	IP 22

\* According to the international standard IEC 529 NB. Protection in the form of screening is recommended.

**Accessories**

Male connector for PVDI: **157B0109** DIN/Hirschmann G4W1F.