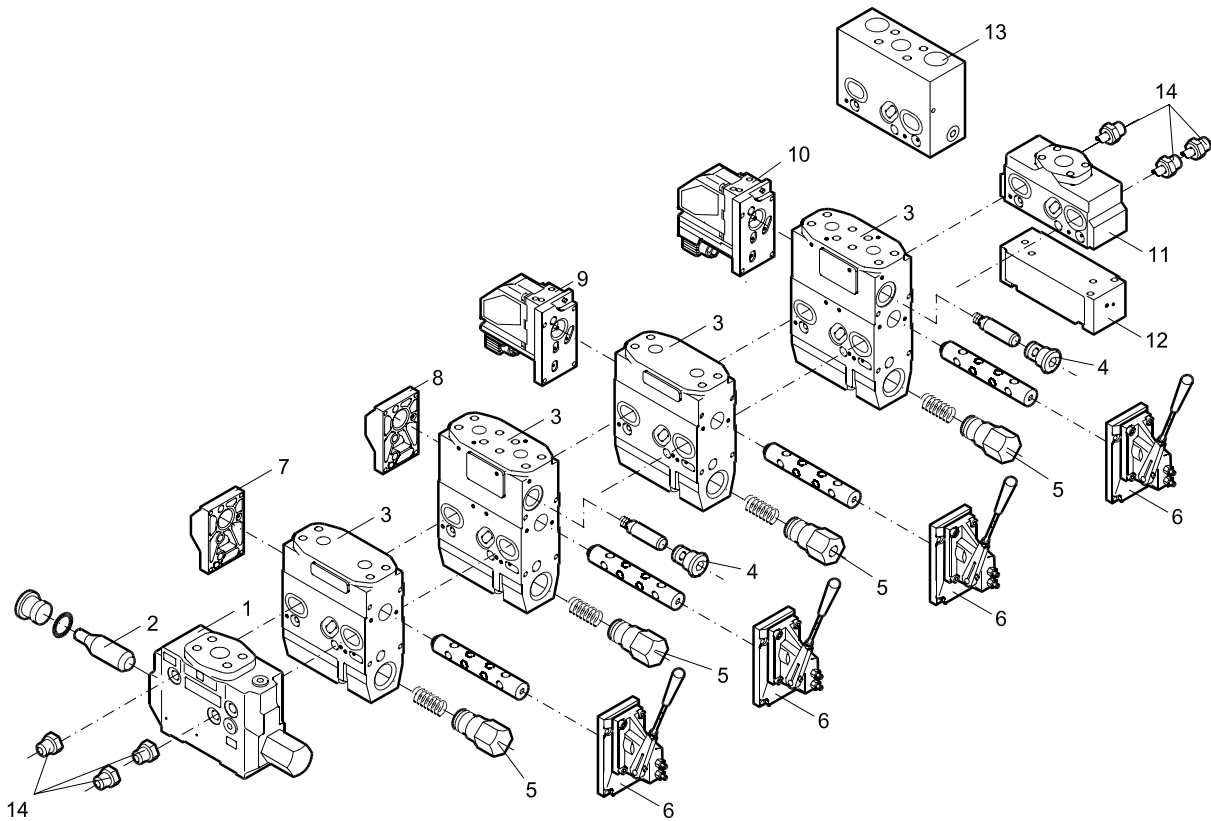


**CONTENTS AND  
 DATA SURVEY**

	<b>Page</b>
Sectional drawing .....	3
Identification .....	4
Installation PVG.....	5
Spare parts .....	22
Pos. 1: PVP, pump side module .....	22
Pos. 2: PVP, accessories for pump side modules .....	24
Pos. 3: PVB, basic module.....	26
Pos. 4: PVLP/PVLA, shock and anti-cavitation valve .....	28
Pos. 5: PVB, accessories for basic modules.....	30
Pos. 6: PVM, mechanical activation .....	32
Pos. 7: PVMD, cover for mechanical activation.....	34
Pos. 8: PVH, cover for hydraulic activation.....	34
Pos. 9: PVEH, electrical activation.....	36
Pos. 10: PVEO, electrical activation.....	36
Pos. 11: PVT, tank side module, upper part .....	38
Pos. 12: PVT, tank side module, lower part .....	40
Pos. 13: PVGI, combi module.....	42
Pos. 14: PVAS/PVGI, assembly kit .....	44
Set of seal sets PVG 32 .....	46



155B476.10

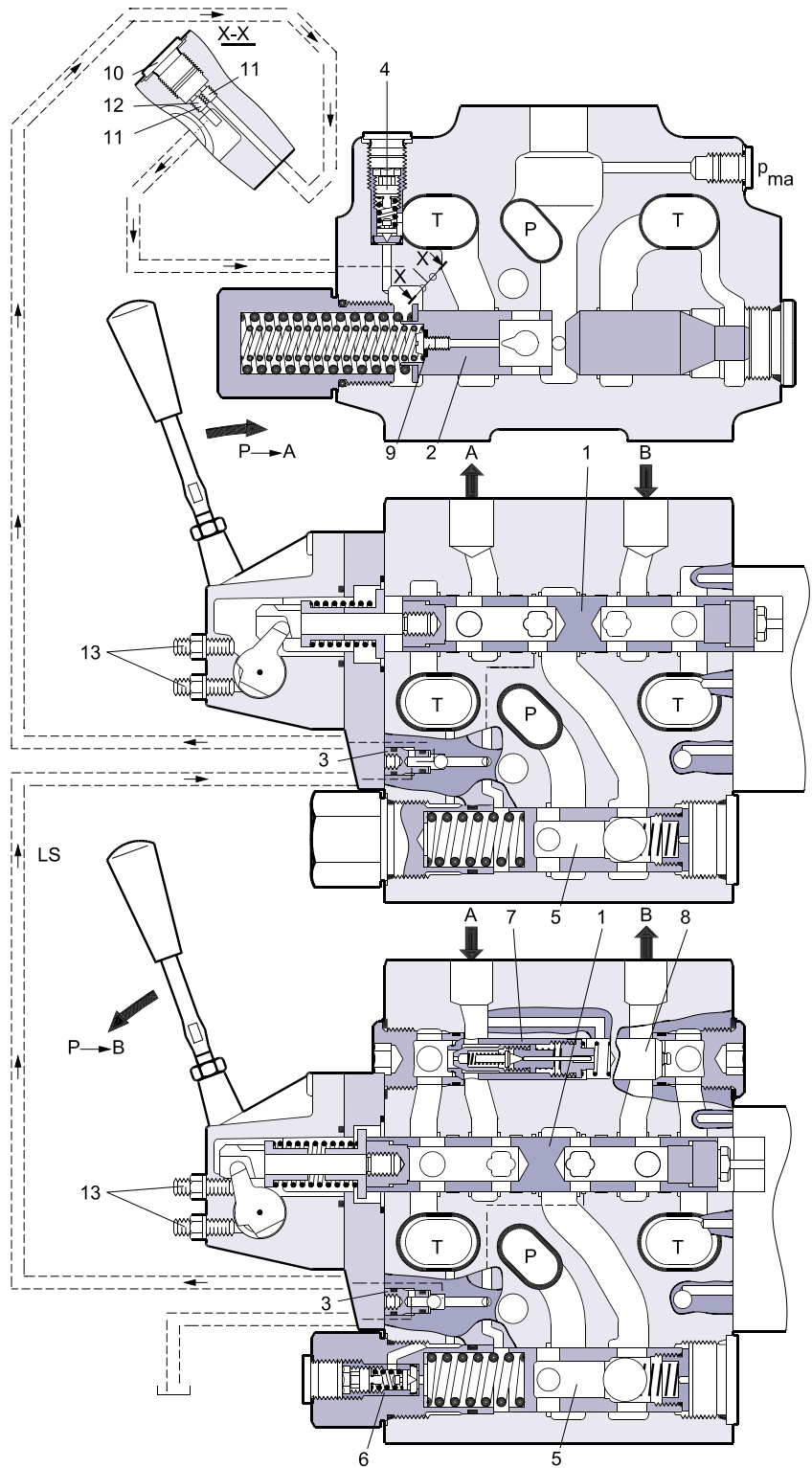
© 2001 Sauer-Danfoss

Sauer-Danfoss can accept no responsibility for possible errors in catalogues, brochures and other printed material. Sauer-Danfoss reserves the right to alter its products without prior notice. This also applies to products already ordered provided that such alterations can be made without subsequent changes being necessary in specifications already agreed. All trademarks in this material are properties of the respective companies. Sauer-Danfoss and the Sauer-Danfoss logotype are trademarks of the Sauer-Danfoss Group. All rights reserved.

Frontpage: P300003.TIF, P300001.TIF, P300009.TIF, P30011.TIF, Drawing 155B570.ai

**PVG 120  
SECTIONAL DRAWING**

1. Main spool
2. Pressure adjustment spool in PVP
3. Shuttle valve
4. Pressure relief valve in PV
5. Pressure compensator in PVB
6. LS-pressure relief valve in PVB
7. Shock and suction valve
8. Suction valve
9. PVP, orifice, closed center PVP, plug, open centre
10. LS-connection
11. PVP, orifice, open centre
12. PVP, plug, closed centre

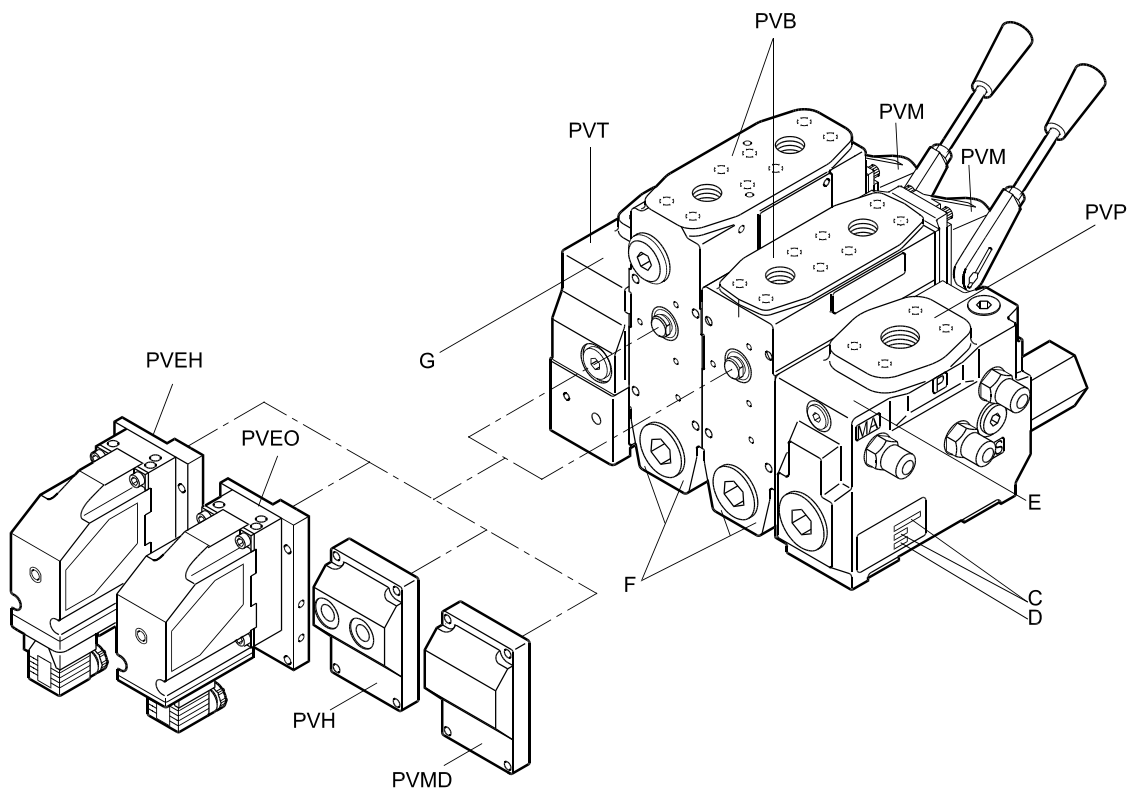


155B228,10

**COST-FREE REPAIRS**

We would point out that cost-free repairs as mentioned in Sauer-Danfoss General Conditions of Sale, are carried out only at Sauer-Danfoss or at service shops authorized by Sauer-Danfoss.

**IDENTIFICATION**

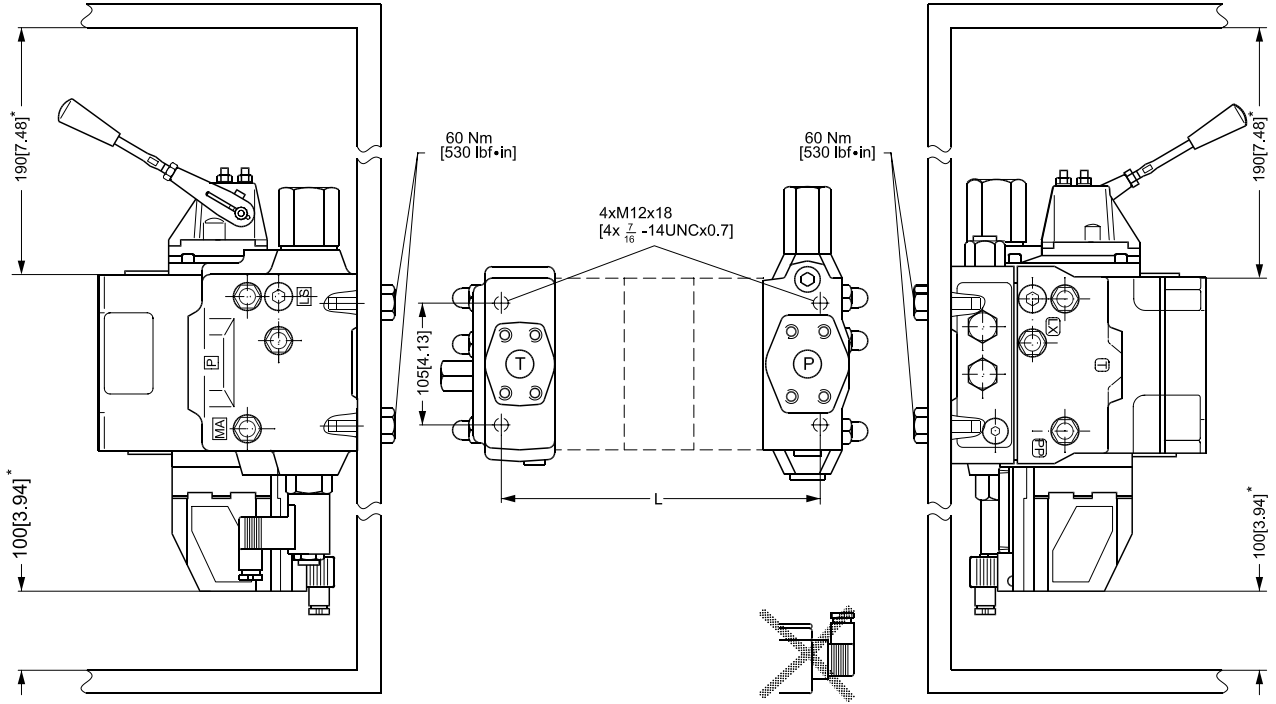


155B444.10

- C: PVG – number, week and year of installation
- D: PVP – pressure setting
- E: PVP – number, week, year and day manufacturing, issue and series No.
- F: PVB – A-Port, number, week, year and day manufacturing, issue and series No.
- G: PVT – week and year of manufacturing

**INSTALLATION AND  
PLUG ORIENTATION**

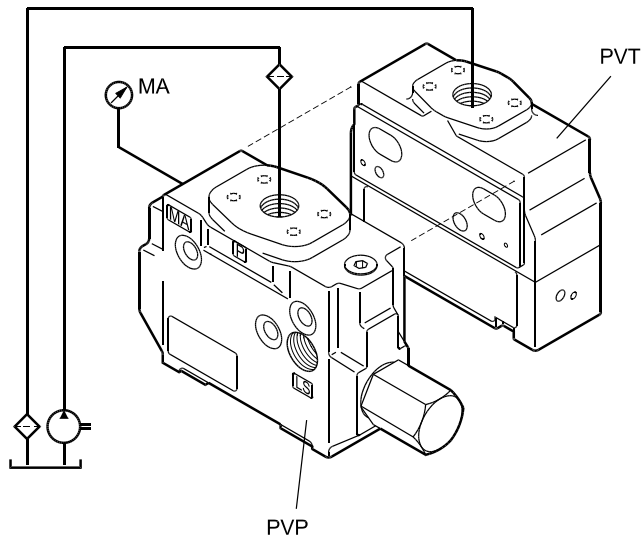
Module of PVB	1	2	3	4	5	6	7	8
L mm	168	235	302	369	436	503	570	637
L in	6.61	9.25	11.88	14.53	17.17	19.80	22.44	25.08



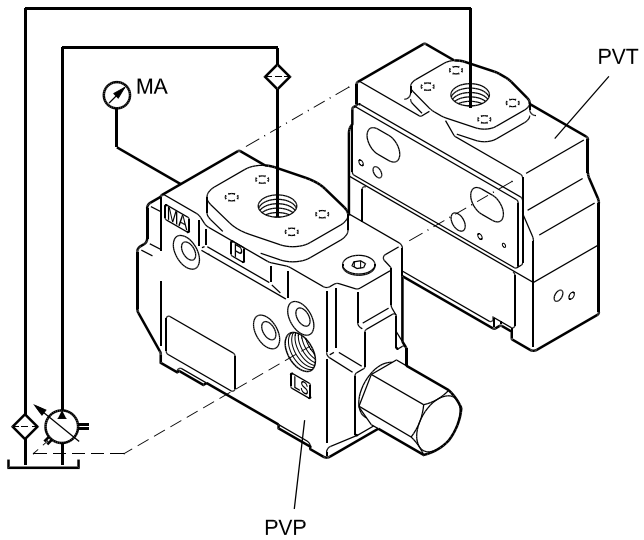
155B241.10

\* Room for dismantling

**CONNECTION,  
PVP, PUMP SIDE MODULE**



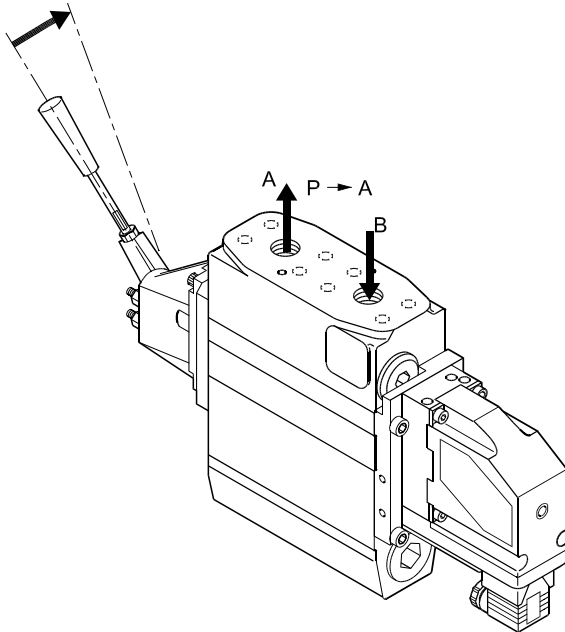
155B242.10



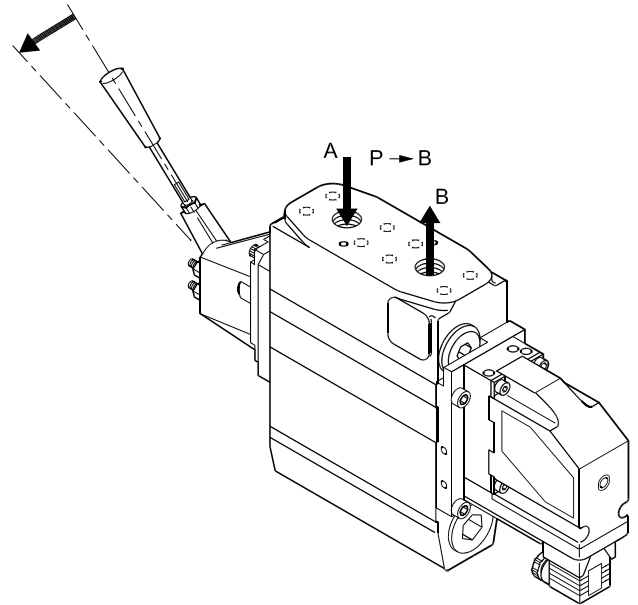
155B243.10

**OIL FLOW DIRECTION**

Mechanical actuation/electrical

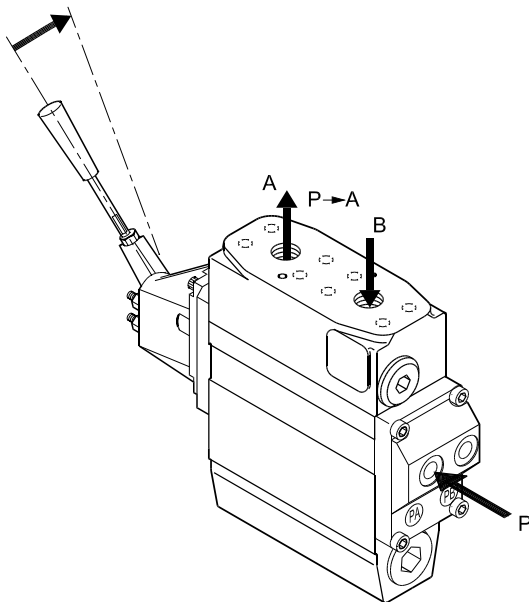


155B360.10.10

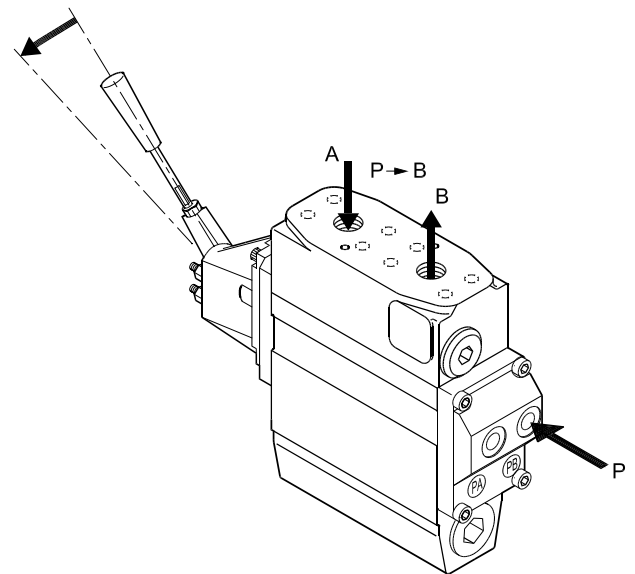


155B360.10.20

Mechanical/hydraulic actuation

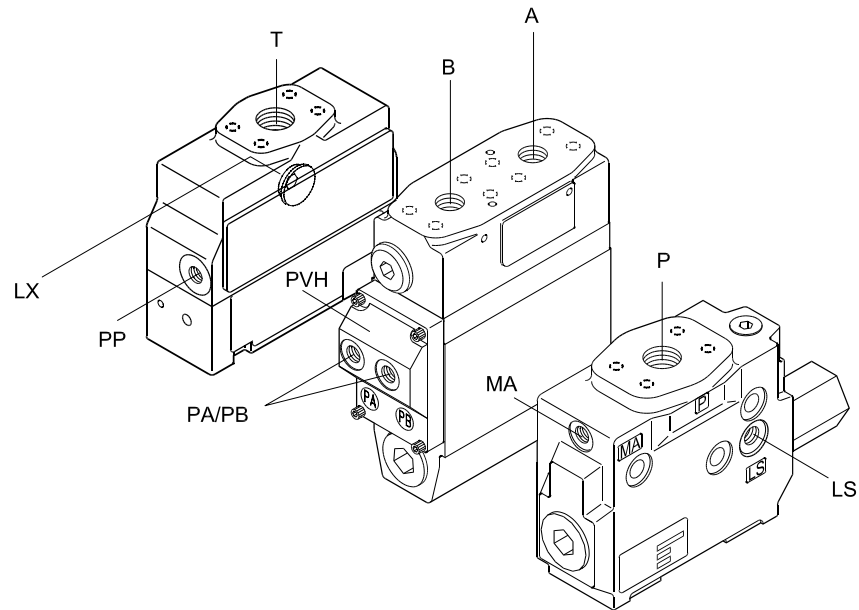


155B245.10.10



155B245.10.20

**TIGHTENING TORQUES**



155B445.10

**CONNECTION THREADS  
TYPE G (ISO 228/1)**

		Max. tightening torques		
		PA, PB	MA	LS, LX, PP
Sealing	Thread	G 1/4	G 1/4	G 3/8
	with steel washer	35 Nm [310 lbf-in]	40 Nm [350 lbf-in]	60 Nm [530 lbf-in]
	With cooper washer	30 Nm [270 lbf-in]	20 Nm [180 lbf-in]	35 Nm [310 lbf-in]
	with aluminium washer	30 Nm [270 lbf-in]	30 Nm [270 lbf-in]	40 Nm [350 lbf-in]
	with cutting edge	35 Nm [310 lbf-in]	40 Nm [350 lbf-in]	60 Nm [530 lbf-in]

**MOUNTING THREADS  
IN SAE J 518C FLANGES**

Max. tightening torques			
Port	Size	Threads	Tightening torque
P	1 in	M12, 18 deep	68 Nm
		7/16 - 14 UNC 0.7" deep	[600 lbf-in]
A/B	3/4 in	M10, 17 deep	45 Nm
		3/8 - 16 UNC 0.7" deep	[400 lbf-in]
T	1 in	M10, 17 deep	45 Nm
		3/8 - 16 UNC 0.7" deep	[400 lbf-in]

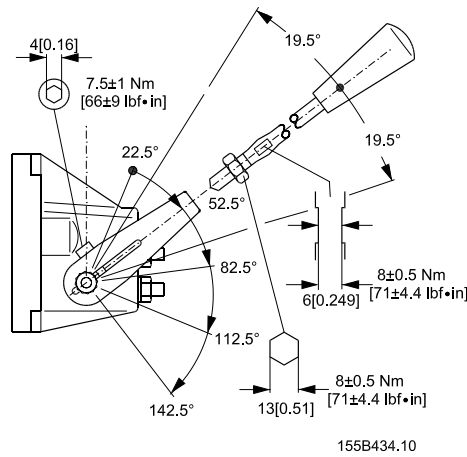
**UN AND UNF  
CONNECTION THREADS –  
O-RING BOSS PORT**

Max. tightening torques						
	P	A/B	T	PA/PB	MA	LS, LX, PP
Sealing / Thread	1 5/16 in-12 UN	1 1/16 in-12 UN	1 5/16 in-12 UN	1/2 in-20 UNF	1/2 in-20 UNF	3/4 in-20 UNF
O-ring	160 Nm [1410 in-lbs]	120 Nm [1060 in-lbs]	160 Nm [1410 in-lbs]	30 Nm [270 in-lbs]	30 Nm [270 in-lbs]	60 Nm [530 in-lbs]

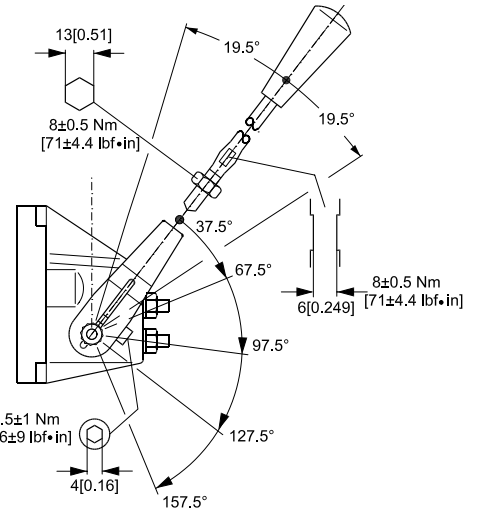


**INSTALLATION OF LEVER**

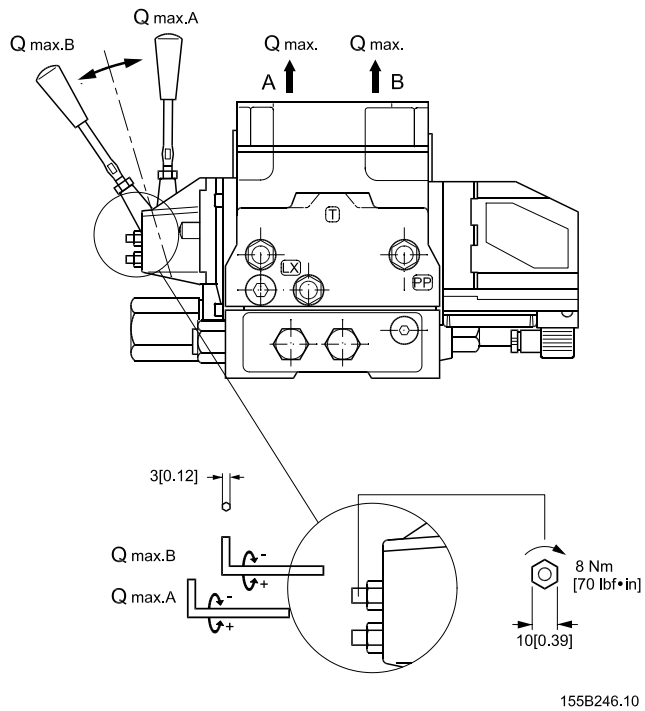
Base with an angle of 22.5°



Base with an angle of 37.5°

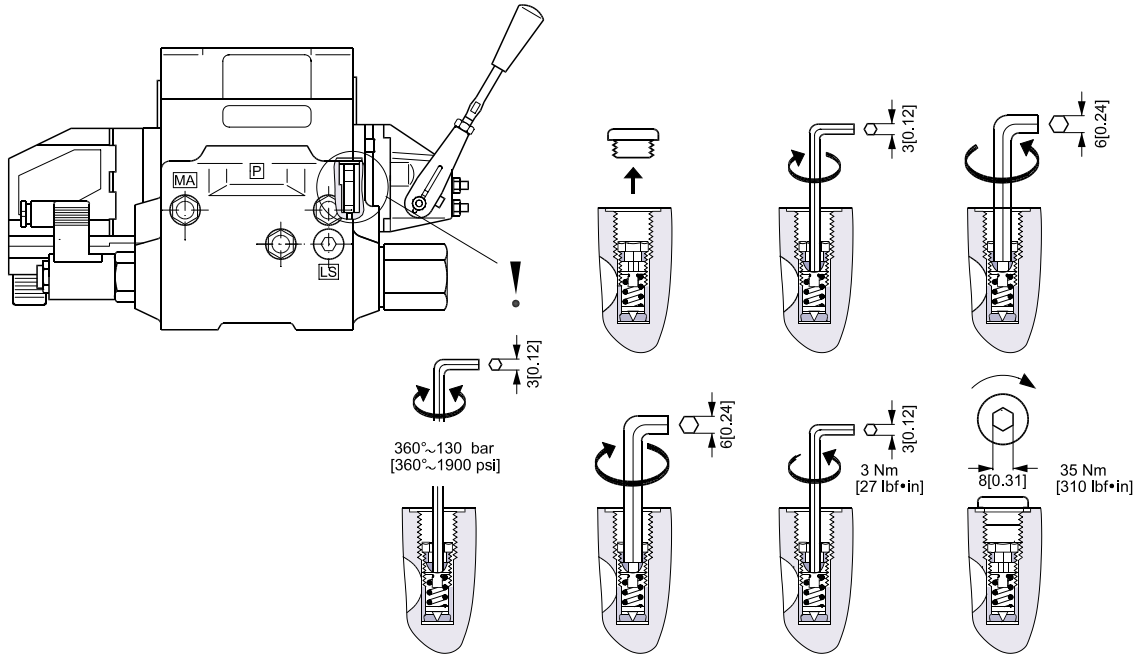


**SETTING OF MAX. FLOW**



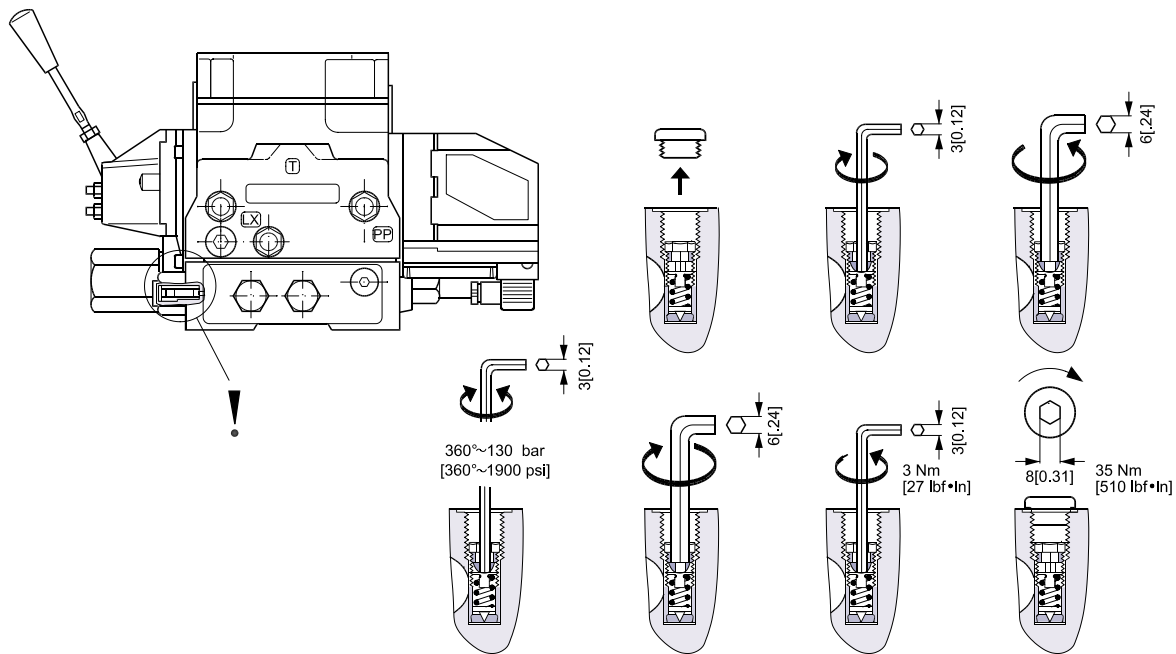
**PRESSURE SETTING**

**PVP,  
LS RELIEF VALVE SETTING**



155B247.10

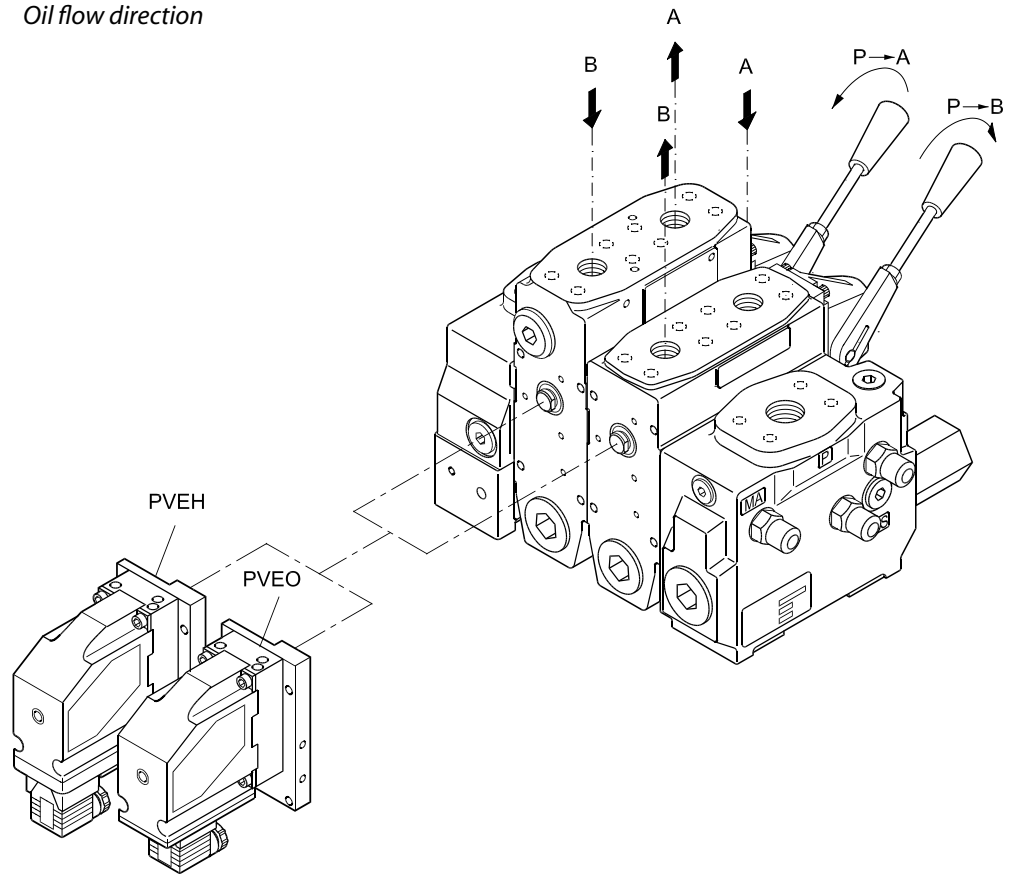
**PVB,  
LS RELIEF VALVE SETTING**



155B248.10

**ELECTRICAL ACTUATING  
MODULE PVE SERIES 2  
FOR PVG 120**

*Oil flow direction*



155B494.10

**OPTION,  
OIL FLOW DIRECTION  
AND SETTING OF MAX  
FLOW**

**Electrical connection**

*Proportional activation*

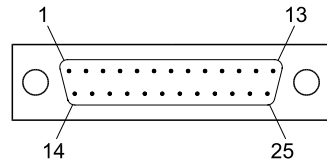
U <sub>DC</sub>	11 - 15 V ==		22 - 30 V ==	
	1 (U <sub>+</sub> )	2 (U <sub>S</sub> )	1 (U <sub>+</sub> )	2 (U <sub>S</sub> )
Q:P → A	U <sub>DC</sub>	(0.5 → 0.25) × U <sub>DC</sub>	U <sub>DC</sub>	(0.5 → 0.25) × U <sub>DC</sub>
Q:P → B	U <sub>DC</sub>	(0.5 → 0.75) × U <sub>DC</sub>	U <sub>DC</sub>	(0.5 → 0.75) × U <sub>DC</sub>
Neutral	U <sub>DC</sub>	0.5 × U <sub>DC</sub>	U <sub>DC</sub>	0.5 × U <sub>DC</sub>

*On/off activation*

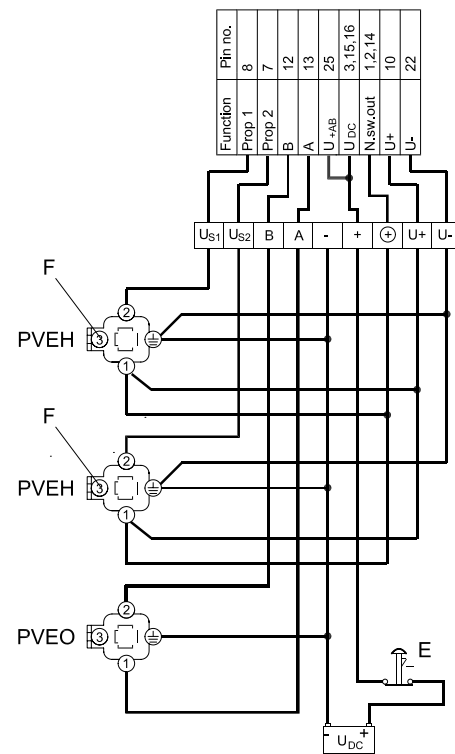
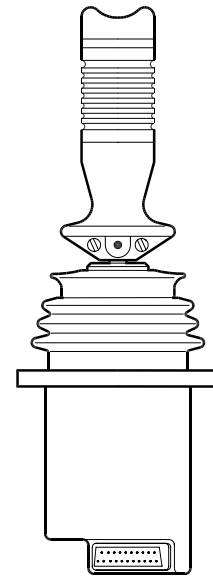
U <sub>DC</sub>	11 - 15 V ==		22 - 30 V ==	
	1 (A)	2 (B)	1 (A)	2 (B)
Q:P → A	U <sub>DC</sub>	0	U <sub>DC</sub>	0
Q:P → B	-	U <sub>DC</sub>	-	U <sub>DC</sub>
Neutral	0	0	0	0

U<sub>DC</sub> = Supply voltage  
U<sub>S</sub> = Signal voltage

**25 Pin SUB-D connector**  
with M3 screws (MIL-DTL-24308)



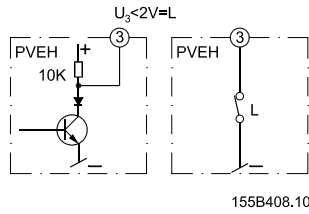
162B78.10



E: Emergency circuit breaker  
F: Branch circuit for fault indication

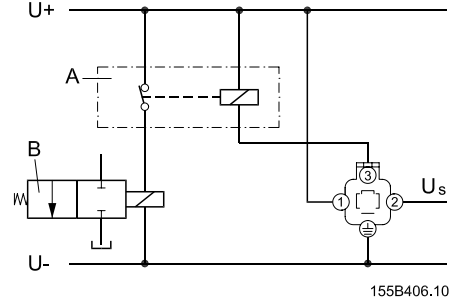
157-235.10

**PVE FAULT MONITORING**

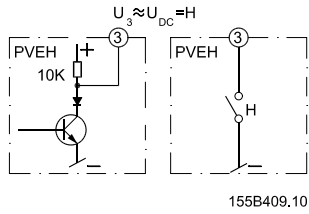


Green

**Normal**

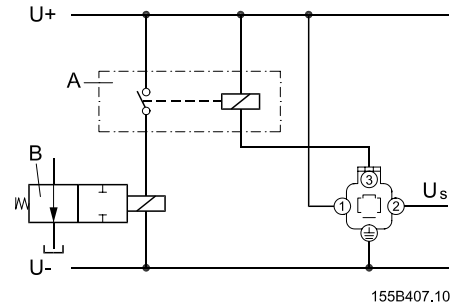


A: External relay  
B: Solenoid valve



Red

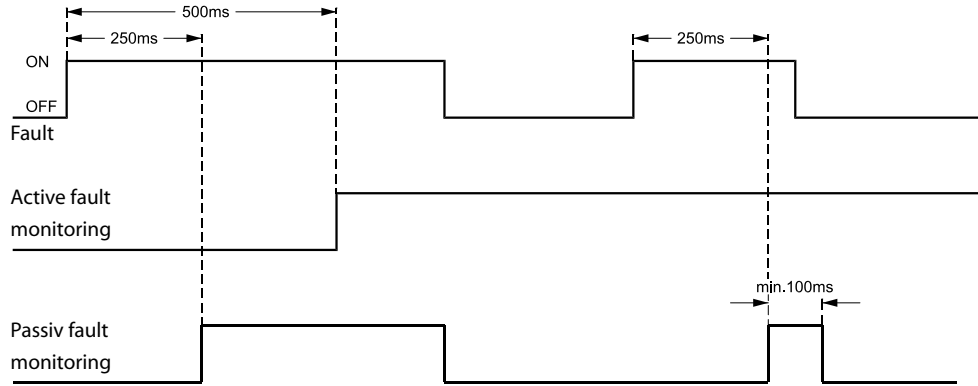
**Fault**



A: External relay  
B: Solenoid valve

**PVE FAULT MONITORING**

**Reaction time**



155B492.10

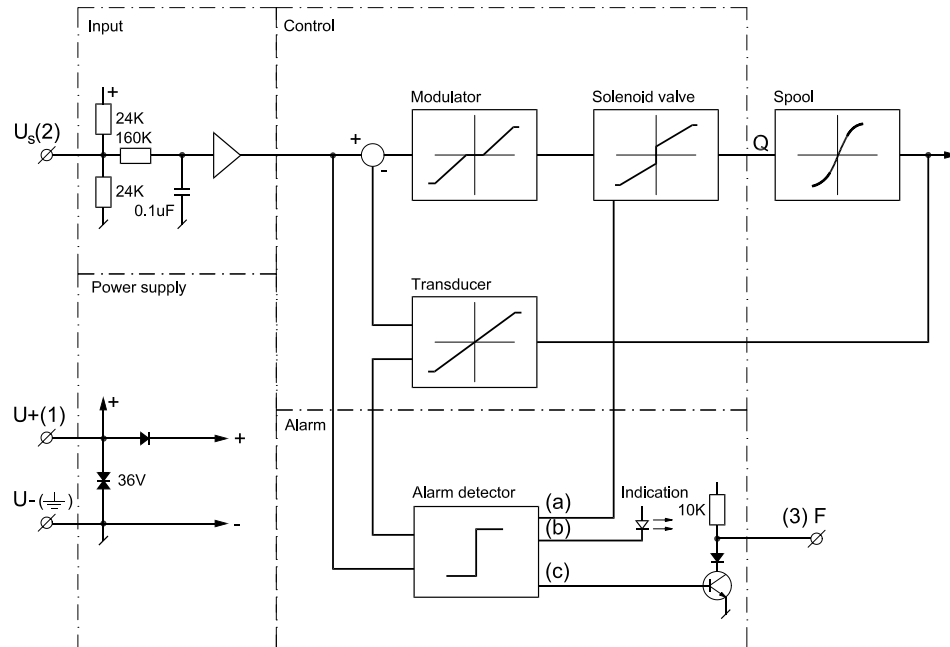
**BLOCK DIAGRAM**

**Active**

- (a): Cut-off of solenoid valves
- (b): Control signal for LED
- (c): Control signal for alarm output

**Passive**

- (a): Does not exist
- (b): Control signal for LED
- (c): Control signal for alarm output



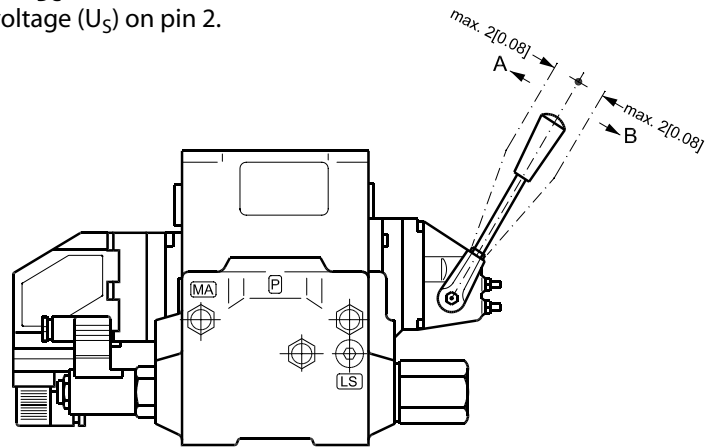
157-275.10

**PVEH**

**ADJUSTMENT OF PVE  
WHEN MAX. LEVER  
TRAVEL IS EXCEEDED  
(PVE IS FACTORY-PRESET)**

Check max. lever travel in neutral position

1. Make sure the system is supplied with hydraulic power
2. Connect supply voltage ( $U_{DC}$ )  
(Signal voltage =  $0,5 \times U_{DC}$ ),  
or cut off the signal voltage ( $U_S$ ) on pin 2.



155B496.10

Lever travel exceeded in	PVG 32	Direction of rotation for adjustment of position transducer
Direction A	<p>157-164.10.10</p>	<p>155B497.10.20</p>
Direction B	<p>157-164.10.20</p>	<p>155B497.10.10</p>

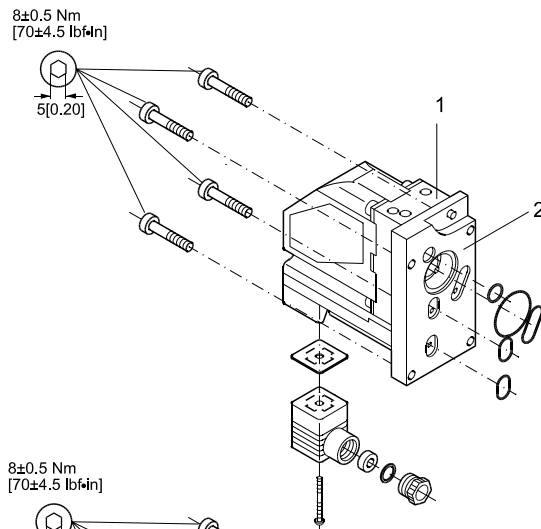
Turn of transducer	Movement of lever
1/4	1.5 mm [0.06 in]
1/2	3.0 mm [0.12 in]
3/4	4.5 mm [0.18 in]

**INSTALLATION OF PVE**

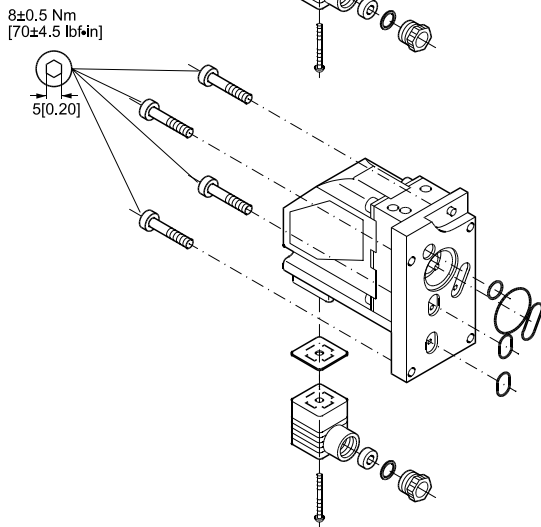
For security reasons, any replacement of O-rings between valve block 1 and intermediate plate 2 may only be effected at service shops authorized by Danfoss.

Mixing up PVE series 2 for PVG 120 and PVG 32 may lead to self-actuation.

PVEH



PVEO

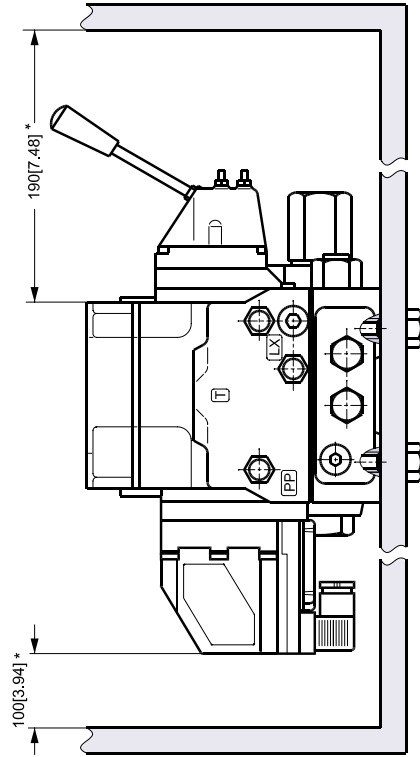


155B495.10



**BLEEDING**

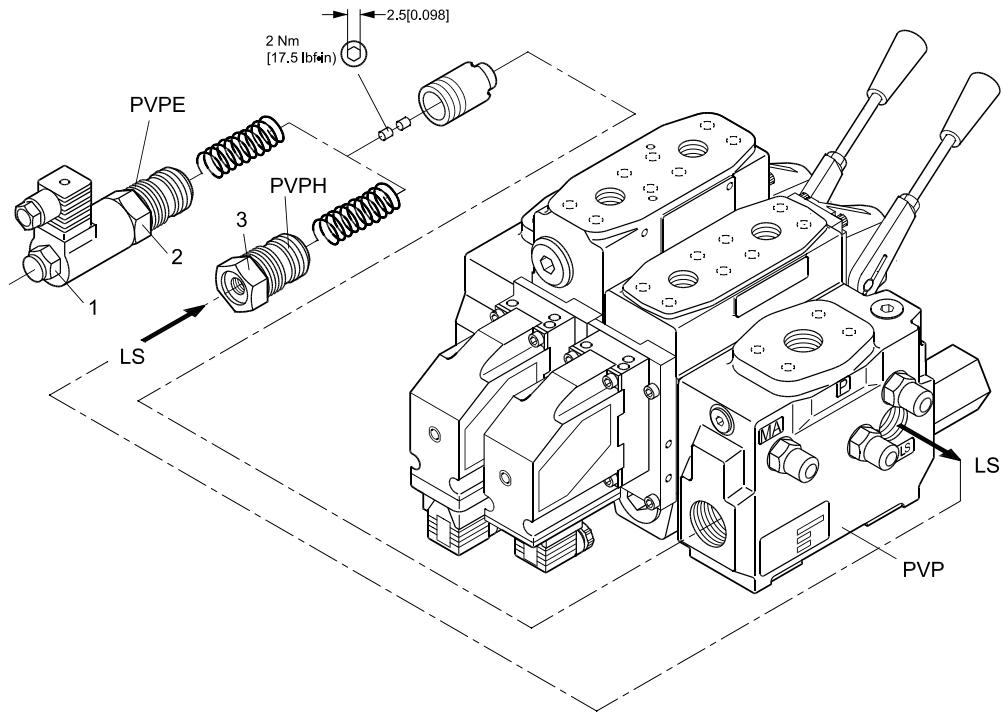
(If the group is installed vertically, it is recommended to bleed it at the adjusting screws)



155B498.10

**PVPE/PVH,  
RELIEF VALVES**

Position	Across flats	Max. tightening torque
1	22 mm [0.87 in]	5 Nm [45 lbf-in]
2	36 mm [1.42 in]	85 Nm [750 lbf-in]
3	36 mm [1.42 in]	85 Nm [750 lbf-in]



155B443.10

**PVPH AND LS  
CONNECTIONS**

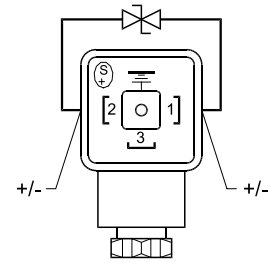
Sealing	Steel washer		Copper washer		Aluminium washer		Cutting edge	
	PVPH:	LS:	PVPH:	LS:	PVPH:	LS:	PVPH:	LS:
Threads, DS/ISO 228/1	G 1/4	G 3/8	G 1/4	G 3/8	G 1/4	G 3/8	G 1/4	G 3/8
Max. tightening torque	40 Nm (350 lbf-in)	60 Nm (530 lbf-in)	20 Nm (180 lbf in)	35 Nm (310 lbf-in)	30 Nm (270 lbf in)	40 Nm (350 lbf-in)	40 Nm (350 lbf-in)	60 Nm (530 lbf-in)

**PVPE , TECHNICAL DATA**

Max. operation pressure		350 bar [5085 psi]	
Max. pressure drop a an flow of 0.20 l/min. [0.053 US gal/min]		1.2 bar [17 psi]	
Recommended temperature		30 to 60°C [86 to 140°F]	
Oil temperature (inlet temperature)	Min. temperature	-30°C [-22°F]	
	Max. temperature	+90°C [+194°F]	
Max. coil surface temperature		155°C [311°F]	
Ambient temperature		-30 to +60°C [-22 to +140°F]	
Oil viscosity	Operating range	12 to 75 mm <sup>2</sup> /s [65 to 347 SUS]	
	Min. viscosity	4 mm <sup>2</sup> /s [39 SUS]	
	Max. viscosity	460 mm <sup>2</sup> /s [2128 SUS]	
Response time for pressure relief to tank		600 ms	
Enclosure to. IEC 529		IP 65	
Rated voltage		12 V	24 V
Max. permissible deviation from rated supply voltage		± 10 %	± 10 %
Current consumption at rated voltage	at 22°C [72°F] coil temperature	1.55 A	0.78 A
	at 85°C [230°F] coil temperature	1.00 A	0.50 A
Power consumption	at 22°C [72°F] coil temperature	19 W	19 W
	at 85°C [230°F] coil temperature	12 W	12 W

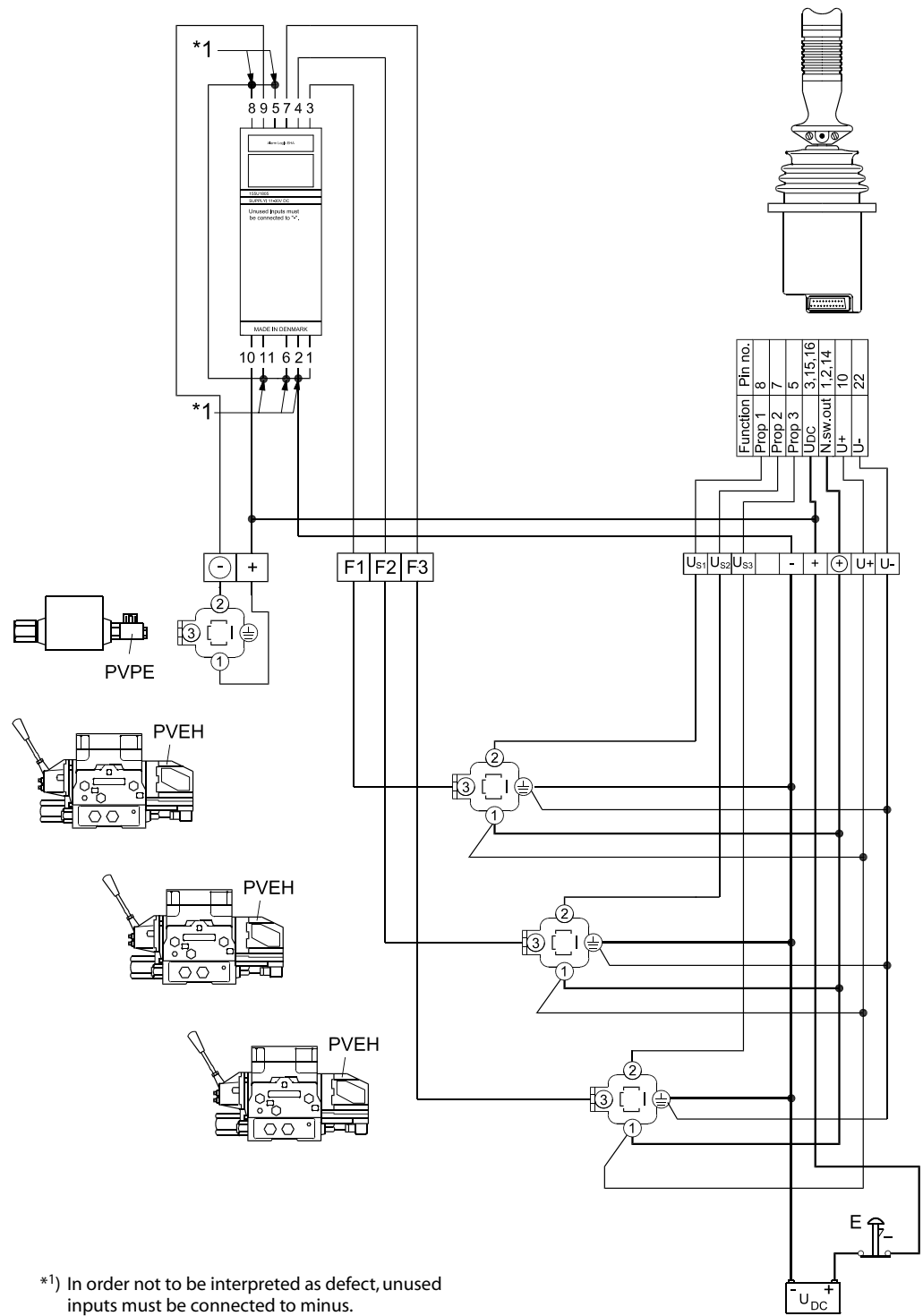
**CONNECTION PVPE**

When installing the wire remember to connect the built-in diode to the plug pins.



157-201.10

WIRING EXAMPLE



155U141.10

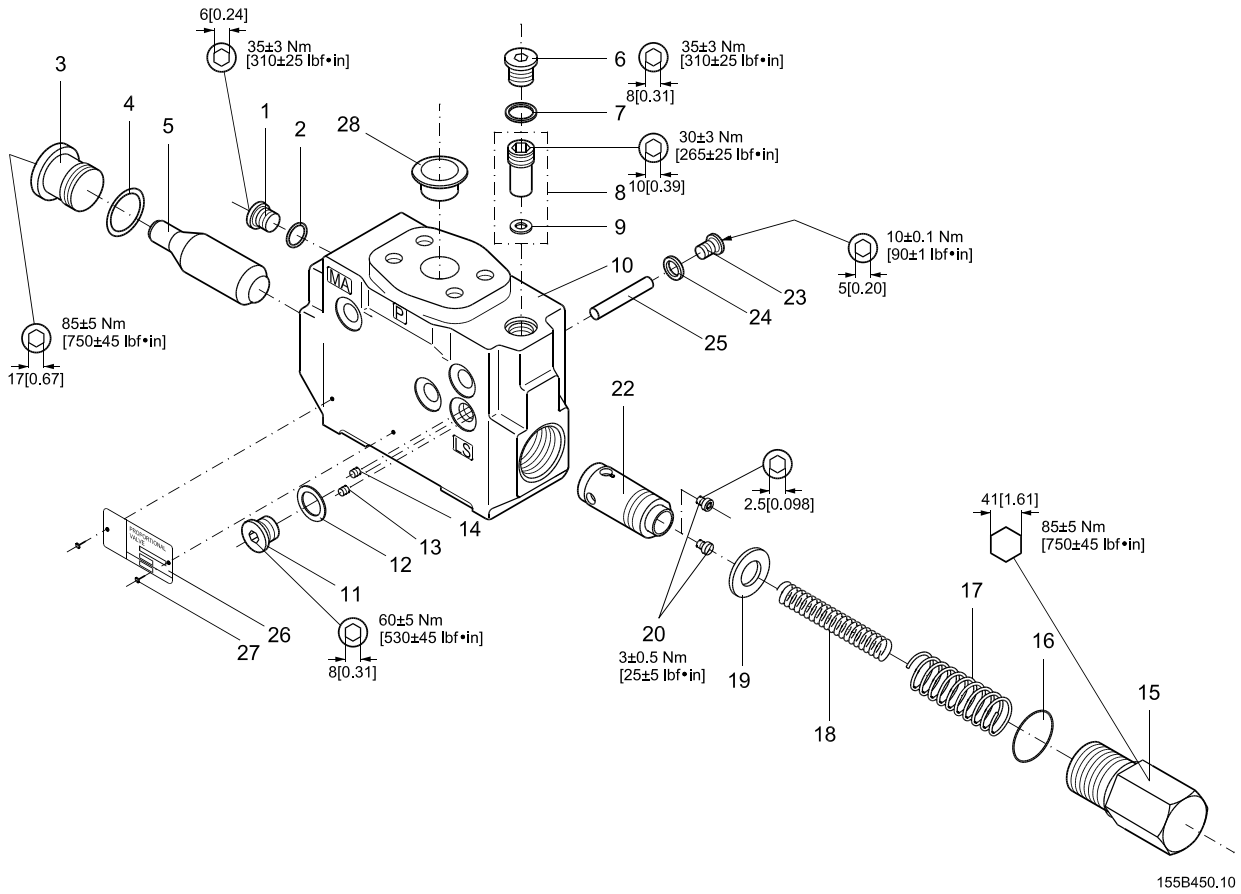
PVG 120 with normally open PVPE, PVRE remote control lever and EHA electronic alarm logic



PVG 120 Proportional Valve  
Service Parts Manual  
Notes

**NOTES**

**PVP,  
PUMP SIDE MODULE**



**PVP,  
PUMP SIDE MODULE**

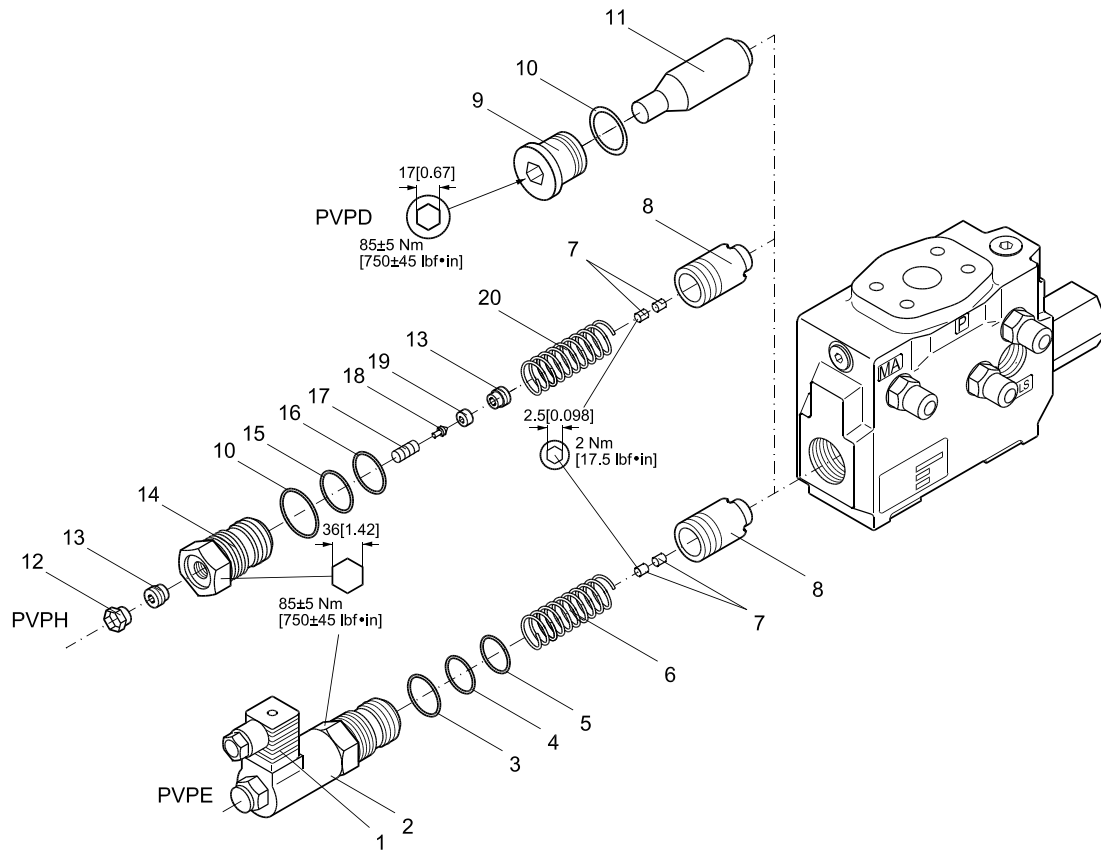
With O-ring Boss port connection 1 5/16 in - 12 UN	Code No.
PVP – closed center incl. PVPD	155G5022
PVP – open center excl. PVPD, PVPH, PVPE	155G5023
PVP – open center incl. uprating kit excl. PVPD, PVPH, PVPE	155G5028
PVP – closed center without relief valve	155G5031

With SAE flange mounting thread 7/16 - 14 UNC	Code No.
PVP – closed center incl. PVPD	155G5038
PVP – open center excl. PVPD, PVPH, PVPE	155G5037
PVP – open center incl. uprating kit excl. PVPD, PVPH, PVPE	155G5029
PVP – closed center without relief valve	155G5032

With SAE flange mounting thread M 12 x 18 deep	Code No.
PVP – closed center incl. PVPD	155G5020
PVP – open center excl. PVPD, PVPH, PVPE	155G5021
PVP – open center incl. uprating kit excl. PVPD, PVPH, PVPE	155G5027
PVP – closed center without relief valve	155G5030

Item	Description	Code No.																		
1	Plug	631X2036	1	1	1	1														
		155L6405					1	1	1	1	1	1	1	1	1	1	1	1	1	1
2*	Bonded seal 14.7 x 1.5 [0.58 x 0.06 in]	633B9017	1	1	1	1	1	1	1	1	1	1	1	1	1	1	1	1	1	1
3	Plug	631X2040				1				1										1
4*	O-ring 30.3 x 2.4 [1.19 x 0.09 in]	633B1441				1				1										1
5	Insert incl. item 3, 4	155G5041				1				1										1
6	Plug	155G5325		1	1	1			1	1	1			1	1	1				1
7*	O-ring 13.3 x 2.4 [0.52 x 0.09 in]	633B1462		1	1	1			1	1	1			1	1	1				1
8	Relief valve incl. pos. 9	155G8561		1	1	1			1	1	1			1	1	1				1
9*	Washer 7.0 x 14.0 x 1.5 [0.28 x 0.55 x 0.06 in]	684X2367		1	1	1			1	1	1			1	1	1				1
10	Pump side housing	-	1	1	1	1	1	1	1	1	1	1	1	1	1	1	1	1	1	1
11	Plug	631X2038	1	1	1	1														
		631X9716					1	1	1	1	1	1	1	1	1	1	1	1	1	1
12*	Bonded seal 17.4 x 1.5 [0.69 x 0.06 in] O-ring 16.36 x 2.21 [0.64 x 0.09 in]	633B9018	1	1	1	1														
		633B0046					1	1	1	1	1	1	1	1	1	1	1	1	1	1
13	Plug Orifice M5 x Ø0.5 [0.2 x 0.02 in]	681X3019				1				1										1
		155G5318		1	1				1	1				1	1					1
14	Orifice M5 x Ø0.5 [0.2 x 0.02 in]	155G5318		1	1				1	1				1	1					1
15	Plug	155G5314		1	1	1			1	1	1			1	1	1				1
16*	O-ring 33.3 x 2.4 [1.31 x 0.09 in]	633B1029**		1	1	1			1	1	1			1	1	1				1
		155G5330					1	1		1	1			1	1					1
17	Spring	155G5333**		1					1					1						1
		155G5331					1	1		1	1			1	1					1
18	Spring	155G5334**		1					1					1						1
		155G5317**		1	1	1			1	1	1			1	1	1				1
19	Washer 19.3 x 34.0 x 3.0 [0.76 x 1.34 x 0.12 in]	155G5318				1			1					1						1
20	Orifice M5 x Ø0.5 [0.2 x 0.02 in] Screw M5 [0.2 in]	155G5318				1				1										1
		681X3019				1				1										1
22	Spool	155G5312				1	1	1		1	1			1	1					1
		155G5321**		1					1					1						1
23	Plug	070-2741		1	1	1			1	1	1			1	1	1				1
24*	Bonded seal 10.35 x 2.0 [0.41 x 0.08 in]	633B9016		1	1	1			1	1	1			1	1	1				1
25	Pin	-		1	1	1			1	1	1			1	1	1				1
26	Name plate	155A5021	1	1	1	1	1	1	1	1	1	1	1	1	1	1	1	1	1	1
27	Drive screw	681Z8055	2	2	2	2	2	2	2	2	2	2	2	2	2	2	2	2	2	2
28	Plastic plug	633X1028	1	1	1	1	1	1	1	1	1									
		633X0019													1	1	1	1	1	1
*	Set of seals	155G8501	1	1	1	1	1	1	1	1	1	1	1	1	1	1	1	1	1	1
**	Uprating set for PVP ( PVB incl. 155G6035 see page 42)	155G5035																		

**PVPD, PVPH, PVPE,  
ACCESSORIES FOR PVP**



155B451.10

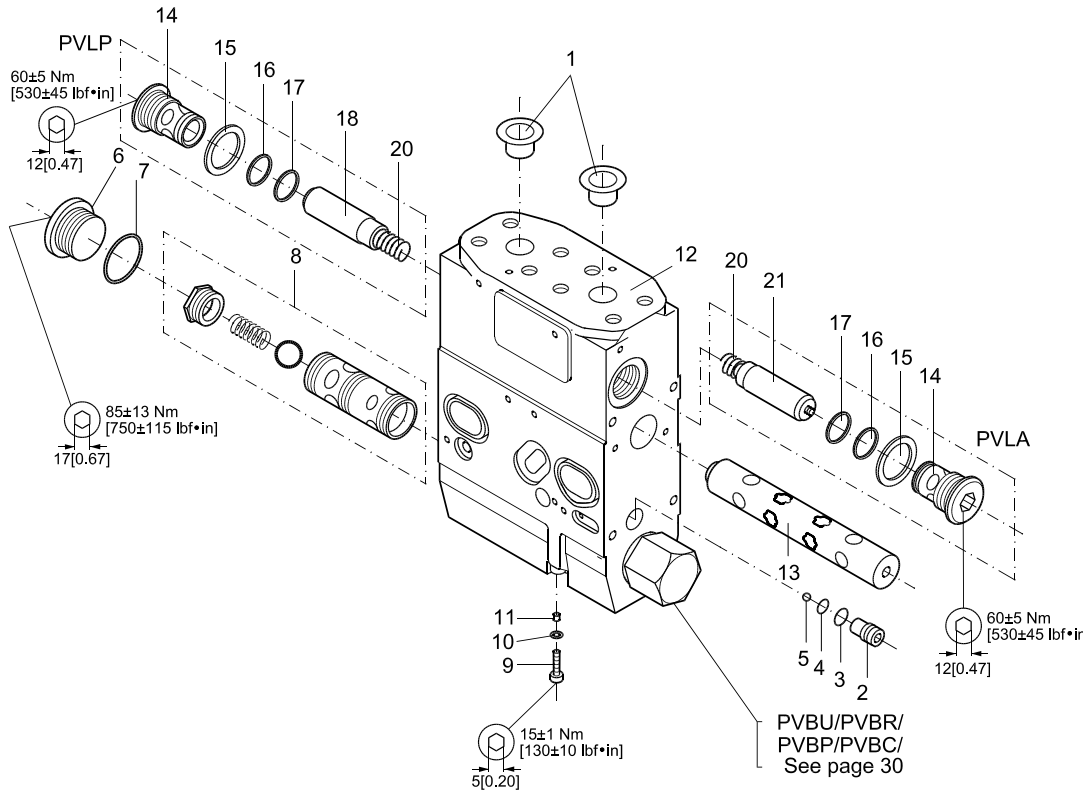


**PVPE, PVPD AND PVPH (ADDITIONAL MODULE FOR PVP OPEN CENTER)**

Type	Code No.	
PVPE – extra electrical relief valve	12 V	155G5052
	24 V	155G5054
PVPD – Plug	155G5041	
PVPH – extra hydraulic relief valve	155G5061	

Item	Description	Code No.				
1	Electrical plug	155G5451			1	1
2	Electrical relief valve incl. item 3, 4, 5	155G5013				1
		155G5025			1	
3*	O-ring 29.82 × 2.62 [1.18 × 0.10 in]	633B0069			1	1
4*	Back-up ring 27.0 × 2.0 [1.06 × 0.08 in]	633B0068			1	1
5*	O-ring 26.7 × 1.78 [1.05 × 0.07 in]	633B0070			1	1
6	Spring	155G5332			1	1
7	Orifice M5 × Ø0.5 [0.2 × 0.02 in]	155G5318	2		2	2
8	Spool	155G5311	1		1	1
9	Plug	631X2040		1		
10*	O-ring 30 × 3 × 2.4 [1.18 × 0.09 in]	633B1441	1	1		
11	Insert incl. item 9, 10	155G5041		1		
12	Plastic plug	633X7018				
13	Nut	155G5404	2			
14	Bushing	155G5403	1			
15*	Back-up ring	155G2316	1			
16*	O-ring 25.3 × 2.4 [1.0 × 0.09 in]	633B1440	1			
17	Spool	155G5405	1			
18	Cone	155G5406	1			
19	Seat	155B4478	1			
20	Spring	155G3317	1			
*	Set of seals	155G8527			1	1
		155G8526	1			

**PVB,  
BASIC MODULE**



155B452.10

**PVB,  
BASIC MODULE**

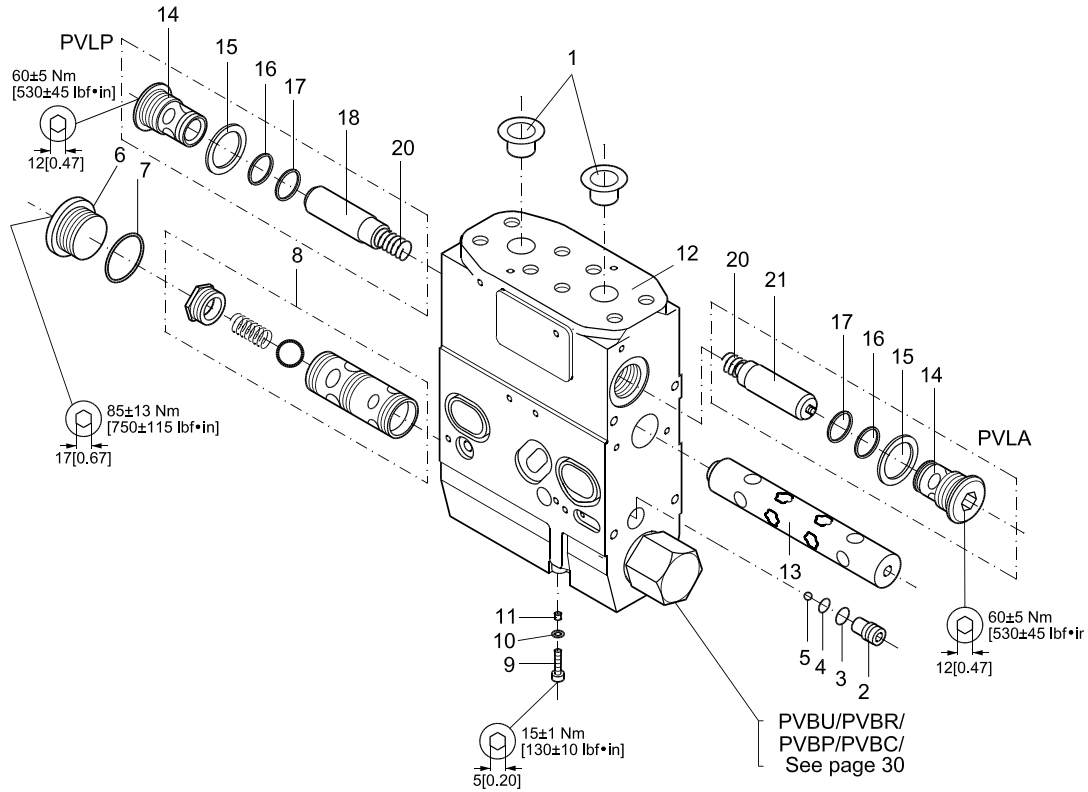
SAE, UNC SAE flange mounting thread $3/8$ - 16 UNC	Code No.
PVB high	155G6007
PVB low	155G6016

SUN O-ring Boss port connection $1\ 1/16$ - 12 UN	Code No.
PVB high	155G6006
PVB low	155G6015

With SAE flange mounting thread M 12 x 17 deep	Code No.
PVB high	155G6005
PVB low	155G6014

Item	Description	Code No.			
1	Plastic plug	633X1029	2		2
		633X7027		2	
2	Plug	155B6508	1	1	1
3*	O-ring $8.0 \times 2.0$ [0.35 $\times$ 0.08 in]	633B1056	1	1	1
4*	O-ring $6.0 \times 2.0$ [0.24 $\times$ 0.08 in]	633B1460	1	1	1
5	Ball $\varnothing 6.0$ [0.24 in]	689X1007	1	1	1
6	Plug	631X2040	1	1	1
7*	O-ring $30.3 \times 2.4$ [1.19 $\times$ 0.09 in]	633B1441	1	1	1
8	Compensating spool	155G8530	1	1	1
9	Screw M6 $\times$ 10 [0.24 $\times$ 0.39 in]	681X1607	1	1	1
10	Bonded seal $6.7 \times 1.0$ [0.26 $\times$ 0.04 in]	633B9008	1	1	1
11	Orifice M6 $\times$ $\varnothing 0.6$ [0.24 $\times$ 0.02 in]	155B8316	1	1	1
12	PVB housing	-	1	1	1
13	Main spool	-	1	1	1
*	Set of seals	155G8502	1	1	1

**PVLP / PVLA,  
SHOCK AND SUCTION VALVE PORT A/B**



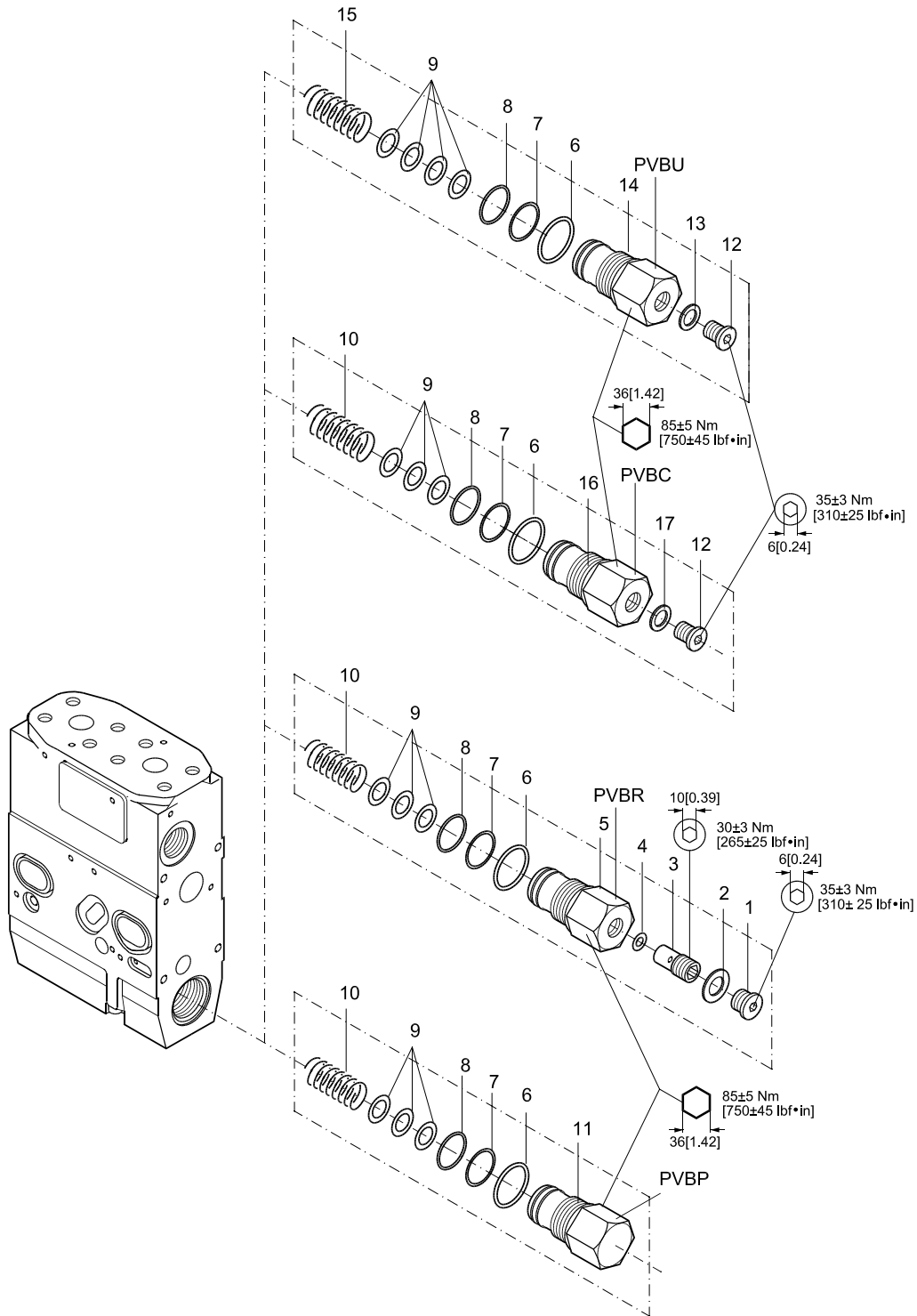
155B452.10

**PVLP / PVLA,  
SHOCK AND SUCTION VALVE PORT A/B**

Type	Code No.
PVLP, setting pressure 50, 75, 100, 125, 175, 200, 225, 250, 275, 300, 325, 350, 375, 400 bar	155G0....
PVLP, setting pressure 725, 1087, 1450, 1813, 2538, 2900, 3263, 3625, 3988, 4351, 4713, 5076, 5438, 5801 psi	155G0....
PVLA	155G1065

Item	Description	Code No.		
14	Plug	155G1386	1	1
15*	Back-up ring	633B0014	1	1
16*	Back-up ring	633B0016	1	1
17*	O-ring 20.35 x 1.78 [0.80 x 0.07 in]	633B0015	1	1
18	PVLP 50 bar [725 psi]	155G0051		1
	PVLP 75 bar [1087 psi]	155G0076		1
	PVLP 100 bar [1450 psi]	155G0101		1
	PVLP 125 bar [1813 psi]	155G0126		1
	PVLP 150 bar [2175 psi]	155G0151		1
	PVLP 175 bar [2538 psi]	155G0176		1
	PVLP 200 bar [2900 psi]	155G0201		1
	PVLP 225 bar [3263 psi]	155G0226		1
	PVLP 250 bar [3625 psi]	155G0251		1
	PVLP 275 bar [3988 psi]	155G0276		1
	PVLP 300 bar [4351 psi]	155G0301		1
	PVLP 325 bar [4713 psi]	155G0326		1
	PVLP 350 bar [5076 psi]	155G0351		1
	PVLP 375 bar [5438 psi]	155G0376		1
PVLP 400 bar [5801 psi]	155G0401		1	
19	Plastic plug to protect cartridge	633X0053		1
20	Spring	155G1387	1	1
21	PVLA	155G1066	1	
*	Set of seals	155G8525	1	1

**PVBP, PVBR, PVBC, PVBU  
ACCESSORIES FOR PVB**



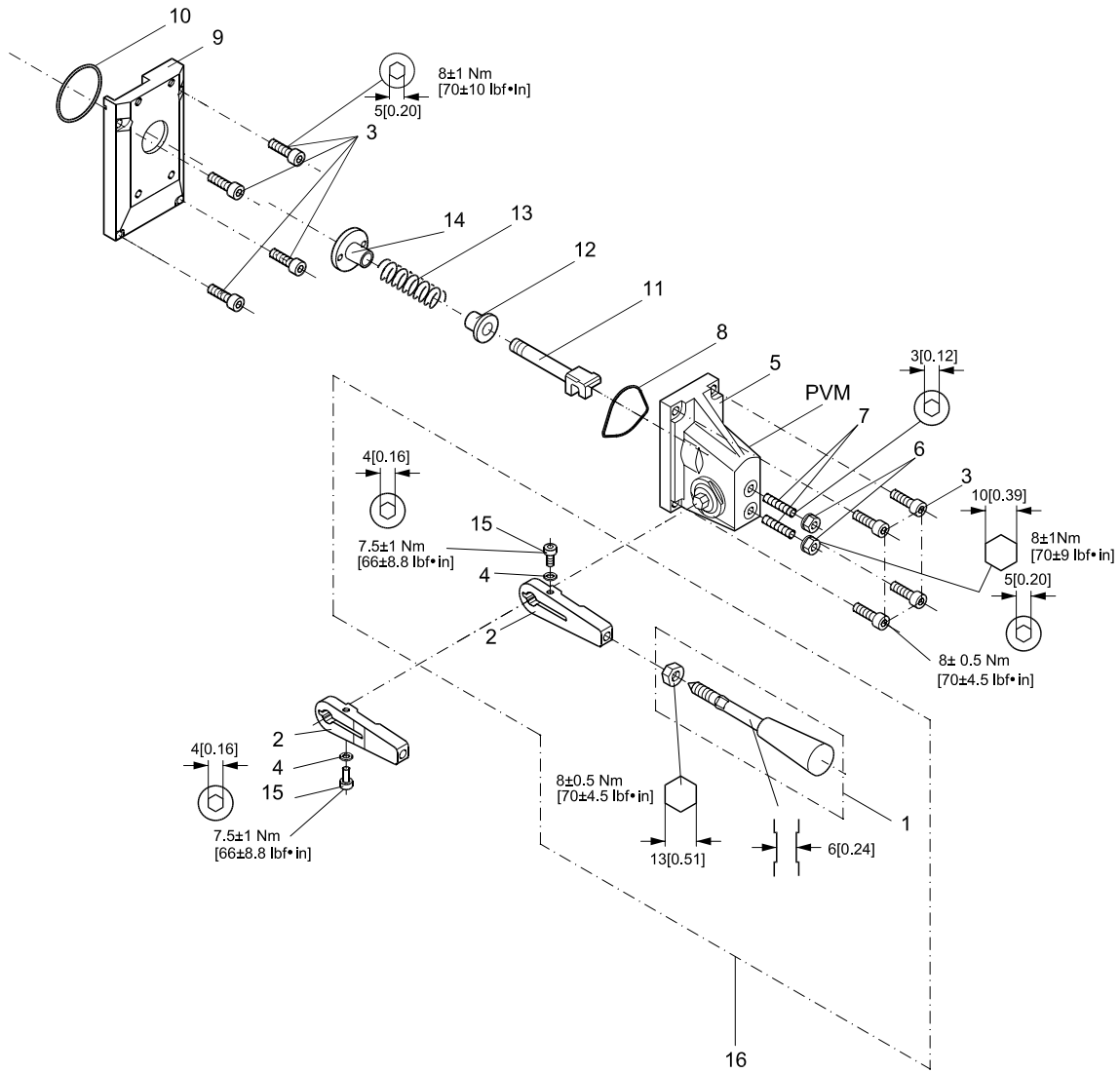
155B453.10

**PVBP, PVBR, PVBC, PVBU ACCESSORIES**

Type	Code No.
PVBU - uprating kit for PVB	155G6035
PVBR - LSA/B relief valve	155G6080
PVBP - plug	155G6081
PVBC - connection for external LS-signal	155G6082

Item	Description	Code No.				
1	Plug	155G5325			1	
2*	O-ring 13.3 × 2.4 [0.52 × 0.09 in]	633B1462			1	
3	Relief valve incl. item 4	155G8561			1	
4*	Washer 7.0 × 14.0 × 1.5 [0.28 × 0.55 × 0.06 in]	684X2367			1	
5	Plug	155G2313			1	
6*	O-ring 30.3 × 2.4 [1.19 × 0.09 in]	633B1441	1	1	1	1
7*	Back-up ring	155G2316	1	1	1	1
8*	O-ring 25.3 × 2.4 [1.0 × 0.09 in]	633B1440	1	1	1	1
9	Adjustment disc.	155G2315	3	3	3	4
10	Spring	155G2317	1	1	1	
11	Plug	155G2322		1		
12	Plug	631X2036	1			1
13	Bonded seal 14.7 × 1,5 [0.58 × 0.06 in]	633B9017				1
14	Plug	155G2323				1
15	Spring	155G2324				1
16	Plug	155G2319	1			
17	Washer 13.5 × 17.5 × 1.5 [0.53 × 0.69 × 0.06 in]	684X2120	1			
*	Set of seals	155G8502	1	1	1	1

**PVM,  
MECHANICAL ACTIVATING MODULE**



155B571.10



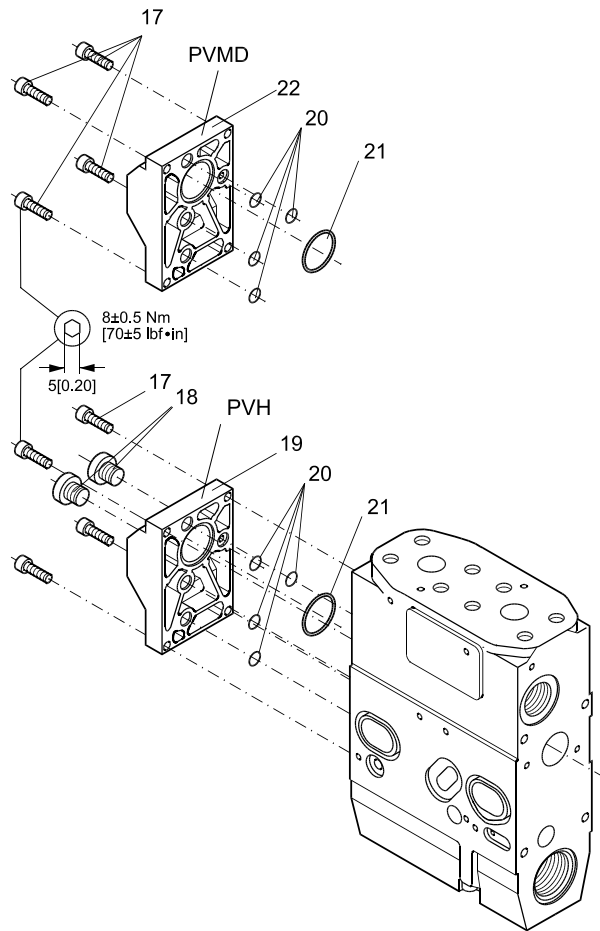
**PVM,  
MECHANICAL ACTIVATING MODULE**

Type		Code No.
PVM + PVMD	22.5°	155G3040
PVM + PVE	37.5°	155G3041
PVM + PVH	22.5°	155G3050
	37.5°	155G3051

Item	Description	Code No.				
1	Lever	155L3151	1	1	1	1
2	Base	22.5°	155L3450		1	1
		37.5°	155L3451	1		1
3	Screw M6 × 20 [0.24 × 0.78 in]	681X9266	8	8	8	8
4	Washer	684X0075	1	1	1	1
5	PVM housing	155L3431	1	1	1	1
6*	Seal nut M6	681X8270	2	2	2	2
7	Threaded pin M6 × 25 [0.80 × 0.07 in]	681X0323	2	2	2	2
8*	Profile O-ring	155L3430	1	1	1	1
9	Intermediate plate	155G3301	1	1	1	1
10*	O-ring 42.0 × 2.0 [1.65 × 0.08 in]	633B1005	1	1	1	1
11	Spool control pin	155G3313	1	1	1	1
12	Stop	155G3314	1	1	1	1
13	Spring	155G3317			1	1
		155G3316	1	1		
14	Stop	155G3315	1	1	1	1
15	Screw	681X9289	1	1	1	1
16	Base (22.5°) and activation bar with knob and nut	155L3154				
*	Set of seals	155G8518				

**PVMD,  
COVER FOR PVM**

**PVH, HYDRAULIC  
ACTIVATION**



155B519.10

**PVMD,  
COVER FOR PVM**

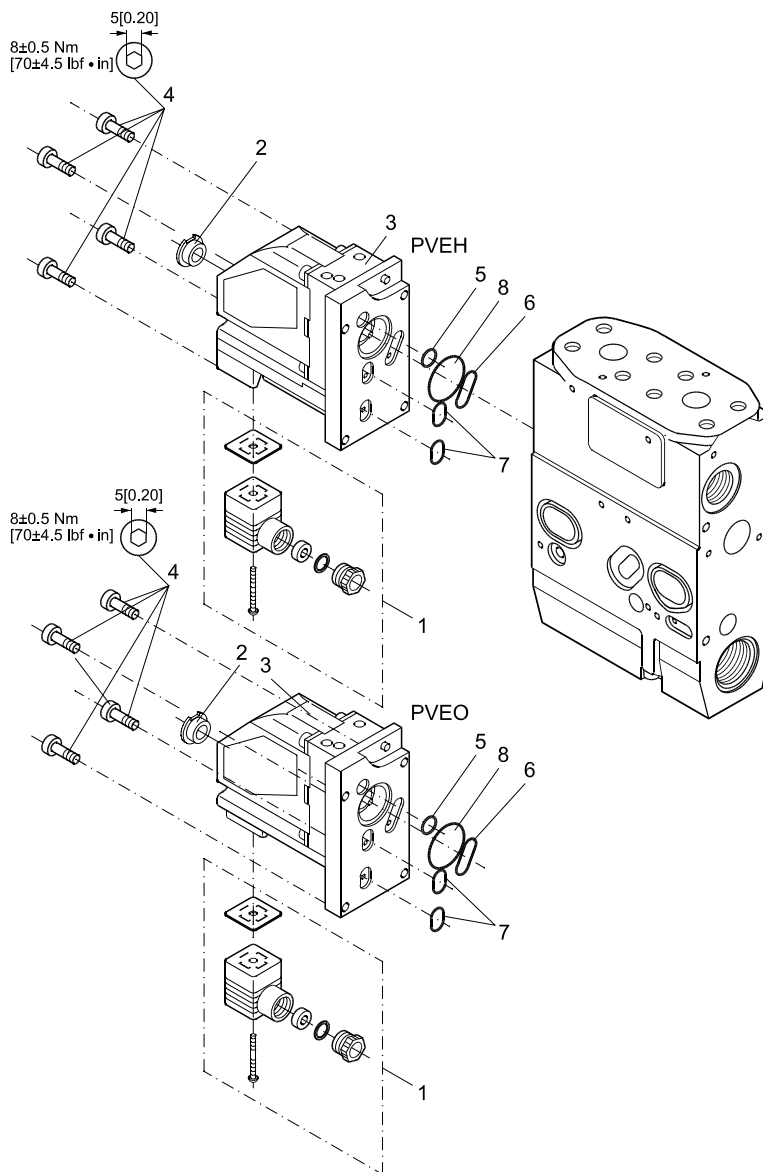
**PVH, HYDRAULIC  
ACTIVATION**

Type	Code No.
PVM + PVH assy - UNF	155G4021
PVH assy - BSP.F - thread	155G4022
PVMD assy	155G4061

Item	Description	Code No.			
17	Screw M6 × 25 [0.80 × 0.07 in]	681X1198	4	4	4
18	Plastic plug	633X7018		2	
		633X0018			2
19	Cover	155G4301		1	
		155G4201			1
20*	O-ring 6.0 × 2.0 [0.24 × 0.78 in]	633B1460	4	4	4
21*	O-ring 27.0 × 2.0 [1.06 × 0.78 in]	633B0407	1	1	1
22	Cover	155G4402	1		
*	Set of seals	155G8505	1	1	1

**PVEH,  
ELECTRICAL ACTIVATING  
MODULE**

**PVEO,  
ELECTRICAL ACTIVATING  
MODULE, ON-OFF**



155B520.10

**PVEH,  
ELECTRICAL ACTIVATING MODULE**

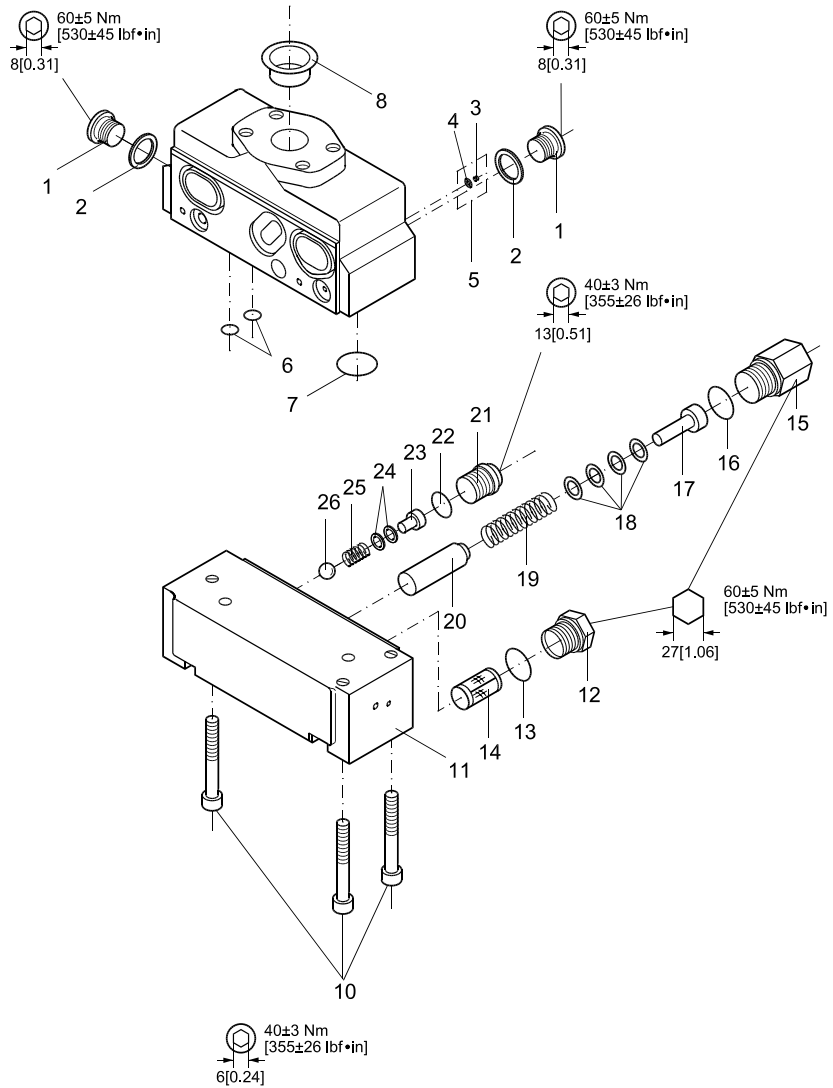
**PVEO,  
ELECTRICAL ACTIVATING MODULE, ON-OFF**

Type		Code No.			
PVEH Fault monitoring active	12 V	155G4072	}	}	}
	24 V	155G4074			
PVEH Fault monitoring passive	12 V	155G4172	}	}	}
	24 V	155G4174			
PVEO	12 V	155G4272	}	}	}
	24 V	155G4274			

Item	Description	Code No.			
1	El. plug DIN 43650 Grey PG 11	984L3286		1	1
	El. plug DIN 43650 Black PG 9	984L3156	1		
2	Plastic plug	155U2779		1	1
3	PVEH assy	-			1
	PVEH assy. with passive fault monitoring	-		1	
	PVEO assy	-	1		
4	Screw M6; l = 15 [0.24 in]	681X9266	4	4	4
5*	O-ring 7.0 × 2.0 [0.28 × 0.78 in]	633B1148	1	1	1
6*	O-ring 15.0 × 2.0 [0.59 × 0.78 in]	633B1030	1	1	1
7*	O-ring 10.0 × 2.0 [0.39 × 0.78 in]	633B1267	2	2	2
8*	O-ring 27.0 × 2.0 [1.06 × 0.78 in]	633B0407	1	1	1
*	Set of seals	155G8519	1	1	1

**PVT,  
TANK SIDE MODULE –  
UPPER PART**



155B458.10

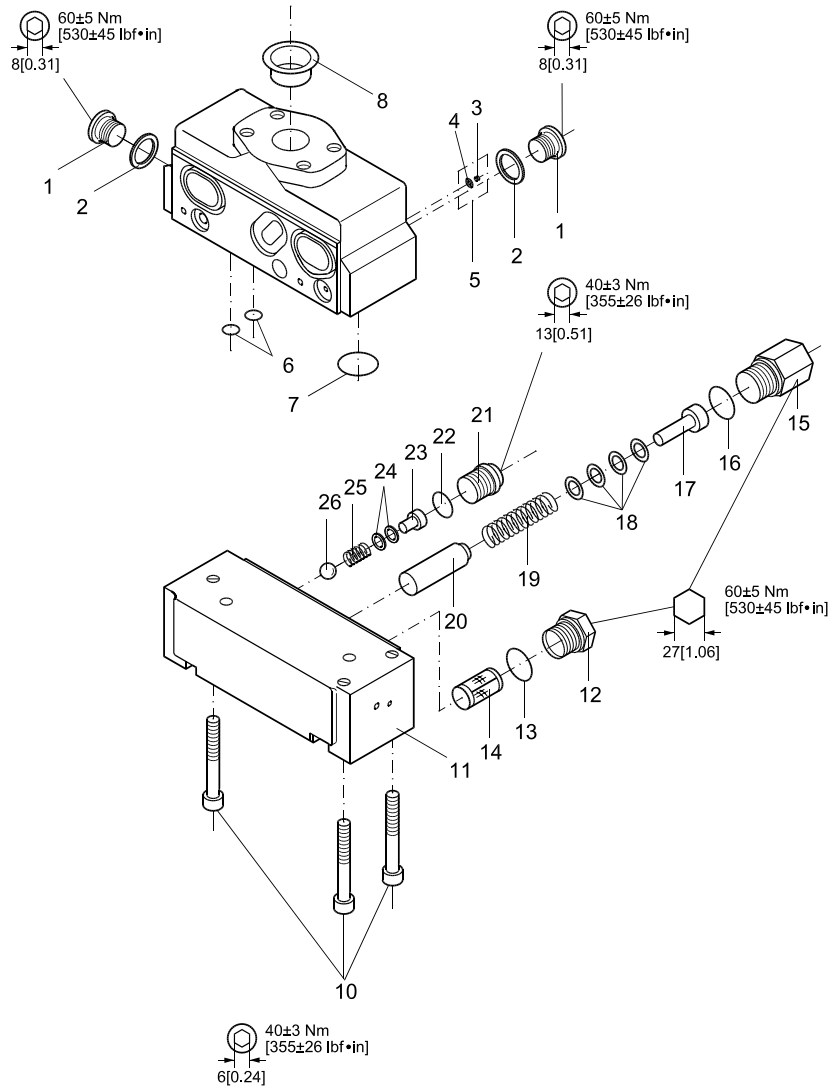
**PVT,  
TANK SIDE MODULE – UPPER PART**

With LX-connection	Code No.
PVT, SAE UNF, mounting thread $\frac{3}{8}$ in - 16 UNC	155G7025
PVT, Boss port connection $1\frac{5}{16}$ in - 12 UN	155G7024
PVT, SAE flange, mounting thread M10 × 23 deep	155G7023

Without LX-connection	Code No.
PVT, SAE UNF, mounting thread $\frac{3}{8}$ in - 16 UNC	155G7022
PVT, Boss port connection $1\frac{5}{16}$ in - 12 UN	155G7021
PVT, SAE flange, mounting thread M10 × 23 deep	155G7020

Item	Description	Code No.							
1	Plug	631X2038	2			2			
		631X9716		2	2		2	2	
2*	Bonded seal 17.4 x 1.5 [0.69 x 0.06 in]	633B9018	2			2			
	O-ring 16.36 x 2.21 [0.64 x 0.09 in]	633B0046		2	2		2	2	
3**	Screw M5; l = 6 [0.2 in]	681X1925					1	1	1
4**	Bonded seal 5.7 x 1.0 [0.22 x 0.04 in]	633B9029					1	1	1
5**	Plug (item 3 and 4)	155G8555							
6*	O-ring 10.0 x 2.0 [0.39 x 0.08 in]	633B1461	2	2	2	2	2	2	2
7*	O-ring 24.0 x 2.0 [0.94 x 0.08 in]	633B1428	1	1	1	1	1	1	1
8	Plastic plug	633X1028	1		1	1			1
		633X0019		1				1	
9	Tank part assy	-	1	1	1	1	1	1	1
*	Set of seals	155G8507	1	1	1	1	1	1	1
**	Used only when load signal is carried to LX-port	155G8555	1	1	1	1	1	1	1

**PVT,  
TANK SIDE MODULE –  
LOWER PART**



155B458.10



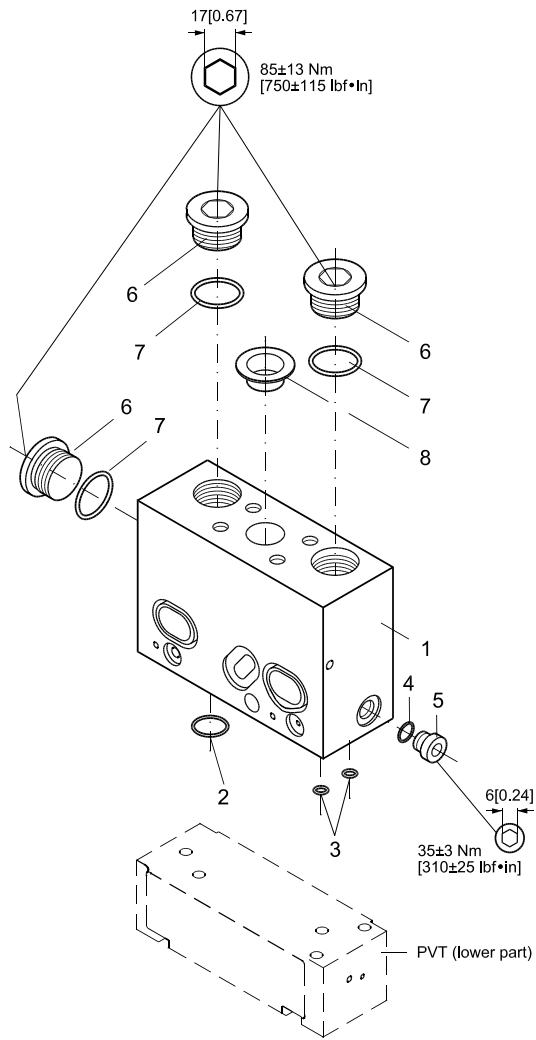
**PVT,  
TANK SIDE MODULE – LOWER PART**

UNC	Code No.
PVT with pilot supply for PVE	155G7042
PVT without pilot supply for PVE	155G7062

BSP.F. thread	Code No.
PVT with pilot supply for PVE	155G7040
PVT without pilot supply for PVE	155G7060

Item	Description	Code No.				
10	Screw M8 x 60 [0.31 x 2.36 in]	681X1146	3	3	3	3
11	Tank part assy	-	1	1	1	1
12	Plug	155G7372		1		1
13*	O-ring 17.5 x 2.4 [0.69 x 0.09 in]	633B1335		1		1
14*	Filter	155B4056		1		1
15	Plug	155G7373		1		1
16*	O-ring 19.3 x 1.5 [0.76 x 0.06 in]	633B1136		1		1
17	Stop	155G7376		1		1
18	Washer 10.0 x 16.0 x 0.5 [0.39 x 0.63 x 0.02 in]	684X2094		4		4
19	Spring	155G7375		1		1
20	Spool	155G7374		1		1
21	Plug	155L1373		1		1
22*	O-ring 16.0 x 1.5 [0.63 x 0.06 in]	633B1813		1		1
23	Stop	155G7382		1		1
24	Washer 7.4 x 11.5 x 1.0 [0.29 x 0.45 x 0.04 in]	684X2547		2		2
25	Spring	155G7381		1		1
26	Ball	689X1040		1		1
*	Set of seals	155G8524		1		1
	Kit for hydraulic activation	155G7041		1		1

**PVGI,  
INTERFACE,  
PVG 120 AND PVG 32**



155B459.10

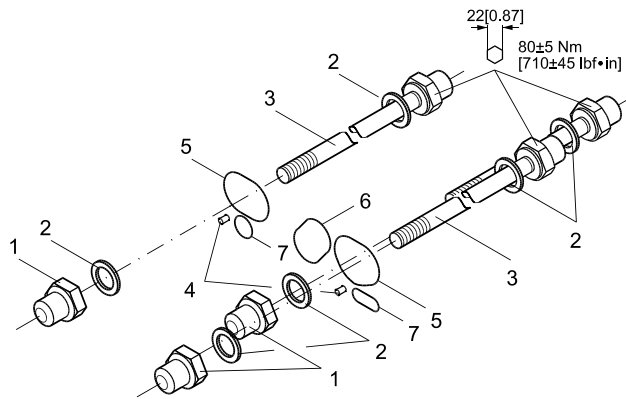
**PVGI,  
COMBINATION MODULE PVG 120 AND PVG 32**

Type	Code No.
PVGI assy 1"SAE flange, M10	155G7033
PVGI sddy 1 <sup>5/16</sup> in - 12 UN	155G7031
PVGI assy 1"SAE flange, <sup>3/8</sup> in - 16 UNC	155G7032

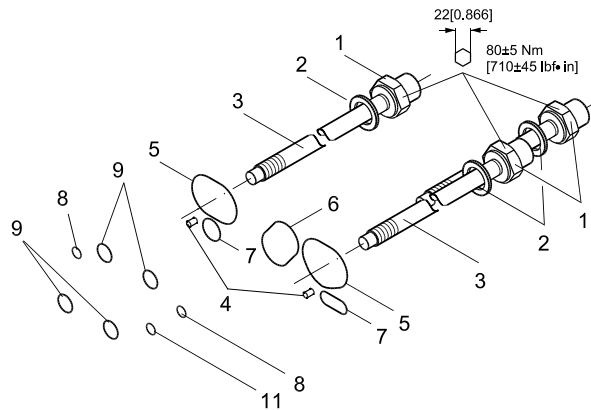
Item	Description	Code No.			
1	Combination module	-	1	1	1
2	O-ring 24.0 × 2.0 [0.94 × 0.08 in]	633B1428	1	1	1
3	O-ring 10.0 × 2.0 [0.39 × 0.08 in]	633B1461	2	2	2
4	Bonded seal 14.7 × 1.5 [0.58 × 0.06 in]	633B9017	1	1	1
5	Plug	G <sup>1/4</sup>	631X2036		1
		<sup>1/2</sup> - 20 UNF	155L6405	1	1
6	Plug	631X2040	3	3	3
7	O-ring 30.3 × 2.4 [1.19 × 0.08 in]	633B1441	3	3	3
8	Plastic plug	633X1028	1		1
		633X0019		1	

**PVAS,  
ASSEMBLY KIT**



155B460.10

**PVGI,  
ASSEMBLY KIT**



155B474.10

**PVGI,  
ASSEMBLY KIT**

Type	Code No.
PVGI for 0 basic module	155G8040
PVGI for 1 basic module	155G8041
PVGI for 2 basic module	155G8042
PVGI for 3 basic module	155G8043
PVGI for 4 basic module	155G8044

**PVAS,  
ASSEMBLY KIT**

Type	Code No.
PVAS for 1 basic module	155G8031
PVAS for 2 basic module	155G8032
PVAS for 3 basic module	155G8033
PVAS for 4 basic module	155G8034
PVAS for 5 basic module	155G8035
PVAS for 6 basic module	155G8036
PVAS for 7 basic module	155G8037
PVAS for 8 basic module	155G8038

Item	Description	Code No.																					
1	Nut	155G8312	3	3	3	3	3	3	3	3	3	3	3	3	3	3	3	3	3	3			
2* / 2**	Bonded seal 17.4 x 1.5 [0.69 x 0.06 in]	633B9018	6	6	6	6	6	6	6	6	6	6	6	6	6	6	6	6	6	6			
3	Stay bolt M12 [0.47]; l = 234 [9.21 in]	155G8201													3								
	Stay bolt M12 [0.47]; l = 302 [11.89 in]	155G8202												3									
	Stay bolt M12 [0.47]; l = 369 [14.53 in]	155G8203												3									
	Stay bolt M12 [0.47]; l = 436 [17.17 in]	155G8204												3									
	Stay bolt M12 [0.47]; l = 503 [19.80 in]	155G8205													3								
	Stay bolt M12 [0.47]; l = 571 [22.48 in]	155G8206														3							
	Stay bolt M12 [0.47]; l = 638 [25.12 in]	155G8207															3						
	Stay bolt M12 [0.47]; l = 705 [27.76 in]	155G8208																3					
	Stay bolt M12 [0.47]; l = 124.5 [4.90 in]	155G8330																			3		
	Stay bolt M12 [0.47]; l = 192.5 [7.58 in] PVGI	155G8331																				3	
	Stay bolt M12 [0.47]; l = 260.5 [10.24 in] PVGI	155G8332																					3
	Stay bolt M12 [0.47]; l = 328.5 [12.93 in] PVGI	155G8333																					3
Stay bolt M12 [0.47]; l = 396.5 [15.61 in] PVGI	155G8334																					3	
4* / 4**	Pin	682L2006	18	16	14	12	10	8	6	4	10	8	6	4	2								
5* / 5**	O-ring 33.3 x 2.4 [1.31 x 0.09 in]	633B1029	18	16	14	12	10	8	6	4	10	8	6	4	2								
6* / 6**	O-ring 28.24 x 2.62 [1.118 x 0.10 in]	633B1956	9	8	7	6	5	4	3	2	5	4	3	2	1								
7* / 7**	O-ring 11.91 x 2.62 [0.47 x 0.10 in]	633B1955	18	16	14	12	10	8	6	4	10	8	6	4	2								
8	O-ring 5.0 x 2.0 [0.20 x 0.08 in]	633B1809														2	2	2	2	2	2		
9	O-ring 16.0 x 2.5 [0.63 x 0.10 in]	633B1817														4	4	4	4	4	4		
11	O-ring 10.0 x 2.5 [0.39 x 0.10 in]	633B0120														1	1	1	1	1	1		
*	Set of seals first PVG section	155G8522	1	1	1	1	1	1	1	1	1	1	1	1	1	1	1	1	1	1	1		
**	Set of seals for additional sections	155G8523	7	6	5	4	3	2	1		3	2	1										





PVG 120 Proportional Valve  
Service Parts Manual  
Notes

**NOTES**

## OUR PRODUCTS

Hydrostatic transmissions  
Hydraulic power steering  
Electric power steering  
Closed and open circuit axial piston pumps and motors  
Gear pumps and motors  
Bent axis motors  
Radial piston motors  
Orbital motors  
Transit mixer drives  
Planetary compact gears  
Proportional valves  
Directional spool valves  
Cartridge valves  
Hydraulic integrated circuits  
Hydrostatic transaxles  
Integrated systems  
Fan drive systems  
Electrohydraulic controls  
Digital electronics and software  
Battery powered inverter  
Sensors

## Sauer-Danfoss Hydraulic Power Systems – Market Leaders Worldwide

Sauer-Danfoss is a comprehensive supplier providing complete systems to the global mobile market.

Sauer-Danfoss serves markets such as agriculture, construction, road building, material handling, municipal, forestry, turf care, and many others.

We offer our customers optimum solutions for their needs and develop new products and systems in close cooperation and partnership with them.

Sauer-Danfoss specializes in integrating a full range of system components to provide vehicle designers with the most advanced total system design.

Sauer-Danfoss provides comprehensive worldwide service for its products through an extensive network of Authorized Service Centers strategically located in all parts of the world.

Sauer-Danfoss (US) Company  
2800 East 13th Street  
Ames, IA 50010, USA  
Phone: +1 515 239-6000, Fax: +1 515 239-6618

Sauer-Danfoss (Neumünster) GmbH & Co. OHG  
Postfach 2460, D-24531 Neumünster  
Krokamp 35, D-24539 Neumünster, Germany  
Phone: +49 4321 871-0, Fax: +49 4321 871-122

Sauer-Danfoss (Nordborg) A/S  
DK-6430 Nordborg, Denmark  
Phone: +45 7488 4444, Fax: +45 7488 4400

[www.sauer-danfoss.com](http://www.sauer-danfoss.com)