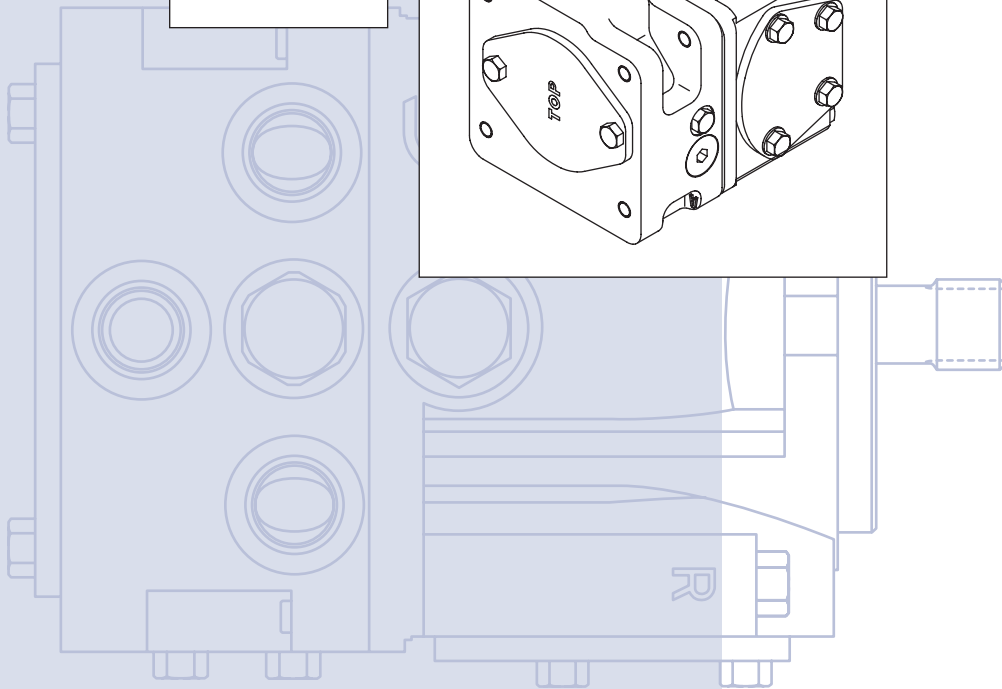
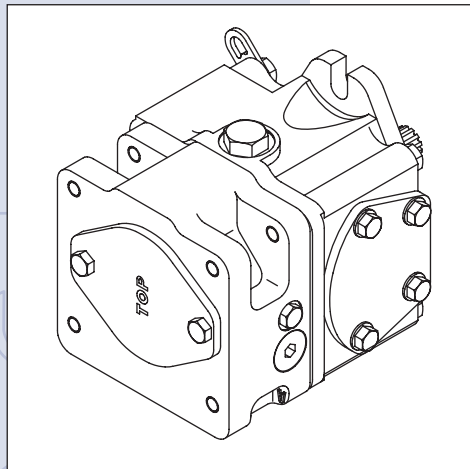
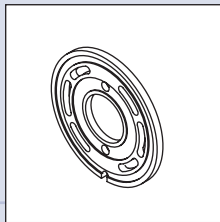
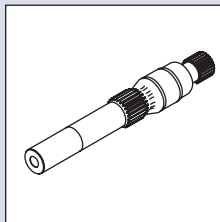
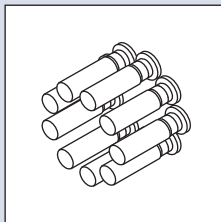




Series 40  
M25 Axial Piston  
Pump

Service Parts  
Manual





## Series 40 M25 Axial Piston Pump Service Parts Manual

© 1996, 2004 Sauer-Danfoss. All rights reserved. Printed in U.S.A.

Sauer-Danfoss accepts no responsibility for possible errors in catalogs, brochures and other printed material. Sauer-Danfoss reserves the right to alter its products without prior notice. This also applies to products already ordered provided that such alterations aren't in conflict with agreed specifications. All trademarks in this material are properties of their respective owners. Sauer-Danfoss and the Sauer-Danfoss logotype are trademarks of the Sauer-Danfoss Group.

Front cover illustrations: P100 606, P100 607, P100 608, P100 609

|                                       |   |       |
|---------------------------------------|---|-------|
| <b>GENERAL INFORMATION</b>            | Service parts identification.....       | 4     |
|                                       | Nameplate .....                         | 4     |
|                                       | Date code.....                          | 5     |
|                                       | Service bulletins .....                 | 5     |
|                                       | Procedure to identify a part .....      | 5     |
|                                       | Order code.....                         | 7     |
|                                       |   |       |
| <b>VARIABLE<br/>DISPLACEMENT PUMP</b> | Common parts .....                      | 8-9   |
|                                       | Swashplate .....                        | 8-9   |
|                                       | Input shaft .....                       | 8-9   |
|                                       | Rotation .....                          | 10-11 |
|                                       | Charge pressure setting.....            | 10-13 |
|                                       | System pressure protection .....        | 12-15 |
|                                       | Control .....                           | 14-15 |
|                                       | Auxiliary mounting.....                 | 14-15 |
|                                       | Special hardware .....                  | 14-15 |
|                                       | Overhaul seal kit.....                  | 15    |
|                                       |   |       |
| <b>SERVICE BULLETIN</b>               | SB-1996-010 (swashplate shimming) ..... | 16    |
|                                       | SB-1996-014 (SCR valve) .....           | 17-18 |
|                                       | SB-2000-026 (trunnion seal change)..... | 19    |

**SERVICE PARTS  
 IDENTIFICATION**

The following information and procedure is used to identify the module group, item number, manufacture date, part number, and part name of the parts included in the Series 40, M25 variable displacement pumps.

The parts listed include all parts which may be used when performing either "Minor Repairs," "Major Repairs" or "Conversions" on the Series 40, M25 pump.

**NAMEPLATE**

Each unit will have a nameplate affixed to the housing. The nameplate will include the following information.

**Model Code**

The Sauer-Danfoss model code completely defines the specific unit and must be used when ordering parts to service this product.

**Model Number**

The Sauer-Danfoss model number is used by the factory in manufacturing. On repeat orders, a complete unit can be ordered by the model number.

**Serial Number**

The Sauer-Danfoss serial number is used to identify the manufacture date and the unit sequence in the build. The serial number is also used to identify the units warranty time period.

The letter code indicates the location of original manufacture (assembly). "K" indicates the unit was originally assembled in Lawrence, Kansas, USA.

The first number (2 digits) indicates the year of manufacture. ("01" would indicate the unit was manufactured in 2001)

The second number (2 digits) indicates the calendar week of manufacture.

The third number (5 digits) is a sequential number used to identify a specific unit.



## DATE CODE

The date code is defined as the year and week of manufacture. The same item number may list more than one part number. This indicates that there is more than one configuration for that item number. You will see that there are different date codes for the different part numbers. Find the date code of your unit from the nameplate to determine which service part number you need to order.

EXAMPLE: The service part desired is Item C01

| Order Code | Item | Date Begin | Date End | Part Number | Part Name                    | Qty. per Model/Kit |
|------------|------|------------|----------|-------------|------------------------------|--------------------|
| B          | C01  | 96-21      |          | 4250102     | Swashplate                   | 1                  |
|            | "    | 92-07      | 96-20    | 4510126     | Swashplate kit (SB-1996-010) | 1                  |

All units using this order code with a date code of 92-07 and up to and including 96-20, must use part number "4510126". All units with a date code of 96-21 and newer must use part number "4250102".

## SERVICE BULLETINS

A Service Bulletin Number (SB-\_\_\_\_ - \_\_\_\_) may follow the "Part Name" of the part you desire. You must read that Service Bulletin prior to ordering that part. The information contained in these Service Bulletins, as of the print date of this bulletin, are included at the end of this manual. Service Bulletins contain more detailed information such as interchangeability, what additional parts are involved, etc. It is suggested that you add additional Service Bulletins to this manual as you receive them.

## PROCEDURE TO IDENTIFY A PART

### General

The modular design of Series 40 units results in a simplified service parts list and part number identification procedure.

The same item numbers are used for same part names on all units within a product type. (Example: The lip seal - Item B02 has the same item number on all pumps.)

A part number that has another number following it in parentheses is done to make this a world wide manual. The first number is sold in Germany. The number in parentheses is sold in the United States. (Example: 5000093 (9008000-0132), customers would order 9008000-0132 if ordering the part in the United States.)

### Example of a Part Identification

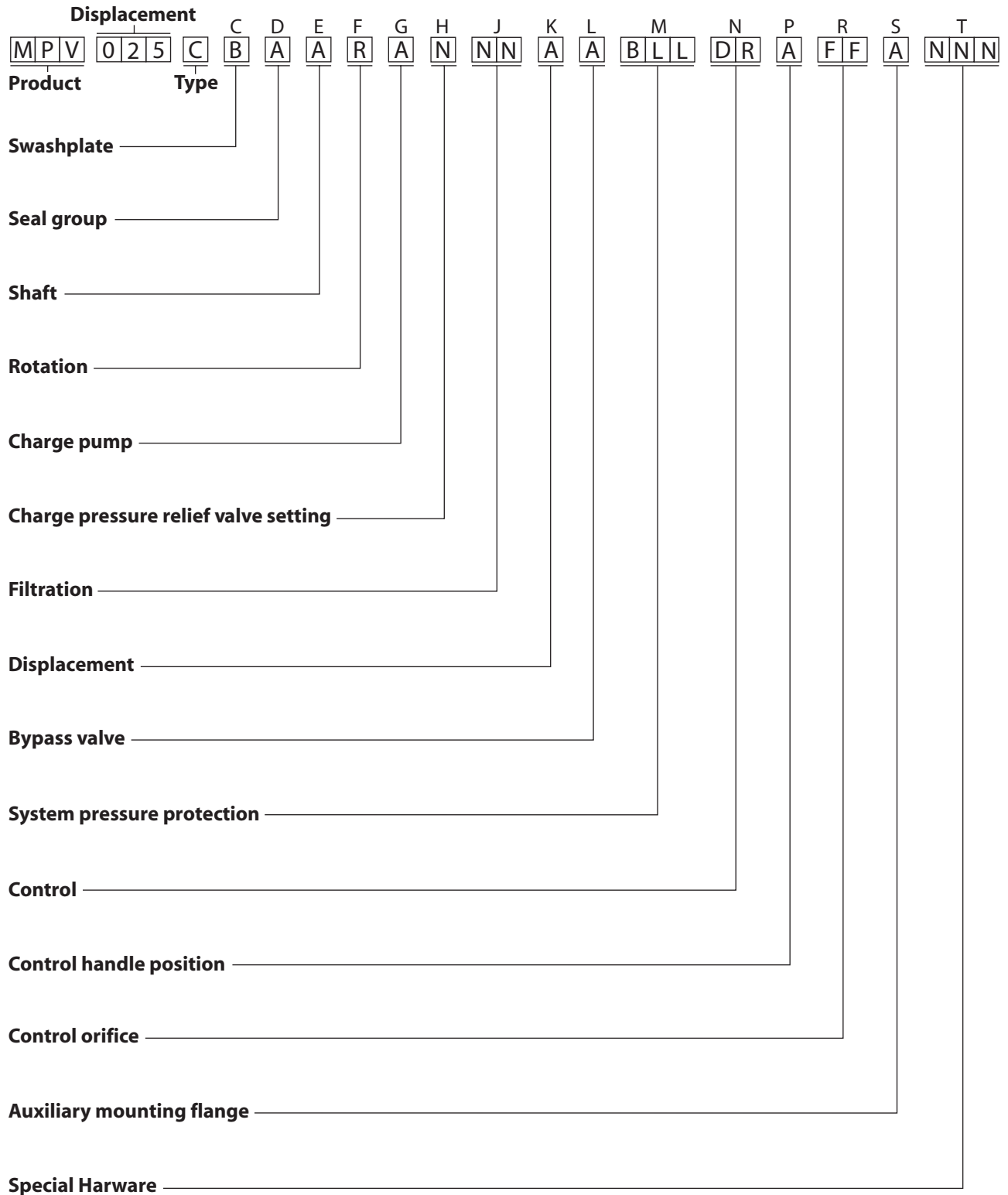
The nameplate on a Series 40 pump has an Order Code of MPV025C B A A R A N N N A A BLL DR A FF A NNN. Use the following procedures to determine the part number of the drive shaft used on this pump.

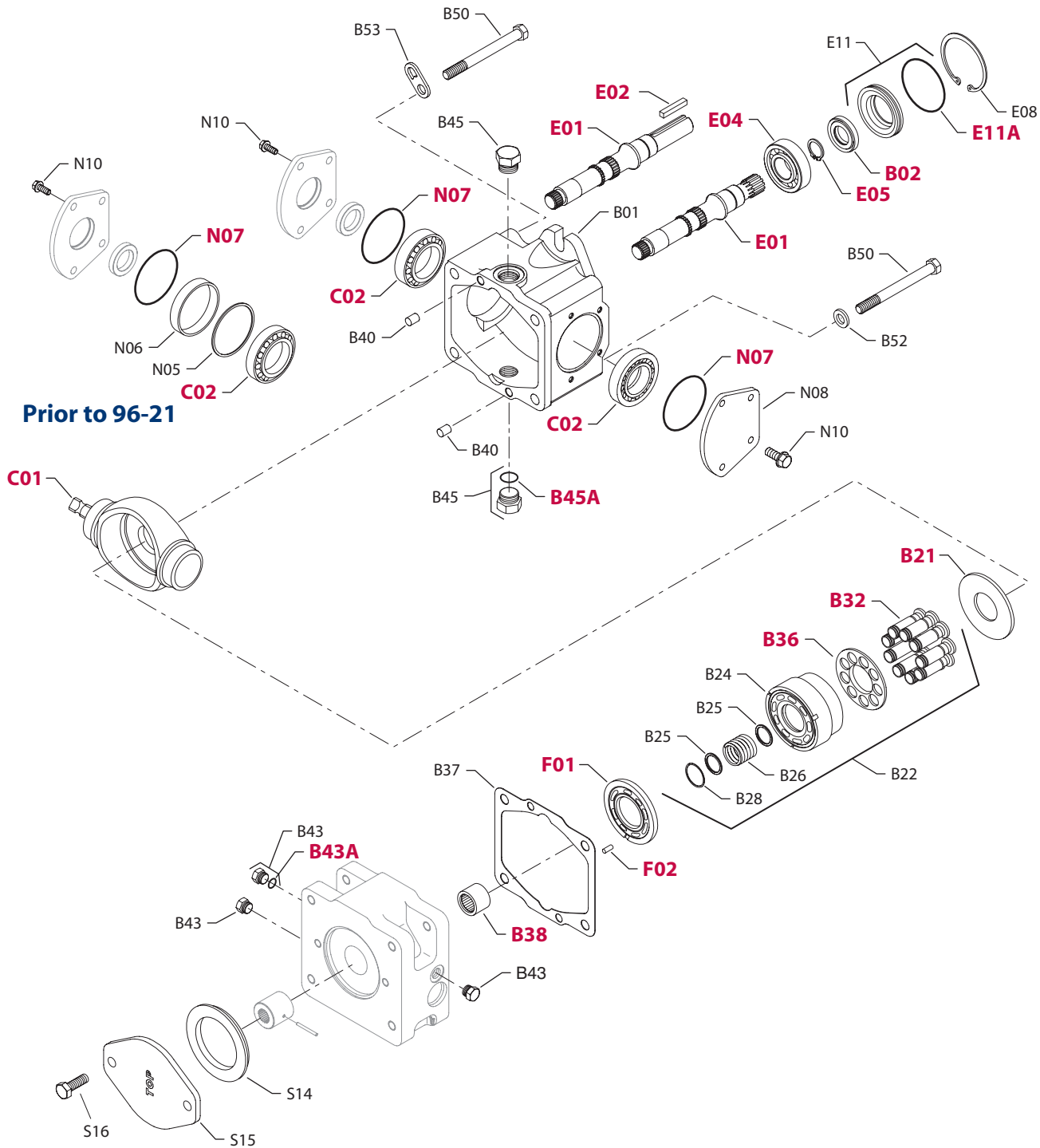
1) Referring to the input shaft module in the Order Code (see page 7), the input shaft option for this pump is identified by the code "A" (MPV025C B A **A** R A N N N A A BLL DR A FF A NNN)

2) Referring to the Service Parts List, find the shaft group. Next find the order code that relates to this unit, which is "A". The shaft is found to be item E01 and part number 4250001.



Series 40 M25 Axial Piston Pump  
Service Parts Manual  
Notes





E100 673E

Enlarged **bold** type item numbers are recommended part to stock for servicing.



### COMMON PARTS

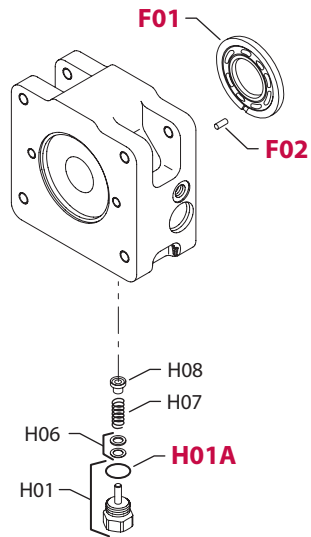
| Order Code | Item | Date Begin | Date End | Part Number           | Part Name             | Qty. per Model/Kit |
|------------|------|------------|----------|-----------------------|-----------------------|--------------------|
|            | B01  | 92-07      |          | 4250152               | Housing               | 1                  |
|            | B02  | 92-07      |          | 500748 (9008000-0132) | Lip seal              | 1                  |
|            | B21  | 92-07      |          | 3103218               | Thrust plate          | 1                  |
|            | B22  | 92-07      |          | 4250062               | Cylinder block kit    | 1                  |
|            | B24  | 92-07      |          | 4250095               | Cylinder block        | 1                  |
|            | B25  | 92-07      |          | 9009625-0106          | Washer                | 2                  |
|            | B26  | 92-07      |          | 3103199               | Spring                | 1                  |
|            | B28  | 92-07      |          | 9006250-0131          | Retaining ring        | 1                  |
|            | B32  | 92-07      |          | 4250127               | Piston assembly       | 9                  |
|            | B36  | 92-07      |          | 3103197               | Slipper retainer      | 1                  |
|            | B37  | 92-07      |          | 4250003               | End cap gasket        | 1                  |
|            | B38  | 92-07      |          | 5000046               | Needle bearing        | 1                  |
|            | B40  | 92-07      |          | 001289 (9004800-3708) | Pin                   | 2                  |
|            | B43  | 92-07      |          | 001511 (9005100-4400) | Plug                  | 3                  |
|            | B43A | 92-07      |          | 001123 (9004201-2500) | O-ring                | 3                  |
|            | B45  | 92-07      |          | 001537 (9005100-8700) | Plug                  | 2                  |
|            | B45A | 92-07      |          | 001149 (9004201-6200) | O-ring                | 2                  |
|            | B50  | 92-07      |          | 9007200-4448          | Screw                 | 4                  |
|            | B52  | 92-07      |          | 002337 (9009611-4778) | Washer                | 3                  |
|            | B53  | 92-07      |          | 006999 (9800999)      | Lifting bracket       | 1                  |
|            | E04  | 92-07      |          | 374447 (9001310-0008) | Ball bearing          | 1                  |
|            | E05  | 92-07      |          | 5000660               | Retaining ring        | 1                  |
|            | E08  | 92-07      |          | 9006200-0256          | Retaining ring        | 1                  |
|            | E11  | 92-07      |          | 4250176               | Seal carrier assembly | 1                  |
|            | E11A | 92-07      |          | 505536 (9004100-0350) | O-ring                | 1                  |
|            | N07  | 92-07      |          | 9004300-1460          | O-ring                | 2                  |
|            | N08  | 92-07      |          | 4250027               | Trunnion cover        | 1                  |
|            | N10  | 97-41      |          | 001909 (9007200-3112) | Screw                 | 8                  |
|            | "    | 92-07      | 97-40    | 516517 (9007276-0135) | Screw                 | 8                  |
|            | S14  | 92-07      |          | 4800482               | A pad seal            | 1                  |
|            | S15  | 92-07      |          | 4460586               | Cover plate           | 1                  |
|            | S16  | 92-07      |          | 9007200-3716          | Screw                 | 2                  |

### SWASHPLATE

|   |     |       |       |                       |                                      |   |
|---|-----|-------|-------|-----------------------|--------------------------------------|---|
| B | C01 | 96-21 |       | 4250102               | Swashplate                           | 1 |
|   | "   | 92-07 | 96-20 | 4510126               | Swashplate kit (SB-1996-010)         | 1 |
|   | C02 | 96-21 |       | 4800470               | Tapered roller bearing               | 2 |
|   | "   | 92-07 | 96-20 | 508996 (9001415-0006) | Tapered roller bearing (SB-1996-010) | 2 |
|   | N05 | 92-07 | 96-20 | 4510026               | Trunnion shim kit (SB-1996-010)      | 2 |
|   | N06 | 92-07 | 96-20 | 4250043               | Spacer (SB-1996-010)                 | 2 |

### INPUT SHAFT

|   |     |       |  |                       |                        |   |
|---|-----|-------|--|-----------------------|------------------------|---|
| A | E01 | 92-07 |  | 4250001               | Shaft, 13 tooth spline | 1 |
| B | E01 | 02-26 |  | 4250161               | Shaft, 20 tooth spline | 1 |
| Y | E01 | 92-07 |  | 4250013               | Shaft, straight key    | 1 |
|   | E02 | 92-07 |  | 509647 (9003261-2524) | Key                    | 1 |



E100 674E

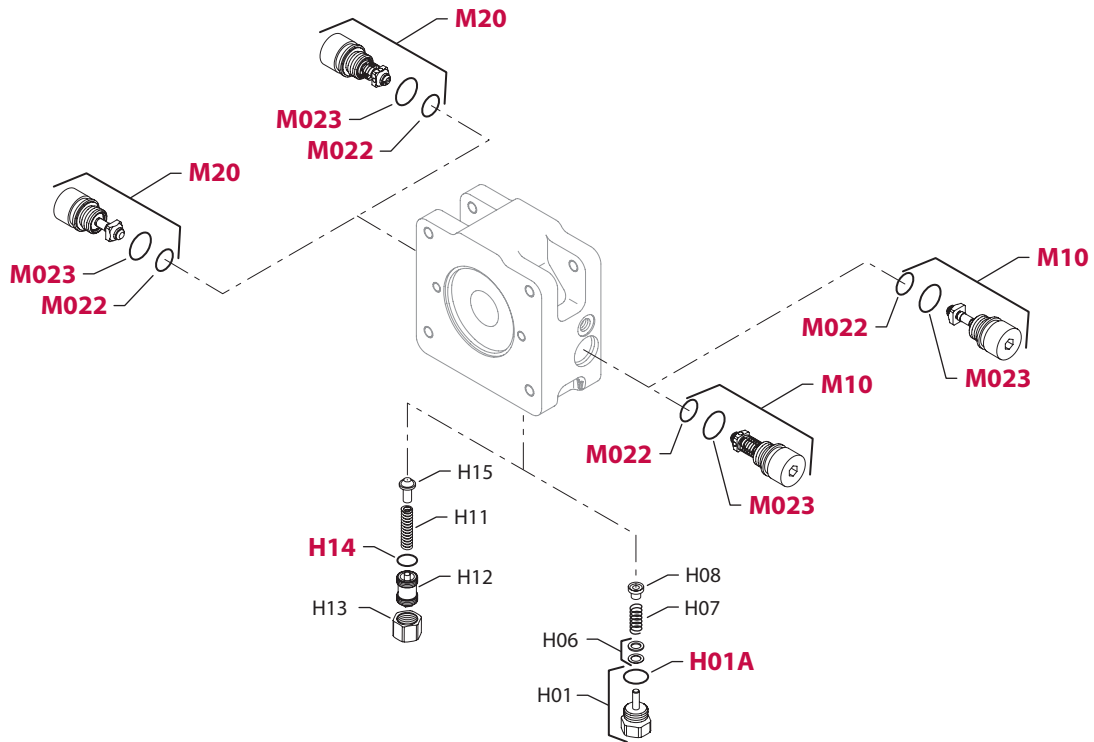
Enlarged **bold** type item numbers are recommended part to stock for servicing.

### ROTATION

| Order Code | Item | Date Begin | Date End | Part Number           | Part Name                 | Qty. per Model/Kit |
|------------|------|------------|----------|-----------------------|---------------------------|--------------------|
| L          | F01  | 92-07      |          | 4250044               | Valve plate, CCW          | 1                  |
|            | F02  | 92-07      |          | 016220 (9004800-1908) | Pin                       | 1                  |
| R          | F01  | 92-07      |          | 4250031               | Valve plate, CW           | 1                  |
|            | F02  | 92-07      |          | 016220 (9004800-1908) | Pin                       | 1                  |
| W          | F01  | 93-22      |          | 4250064               | Valve plate, CW, quiet    | 1                  |
|            | F02  | 93-22      |          | 016220 (9004800-1908) | Pin                       | 1                  |
| Y          | F01  | 93-22      |          | 4250076               | Valve plate, CCW, quiet   | 1                  |
|            | F02  | 93-22      |          | 016220 (9004800-1908) | Pin                       | 1                  |
| Z          | F01  | 95-06      |          | 4250086               | Valve plate, CCW, special | 1                  |
|            | F02  | 95-06      |          | 615260                | Pin, slotted              | 1                  |

### CHARGE PRESSURE RELIEF VALVE SETTING

|   |      |       |  |                       |                          |   |
|---|------|-------|--|-----------------------|--------------------------|---|
| C | H01  | 97-44 |  | 4800308               | Plug - 18 bar [260 psi]  | 1 |
|   | H01A | 97-44 |  | 001149 (9004201-6200) | O-ring                   | 1 |
|   | H06  | 97-44 |  | 4510027               | Shim kit                 | 1 |
|   | H07  | 97-44 |  | 4800176               | Spring                   | 1 |
|   | H08  | 97-44 |  | 4800134               | Charge relief poppet     | 1 |
| E | H01  | 92-07 |  | 4800308               | Plug - 11 bar [160 psi]  | 1 |
|   | H01A | 92-07 |  | 001149 (9004201-6200) | O-ring                   | 1 |
|   | H06  | 92-07 |  | 4510027               | Shim kit                 | 1 |
|   | H07  | 92-07 |  | 4800176               | Spring                   | 1 |
|   | H08  | 92-07 |  | 4800134               | Charge relief poppet     | 1 |
| F | H01  | 92-07 |  | 4800308               | Plug - 7.5 bar [110 psi] | 1 |
|   | H01A | 92-07 |  | 001149 (9004201-6200) | O-ring                   | 1 |
|   | H06  | 92-07 |  | 4510027               | Shim kit                 | 1 |
|   | H07  | 92-07 |  | 4800149               | Spring                   | 1 |
|   | H08  | 92-07 |  | 4800134               | Charge relief poppet     | 1 |
| G | H01  | 92-07 |  | 4800308               | Plug - 14 bar [200 psi]  | 1 |
|   | H01A | 92-07 |  | 001149 (9004201-6200) | O-ring                   | 1 |
|   | H06  | 92-07 |  | 4510027               | Shim kit                 | 1 |
|   | H07  | 92-07 |  | 4800176               | Spring                   | 1 |
|   | H08  | 92-07 |  | 4800134               | Charge relief poppet     | 1 |
| N | H01  | 92-07 |  | 4800308               | Plug - 9.0 bar [130 psi] | 1 |
|   | H01A | 92-07 |  | 001149 (9004201-6200) | O-ring                   | 1 |
|   | H06  | 92-07 |  | 4510027               | Shim kit                 | 1 |
|   | H07  | 92-07 |  | 4800149               | Spring                   | 1 |
|   | H08  | 92-07 |  | 4800134               | Charge relief poppet     | 1 |



E100 675E

Enlarged **bold** type item numbers are recommended part to stock for servicing.

### CHARGE PRESSURE RELIEF VALVE SETTING

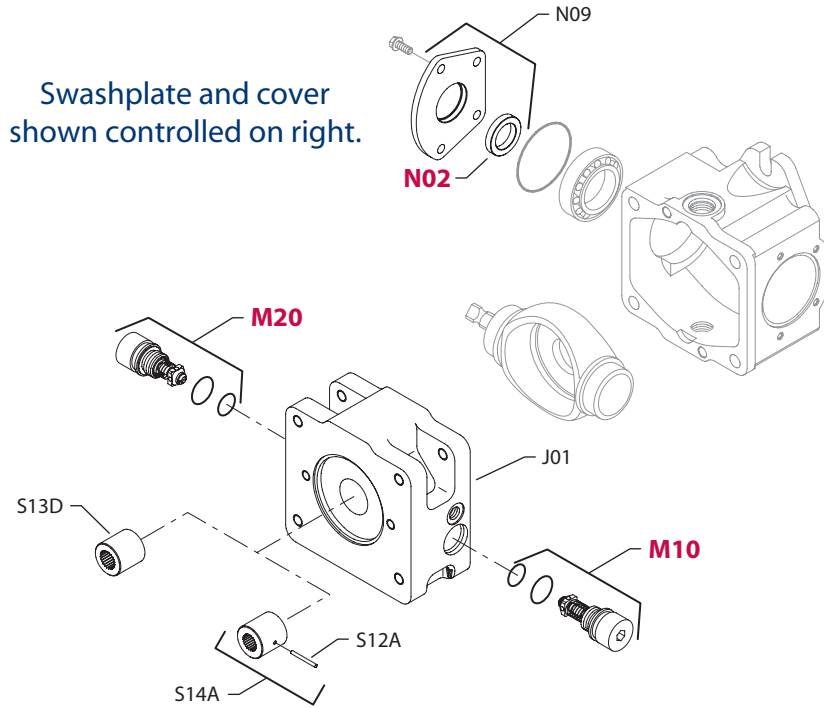
| Order Code | Item | Date Begin | Date End | Part Number           | Part Name                   | Qty. per Model/Kit        |
|------------|------|------------|----------|-----------------------|-----------------------------|---------------------------|
| R          | H01  | 92-37      |          | 4800308               | Plug - 6.2 bar [90 psi]     | 1                         |
|            | H01A | 92-37      |          | 001149 (9004201-6200) | O-ring                      | 1                         |
|            | H06  | 92-37      |          | 4510027               | Shim kit                    | 1                         |
|            | H07  | 92-37      |          | 4800714               | Spring                      | 1                         |
|            | H08  | 92-37      |          | 4800134               | Charge relief poppet        | 1                         |
|            | V    | H11        | 95-24    |                       | 613182                      | Spring - 14 bar [200 psi] |
|            | H12  | 95-24      |          | 502470                | Adjuster                    | 1                         |
|            | H13  | 95-24      |          | 342709 (9003575-0101) | Nut                         | 1                         |
|            | H14  | 95-24      |          | 001149 (9004201-6200) | O-ring                      | 1                         |
|            | H15  | 95-24      |          | 342428 (8800449)      | Poppet                      | 1                         |
| Y          | H11  | 02-44      |          | 613182                | Spring - 10.3 bar [150 psi] | 1                         |
|            | H12  | 02-44      |          | 502470                | Adjuster                    | 1                         |
|            | H13  | 02-44      |          | 342709 (9003575-0101) | Nut                         | 1                         |
|            | H14  | 02-44      |          | 001149 (9004201-6200) | O-ring                      | 1                         |
|            | H15  | 02-44      |          | 342428 (8800449)      | Poppet                      | 1                         |

### COMMON SYSTEM PRESSURE PROTECTION O-RINGS

|  |      |       |  |                       |        |   |
|--|------|-------|--|-----------------------|--------|---|
|  | M022 | 92-07 |  | 001131 (9004201-5000) | O-ring | 2 |
|  | M023 | 92-07 |  | 504080 (9004100-2110) | O-ring | 2 |

### SYSTEM PRESSURE PROTECTION

|     |     |       |  |         |  |   |
|-----|-----|-------|--|---------|--|---|
| AAA | M10 | 92-07 |  | 4350634 | Check valve poppet assembly (SB-1996-014)            | 1 |
|     | M20 | 92-07 |  | 4350634 | Check valve poppet assembly (SB-1996-014)            | 1 |
| BBB | M10 | 92-07 |  | 4350643 | SCR valve assembly, 175 bar [2528 psi] (SB-1996-014) | 1 |
|     | M20 | 92-07 |  | 4350643 | SCR valve assembly, 175 bar [2528 psi] (SB-1996-014) | 1 |
| BDD | M10 | 92-07 |  | 4350641 | SCR valve assembly, 210 bar [3045 psi] (SB-1996-014) | 1 |
|     | M20 | 92-07 |  | 4350641 | SCR valve assembly, 210 bar [3045 psi] (SB-1996-014) | 1 |
| BEE | M10 | 92-07 |  | 4350640 | SCR valve assembly, 230 bar [3335 psi] (SB-1996-014) | 1 |
|     | M20 | 92-07 |  | 4350640 | SCR valve assembly, 230 bar [3335 psi] (SB-1996-014) | 1 |
| BFF | M10 | 92-07 |  | 4350639 | SCR valve assembly, 250 bar [3625 psi] (SB-1996-014) | 1 |
|     | M20 | 92-07 |  | 4350639 | SCR valve assembly, 250 bar [3625 psi] (SB-1996-014) | 1 |
| BFG | M10 | 92-07 |  | 4350639 | SCR valve assembly, 250 bar [3625 psi] (SB-1996-014) | 1 |
|     | M20 | 92-07 |  | 4350638 | SCR valve assembly, 280 bar [4060 psi] (SB-1996-014) | 1 |
| BGF | M10 | 92-07 |  | 4350638 | SCR valve assembly, 280 bar [4060 psi] (SB-1996-014) | 1 |
|     | M20 | 92-07 |  | 4350639 | SCR valve assembly, 250 bar [3625 psi] (SB-1996-014) | 1 |
| BGG | M10 | 92-07 |  | 4350638 | SCR valve assembly, 280 bar [4060 psi] (SB-1996-014) | 1 |
|     | M20 | 92-07 |  | 4350638 | SCR valve assembly, 280 bar [4060 psi] (SB-1996-014) | 1 |
| BJJ | M10 | 92-07 |  | 4350636 | SCR valve assembly, 345 bar [5000 psi] (SB-1996-014) | 1 |
|     | M20 | 92-07 |  | 4350636 | SCR valve assembly, 345 bar [5000 psi] (SB-1996-014) | 1 |



E100 676E

Enlarged **bold** type item  
numbers are recommended  
part to stock for servicing.

### SYSTEM PRESSURE PROTECTION

| Order Code | Item | Date Begin | Date End | Part Number | Part Name   | Qty. per Model/Kit |
|------------|------|------------|----------|-------------|---|--------------------|
| BLL        | M10  | 92-07      |          | 4350646     | SCR valve assembly, 415 bar [6020 psi] (SB-1996-014)  | 1                  |
|            | M20  | 92-07      |          | 4350646     | SCR valve assembly, 415 bar [6020 psi] (SB-1996-014)  | 1                  |
| BMM        | M10  | 92-07      |          | 4350635     | SCR valve assembly, 140 bar [2030 psi] (SB-1996-014)  | 1                  |
|            | M20  | 92-07      |          | 4350635     | SCR valve assembly, 140 bar [2030 psi] (SB-1996-014)  | 1                  |
| EFF        | M10  | 98-47      |          | 4250139     | SCR valve assy, 250 bar [3625 psi], high force spring | 1                  |
|            | M20  | 98-47      |          | 4250139     | SCR valve assy, 250 bar [3625 psi], high force spring | 1                  |

### CONTROL

|    |     |       |  |         |   |   |
|----|-----|-------|--|---------|---|---|
| DL | N02 | 92-07 |  | 5000604 | Lip seal (SB-2000-026)                            | 1 |
|    | N09 | 92-07 |  | 4350732 | Trunnion cover assembly, controlled on left side  | 1 |
| DR | N02 | 92-07 |  | 5000604 | Lip seal (SB-2000-026)                            | 1 |
|    | N09 | 92-07 |  | 4350732 | Trunnion cover assembly, controlled on right side | 1 |

### AUXILIARY MOUNTING

|   |      |       |  |                       |                   |   |
|---|------|-------|--|-----------------------|-------------------|---|
| A | S12A | 92-07 |  | 509149 (9004700-1222) | Slotted pin       | 1 |
|   | S14A | 92-07 |  | 4250130               | Coupling assembly | 1 |
| D | S13D | 92-07 |  | 4250056               | Coupling          | 1 |

### SPECIAL HARDWARE

|     |     |       |       |         |         |   |
|-----|-----|-------|-------|---------|---------|---|
| CNN | J01 | 92-07 | 96-20 | 4250085 | End cap | 1 |
| NNN | J01 | 92-07 |       | 4250085 | End cap | 1 |

### OVERHAUL SEAL KIT

|  |      |       |  |                       |                        |   |
|--|------|-------|--|-----------------------|------------------------|---|
|  | B02  | 92-07 |  | 500748 (9008000-0132) | Lip seal               | 1 |
|  | B37  | 92-07 |  | 4250003               | End cap gasket         | 1 |
|  | B43A | 92-07 |  | 001123 (9004201-2500) | O-ring                 | 3 |
|  | B45A | 92-07 |  | 001149 (9004201-6200) | O-ring                 | 2 |
|  | E11A | 92-07 |  | 505536 (9004100-0350) | O-ring                 | 1 |
|  | H14  | 02-44 |  | 001149 (9004201-6200) | O-ring                 | 1 |
|  | M022 | 92-07 |  | 001131 (9004201-5000) | O-ring                 | 2 |
|  | M023 | 92-07 |  | 504080 (9004100-2110) | O-ring                 | 2 |
|  | N02  | 92-07 |  | 5000604               | Lip seal (SB-2000-026) | 1 |
|  | S14  | 92-07 |  | 4800482               | A pad seal             | 1 |

**PRODUCTS AFFECTED**

Series40 M25 PV's and PT's

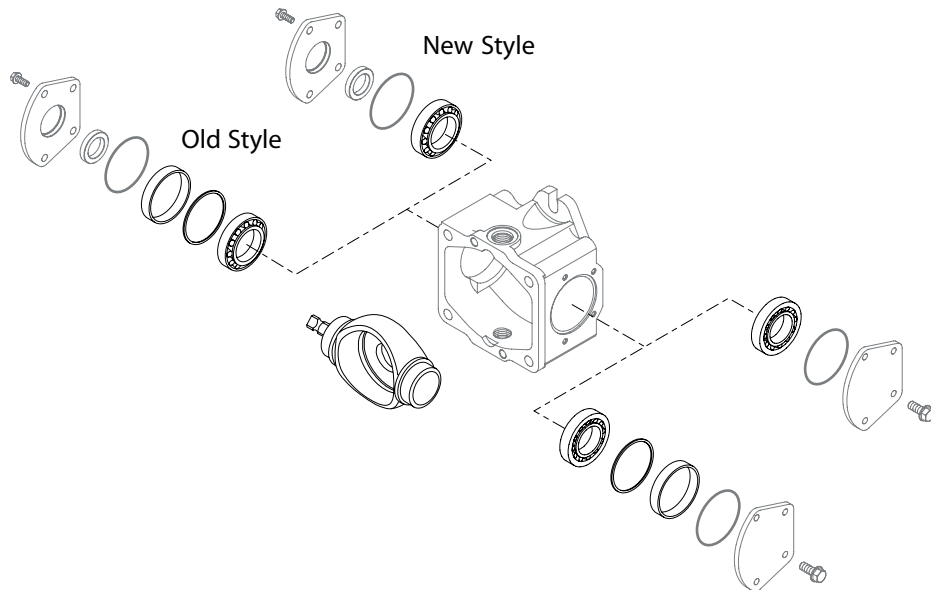
**SUBJECT**

Change in swashplate shimming

**DESCRIPTION**

As a product improvement, Sauer-Danfoss is eliminating the need to use spacers and shims to get the proper torque to turn on the variable swashplate. Due to a change in manufacturing tolerances, the stack-up of parts alone will provide the proper preload on the swashplate bearings. The items that changed to allow this to happen are the swashplate and trunnion bearings.

The old swashplate will become obsolete and serviced by a swashplate kit.



**MODELS AFFECTED**

All M91-25xxx tandem pumps and all M25-2xxx single pumps.

**SERIAL NUMBERS**

This change became effective at serial number A-95-05-xxxxx.

**PART NUMBERS AFFECTED**

| Description      | Old p/n      | New p/n | Interchangeable               | Old p/n status |
|------------------|--------------|---------|-------------------------------|----------------|
| Trunnion bearing | 9001415-0006 | 4800470 | No                            | Serviceable    |
| Swashplate       | 4250040      | 4250102 | Yes, in kit form only 4510126 | Obsolete       |
| Trunnion shim    | 4510026      | N/A     | N/A                           | Serviceable    |
| Spacer           | 4250043      | N/A     | N/A                           | Serviceable    |

**PARTS DISPOSITION**

■ Interchangeable in kit form only



**PRODUCTS AFFECTED**

Series 40 M25, M35, and M44 PV's and PT's

**SUBJECT**

Redesign of the retention method in the check valve and SCR assemblies

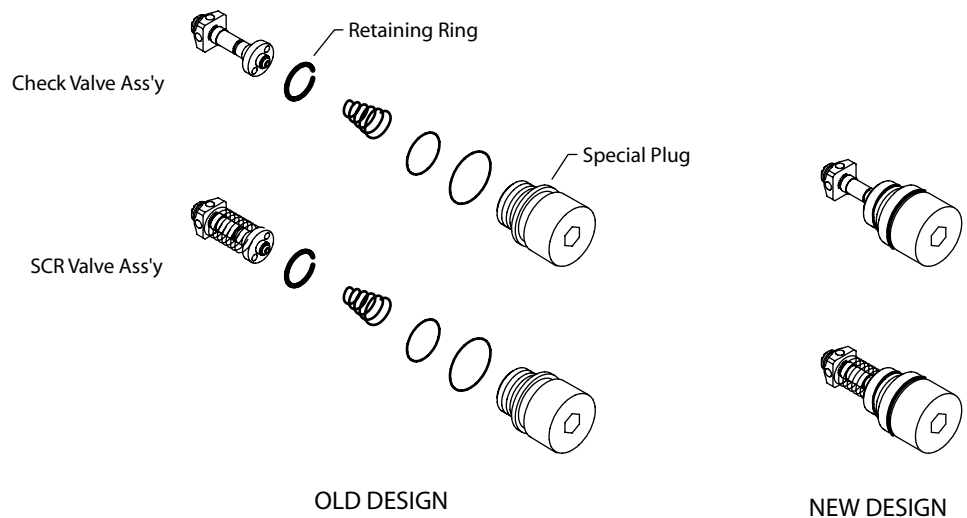
**DESCRIPTION**

As a product improvement Sauer-Danfoss is changing the retention method in the check valve assembly and SCR valve assembly. The old design allowed the check valve and SCR valve assemblies to be disassembled. However that retention method had the potential to hang up the valves on the retaining ring. The new design uses a different style retaining ring that will not hang up on the valve; however, it does not allow the assembly to be taken apart.

All new repairs, conversions, or purchases involving a check valve or SCR valve requires that the entire assembly be exchanged.

The new and old assemblies are totally interchangeable.

The special plug part number 4350182 and the internal retaining ring part number 4350183 will be obsoleted and no longer available as spare parts. See "PART NUMBERS AFFECTED" for detailed part number information.



**MODELS AFFECTED**

All series 40 M25, M35, and M44 single and tandem pumps

**SERIAL NUMBERS**

The change will take place at serial number 96-40-xxxxx and later.

**PART NUMBERS  
 AFFECTED**

| Description             | Old part number | New part number | Relief valve set point |
|-------------------------|-----------------|-----------------|------------------------|
| Poppet-check valve assy | 3103348         | 4350634         | N/A                    |
| SCR valve assembly      | 3103375-0140    | 4350635         | 140 bar [2030 psi]     |
| SCR valve assembly      | 3103375-0175    | 4350643         | 175 bar [2528 psi]     |
| SCR valve assembly      | 3103375-0190    | 4350642         | 190 bar [2755 psi]     |
| SCR valve assembly      | 3103375-0210    | 4350641         | 210 bar [3045 psi]     |
| SCR valve assembly      | 3103375-0230    | 4350640         | 230 bar [3335 psi]     |
| SCR valve assembly      | 3103375-0250    | 4350639         | 250 bar [3625 psi]     |
| SCR valve assembly      | 3103375-0260    | 4350644         | 260 bar [3770 psi]     |
| SCR valve assembly      | 3103375-0280    | 4350638         | 280 bar [4060 psi]     |
| SCR valve assembly      | 3103375-0300    | 4350637         | 300 bar [4350 psi]     |
| SCR valve assembly      | 3103375-0325    | 4350645         | 325 bar [4712 psi]     |
| SCR valve assembly      | 3103375-0345    | 4350636         | 345 bar [5000 psi]     |
| SCR valve assembly      | 3103375-0415    | 4350646         | 415 bar [6020 psi]     |

**PARTS DISPOSITION**

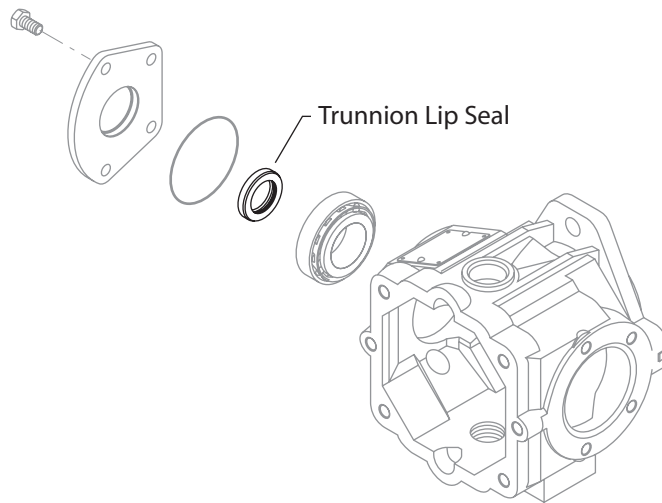
- Interchangeable

**PRODUCTS AFFECTED** M25, M35, and M44 pumps and variable motors

**SUBJECT** Trunnion seal change

**DESCRIPTION** As a product improvement, Sauer-Danfoss has made a design change to the trunnion seal on M25, M35, and M44 pumps and variable motors. The dust lip has been extended allowing more installation concentricity tolerance and hence is more forgiving during installation. As a result of this change, there will be fewer low hour trunnion seal failures caused by improper installation.

The new seal is interchangeable with the old seal. Sauer-Danfoss recommends that the seal be replaced when serving these units. The old seal (5000465) will remain available because it is used in other product lines.



**MODELS AFFECTED** M25, M35, and M44 pumps and variable motors

**SERIAL NUMBERS** N/A

**PART NUMBERS AFFECTED**

| Description   | Old part number | New part number |
|---------------|-----------------|-----------------|
| Trunnion seal | 5000465         | 5000604         |

**PARTS DISPOSITION** ■ Interchangeable



## OUR PRODUCTS

Hydrostatic transmissions  
Hydraulic power steering  
Electric power steering  
Electrohydraulic power steering  
Closed and open circuit axial piston pumps and motors  
Gear pumps and motors  
Bent axis motors  
Orbital motors  
Transit mixer drives  
Planetary compact gears  
Proportional valves  
Directional spool valves  
Cartridge valves  
Hydraulic integrated circuits  
Hydrostatic transaxles  
Integrated systems  
Fan drive systems  
Electrohydraulics  
Microcontrollers and software  
Electric motors and inverters  
Joysticks and control handles  
Displays  
Sensors

## Sauer-Danfoss Mobile Power and Control Systems – Market Leaders Worldwide

Sauer-Danfoss is a comprehensive supplier providing complete systems to the global mobile market.

Sauer-Danfoss serves markets such as agriculture, construction, road building, material handling, municipal, forestry, turf care, and many others.

We offer our customers optimum solutions for their needs and develop new products and systems in close cooperation and partnership with them.

Sauer-Danfoss specializes in integrating a full range of system components to provide vehicle designers with the most advanced total system design.

Sauer-Danfoss provides comprehensive worldwide service for its products through an extensive network of Authorized Service Centers strategically located in all parts of the world.

Sauer-Danfoss (US) Company  
2800 East 13th Street  
Ames, IA 50010, USA  
Phone: +1 515 239-6000, Fax: +1 515 239 6618

Sauer-Danfoss (Neumünster) GmbH & Co. OHG  
Postfach 2460, D-24531 Neumünster  
Krokamp 35, D-24539 Neumünster, Germany  
Phone: +49 4321 871-0, Fax: +49 4321 871 122

Sauer-Danfoss ApS  
DK-6430 Nordborg, Denmark  
Phone: +45 7488 4444, Fax: +45 7488 4400

[www.sauer-danfoss.com](http://www.sauer-danfoss.com)