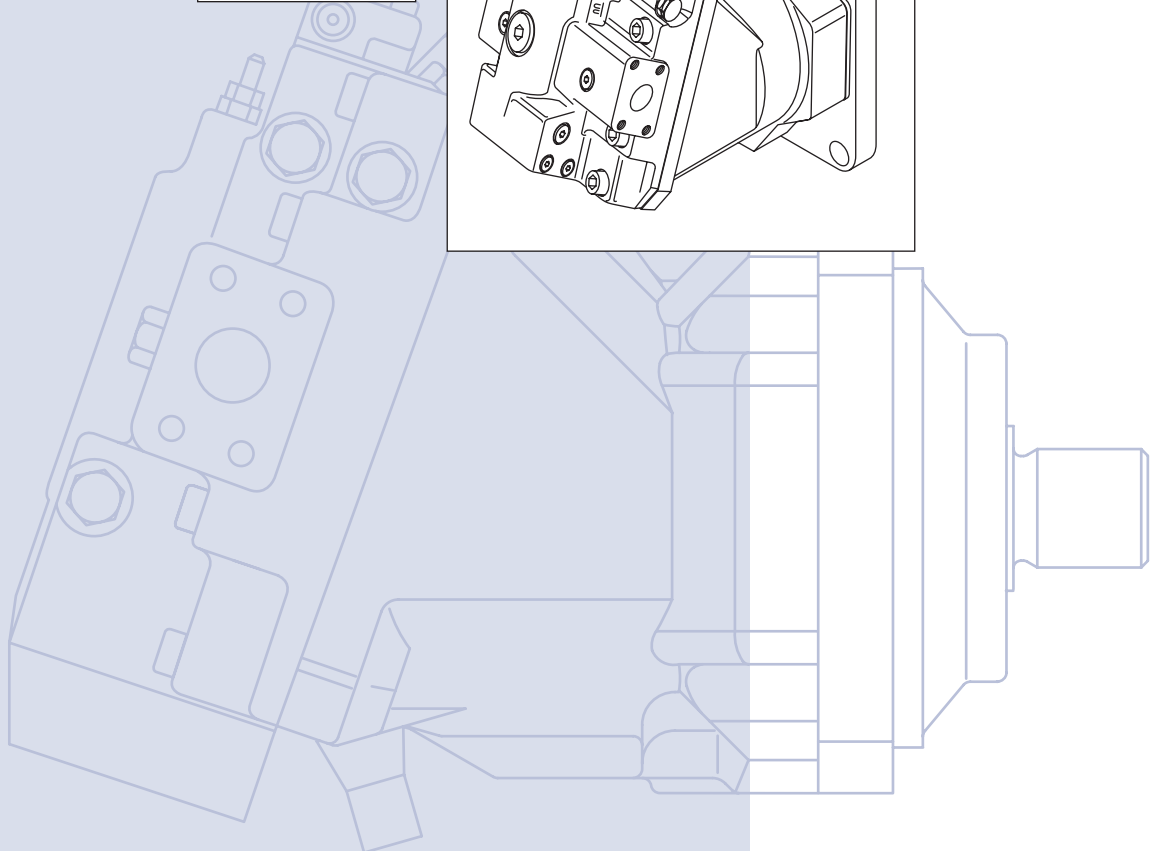
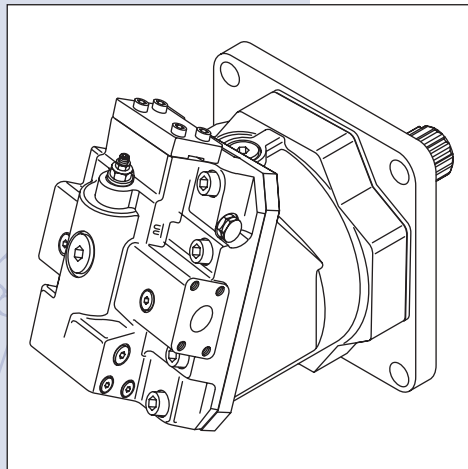
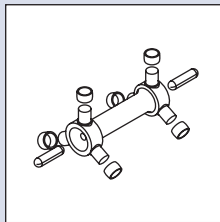
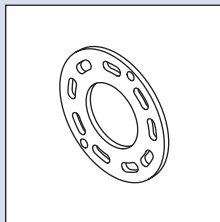
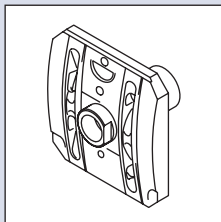




Series 51: 110 cc
Variable
Displacement
Motors

Service Parts
Manual



GENERAL INFORMATION	Service parts identification	5
	Nameplate	5
	Date code	6
	Service bulletins.....	6
	Procedure to identify a part.....	6
ORDER CODE	Order code	7
CARTRIDGE FLANGE	Common parts	8-11
	Special hardware	8-11
DIN FLANGE	Common parts	12-13
	Special hardware	12-13
SAE FLANGE	Common parts	14-17
	Special hardware	14-17
MAXIMUM DISPLACEMENT	Maximum displacement common parts	18-19
	Maximum displacement.....	18-19
END CAP	Axial ports	20-21
	Side ports	22-25
THRESHOLD/RANGE	Threshold/range	26-29
CHARGE RELIEF	Charge relief.....	30-33
LOOP FLUSHING SYSTEM	Loop flushing.....	32-33
OUTPUT SHAFT	Shaft	32-33
CONTROL	Solenoid proportional (D7 and D8)	34-35
	Electric 2-position (E1, E2, and E5).....	36-37
	Electric-hydraulic proportional (EP, EQ, ER, and ES)	38-39
	Electric-hydraulic 2-position (F1, F2, and G1)	40-41
	Hydraulic porportional with electric override (H1 and H2)	42-43
	Hydraulic proportional (HA and HE).....	42-43
	Hydraulic proportional (HC)	44-45
	Hydraulic proportional (HP, HS, and HZ).....	46-47
	Hydraulic porportional with electric override (J1, J2, J3, and J4).....	48-49
	Hydraulic proportional (JA)	50-51
	Hydraulic porportional with electric override (K1 and K2).....	50-51

© 2000, 2004 Sauer-Danfoss. All rights reserved. Printed in U.S.A.

Sauer-Danfoss accepts no responsibility for possible errors in catalogs, brochures and other printed material. Sauer-Danfoss reserves the right to alter its products without prior notice. This also applies to products already ordered provided that such alterations aren't in conflict with agreed specifications. All trademarks in this material are properties of their respective owners. Sauer-Danfoss and the Sauer-Danfoss logotype are trademarks of the Sauer-Danfoss Group.

Front cover illustrations: P100 668, P100 669, P100 670 P100 667

CONTROL (CONTINUED)	Solenoid proportional (L1, L2, L3, and L7)	52-53
	Hydraulic 2-position (N2).....	54-55
	Pressure compensator (PC).....	54-55
	Electric-hydraulic 2-position with pressure compensator (T1 and T2).....	56-57
	Pressure compensator (TA).....	58-59
	Hydraulic 2-position with pressure compensator (TH)	58-59
	Electric-hydraulic 2-position without pressure compensator (U1 and U2).....	60-61
	Electric-hydraulic proportional (Y7)	62-63
SERVO SUPPLY	Servo pressure supply	64-75
CONTROL RAMP	Control ramp.....	76-77
ORIFICE	Orifice	78-97
MINIMUM DISPLACEMENT	Minimum displacement.....	98-99
PCOR ADJUSTER	PCOR adjuster.....	98-99
SERVICE BULLETINS	SB-1993-006 (end cap gasket)	100
	SB-1995-013 (threshold adjustment screw)	101
	SB-1996-005 (end cap and valve segment)	102-103
	SB-1997-009 (servo piston seal ring).....	104
	SB-1997-030 (valve segment)	105
	SB-1998-035 (incorporate speed sensor in cartridge motors).....	106
	SB-1999-059 (thread change on DIN shaft assemblies)	107
	SB-2000-044 (loop flushing spring and spring seat change)	108
	SB-2001-015 (synch shaft kit).....	109
	SB-2002-001 (end cap/control interface seal).....	110-111

**SERVICE PARTS
 IDENTIFICATION**

Use this information and procedure to identify the module group, item number, manufacture date, part number, and part name of the parts included in the Series 51: 110cc variable displacement motor. Use the parts listed when performing minor repairs, major repairs, or conversions on Series 51: 110 cc motors. Refer to BLN-10043 Service Manual when doing this.

NAMEPLATE

Each unit has a nameplate affixed to its housing. The nameplate includes this information:

Model Code

The Sauer-Danfoss model code defines the specific unit. Use it when ordering parts to service this product.

Model Number

The manufacturing factory uses Sauer-Danfoss' model number. On repeat orders, order a complete unit by the model number.

Serial Number

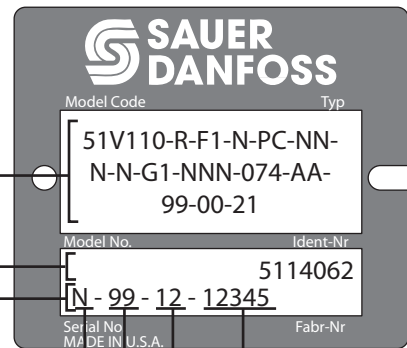
The Sauer-Danfoss serial number identifies the manufacture date and unit sequence in the build. The serial number also identifies the unit's warranty time period.

The letter code indicates the location of original manufacture (assembly). **N** indicates the unit was originally assembled in Neumunster, Germany.

The first number (2 digits) indicates the year of manufacture. (**99** would indicate the unit was manufactured in 1999).

The second number (2 digits) indicates the calendar week of manufacture.

The third number (5 digits) is a sequential number used to identify a specific unit.



DATE CODE

The date code is the year and week of manufacture. The same item number may list more than one part number. This indicates that there is more than one configuration for that item number. You will see that there are different date codes for different part numbers. Find the date code of your unit on the nameplate to determine the service part number you need to order.

EXAMPLE: The service part desired is Item L35.

Order code	Item	Date begin	Date end	Part number	Part name	Qty. per model/kit
V	L35	00-25		515752	Bearing housing (SB-2000-049)	1
	L35	92-33	00-24	743831	Bearing housing	1

All units using this order code with a date code of 92-33, up to and including 00-24, must use part number 743831. All units with a date code of 00-25, and newer, must use part number 515752..

SERVICE BULLETINS

A Service Bulletin Number (SB-____-____) may follow the part name of the part you desire. Read that Service Bulletin before ordering that part. The information contained in these Service Bulletins, as of the print date, are at the end of this manual. Service Bulletins contain more detailed information such as interchangeability, what additional parts are involved, and so forth. We suggest that you add additional Service Bulletins to this manual as you receive them.

**PROCEDURE TO IDENTIFY
A PART****General**

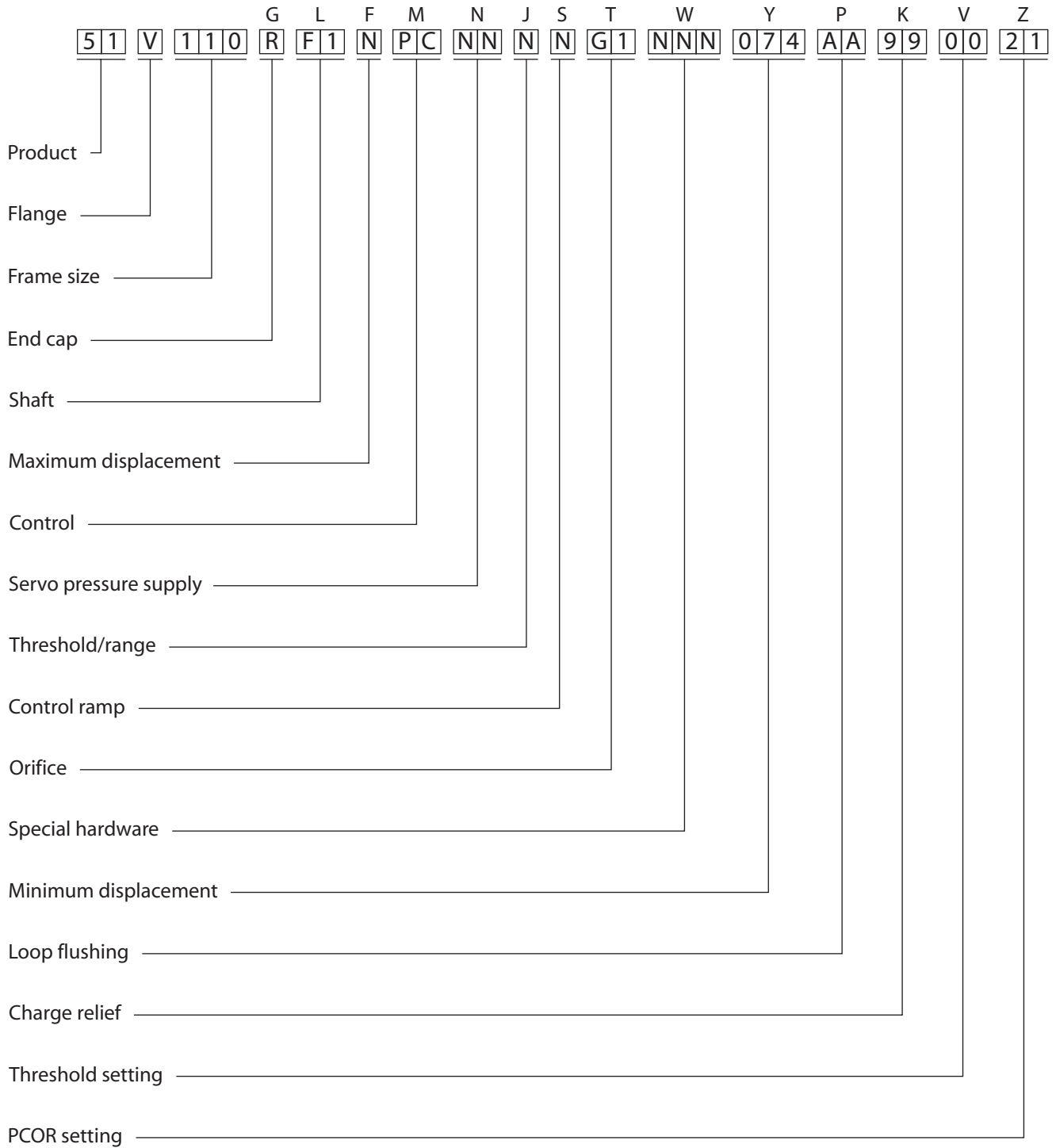
The modular design of Series 51 units results in a simplified service parts list and part number identification procedure. The same item numbers are used for same part names on all units within a product type. (Example: The lip seal, Item L40, has the same item number on all motors.)

A part number that has another number following in parentheses makes this a world-wide manual. The first number is sold in Germany. The number in parentheses is sold in the United States. (Example: 001289 (9004800-3708); customers order 9004800-3708 if ordering the part in the United States.)

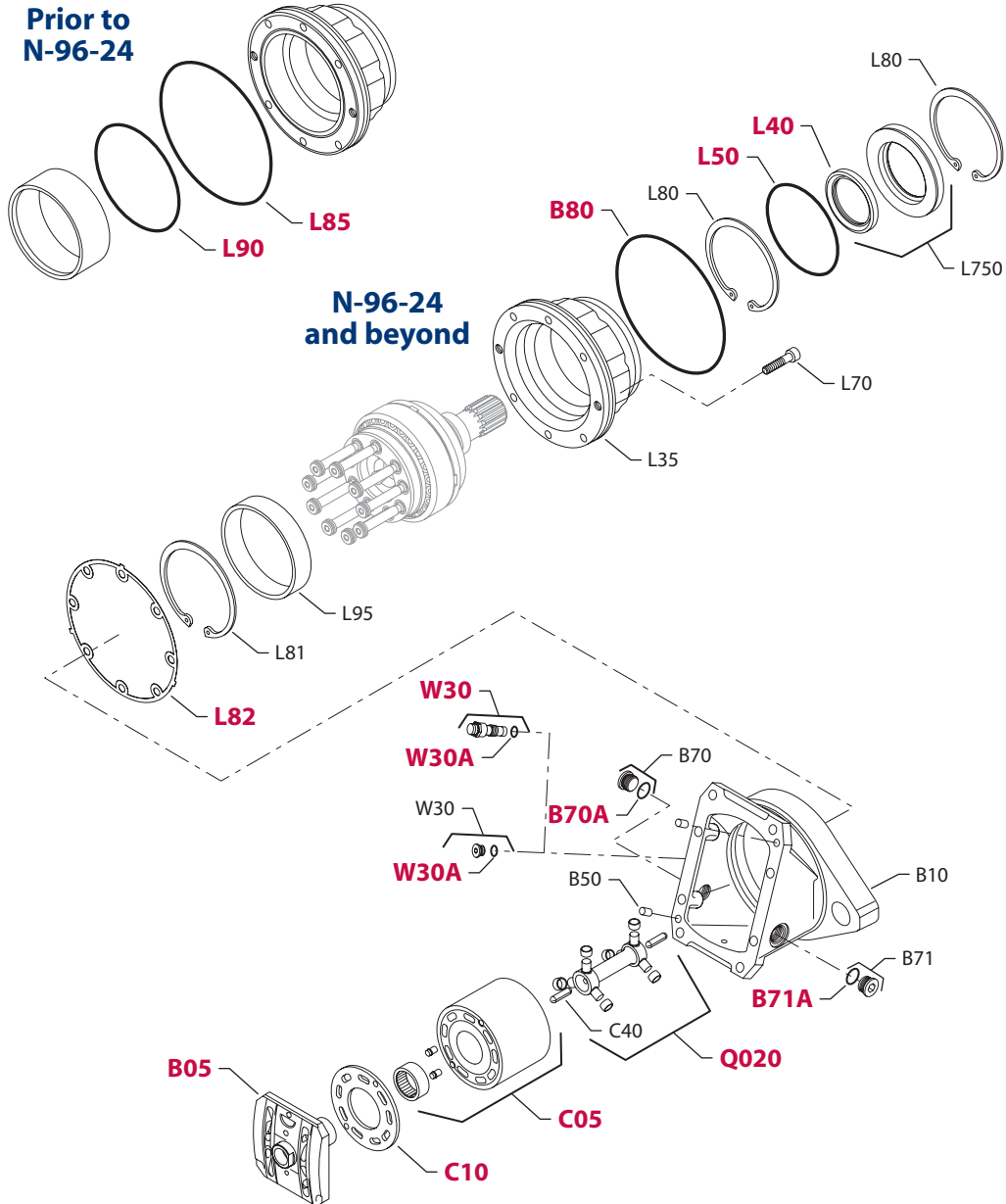
Example of a part identification

The nameplate on a Series 51 motor has an Order Code of 51V110 R F1 N PC NN N N G1 NNN 074 AA 99 00 21. Do this to determine the part number of the drive shaft used on this motor:

- 1) Referring to the shaft module in the Order Code (see page 7), the shaft option for this motor is identified by the code **F1** (51V110 R **F1** N PC NN N N G1 NNN 074 AA 99 00 21)
- 2) Referring to the Service Parts List, find the shaft group.
- 3) Find the order code that relates to this unit, which is **F1**.
- 4) The shaft is Item L1.
- 5) The part number 725507.



P100 540E



E100 266E

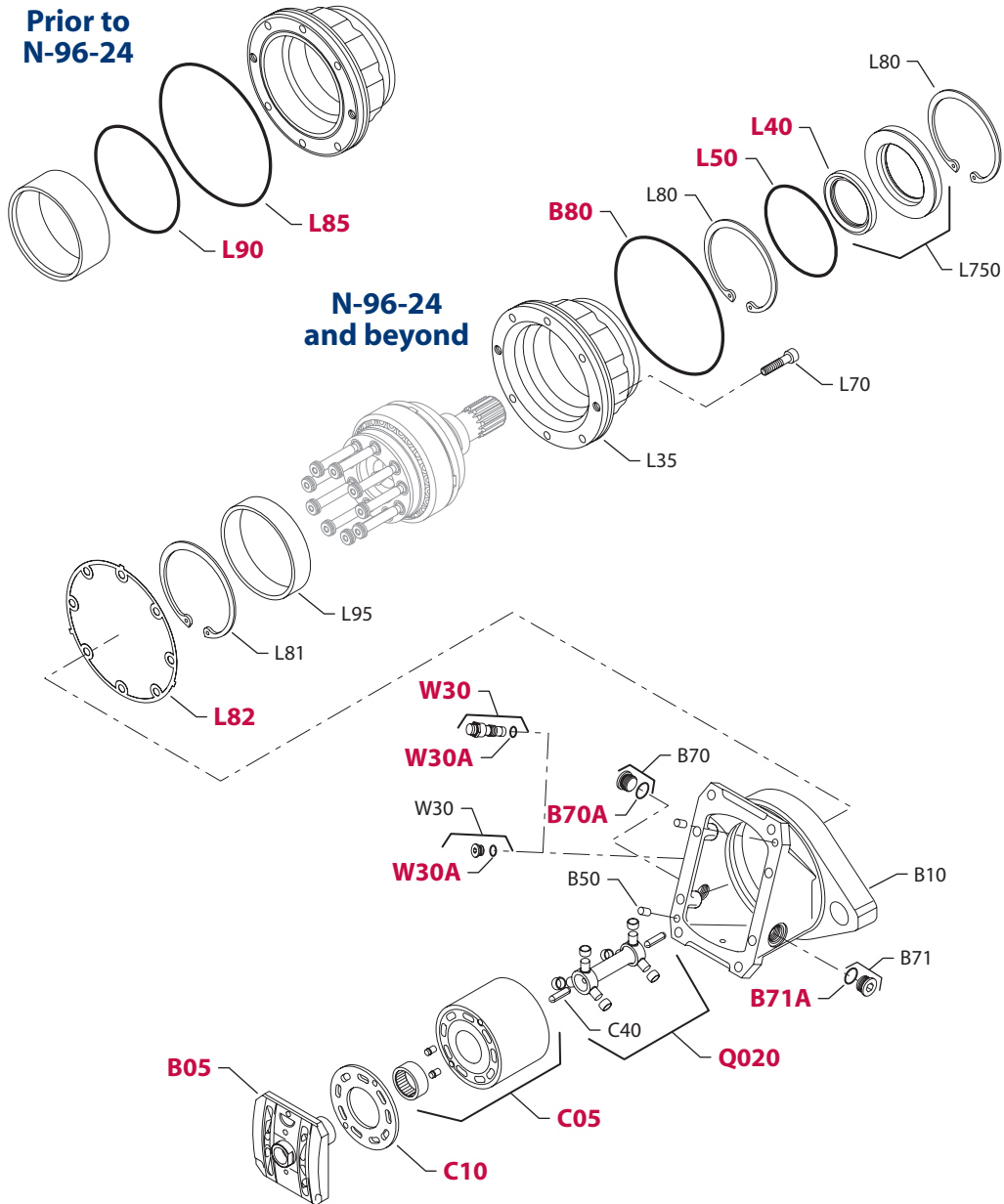
Enlarged **bold** type item numbers are recommended part to stock for servicing.

COMMON PARTS

Order code	Item	Date begin	Date end	Part number	Part name	Qty. per model/kit
C	B05	92-33		508199	Valve segment (SB-1996-005 & SB-1997-030)	1
	B50	92-33		001289 (9004800-3708)	Pin	2
	B70	92-33		664524 (9005110-9000)	Plug	1
	B70A	92-33		001156 (9004201-7500)	O-ring	1
	B71	92-33		664524 (9005110-9000)	Plug	1
	B71A	92-33		001156 (9004201-7500)	O-ring	1
	B80	92-33		502206	O-ring	1
	C05	92-33		355883	Cylinder block assembly	1
	C10	92-33		515368	Bearing plate	1
	C40	92-33		341602	Support pin	2
	L35	96-24		501110	Bearing housing (SB-1998-035)	1
	L40	92-33		341735	Lip seal	1
	L50	92-33		507116 (9004104-1580)	O-ring	1
	L70	92-33		727586	Screw	8
	L80	92-33		739037	Retaining ring	2
	L81	96-24		504732	Retaining ring (SB-1998-035)	1
	L82	96-24		501113	Gasket	1
	L85	92-33	96-23	502205	O-ring (SB-1998-035)	1
	L90	92-33	96-23	512678	O-ring (SB-1998-035)	1
	L95	96-24		501118	Distance ring (SB-1998-035)	1
	L750	92-33		510484	Seal carrier assembly	1
	Q020	92-33		516485	Synch shaft kit (SB-2001-015)	1

SPECIAL HARDWARE

ABA	B10	97-41		501105	Housing with speed sensor port	1
	W30	97-41		515965 (9005110-5600)	Plug	1
	W30A	97-41		085043 (9004201-3700)	O-ring	1
ACA	B10	96-24		501105	Housing with speed sensor port (SB-1998-035)	1
	W30	96-02		512661 (KPPG23408)	Speed sensor	1
	W30A	96-02		085043 (9004201-3700)	O-ring	1
ADA	B10	96-24		501105	Housing with speed sensor port (SB-1998-035)	1
	W30	96-07		512667 (KPPG256)	Speed sensor	1
	W30A	96-07		085043 (9004201-3700)	O-ring	1
ADC	B10	97-07		501105	Housing with speed sensor port	1
	W30	97-07		508296 (KPPG236)	Speed sensor	1
	W30A	97-07		085043 (9004201-3700)	O-ring	1
ADJ	B10	96-24		501105	Housing with speed sensor port (SB-1998-035)	1
	W30	96-07		512667 (KPPG256)	Speed sensor	1
	W30A	96-07		085043 (9004201-3700)	O-ring	1
ANA	B10	97-41		501105	Housing with speed sensor port	1
	W30	97-41		512671 (KPPG23703)	Speed sensor	1
	W30A	97-41		085043 (9004201-3700)	O-ring	1



E100 266E

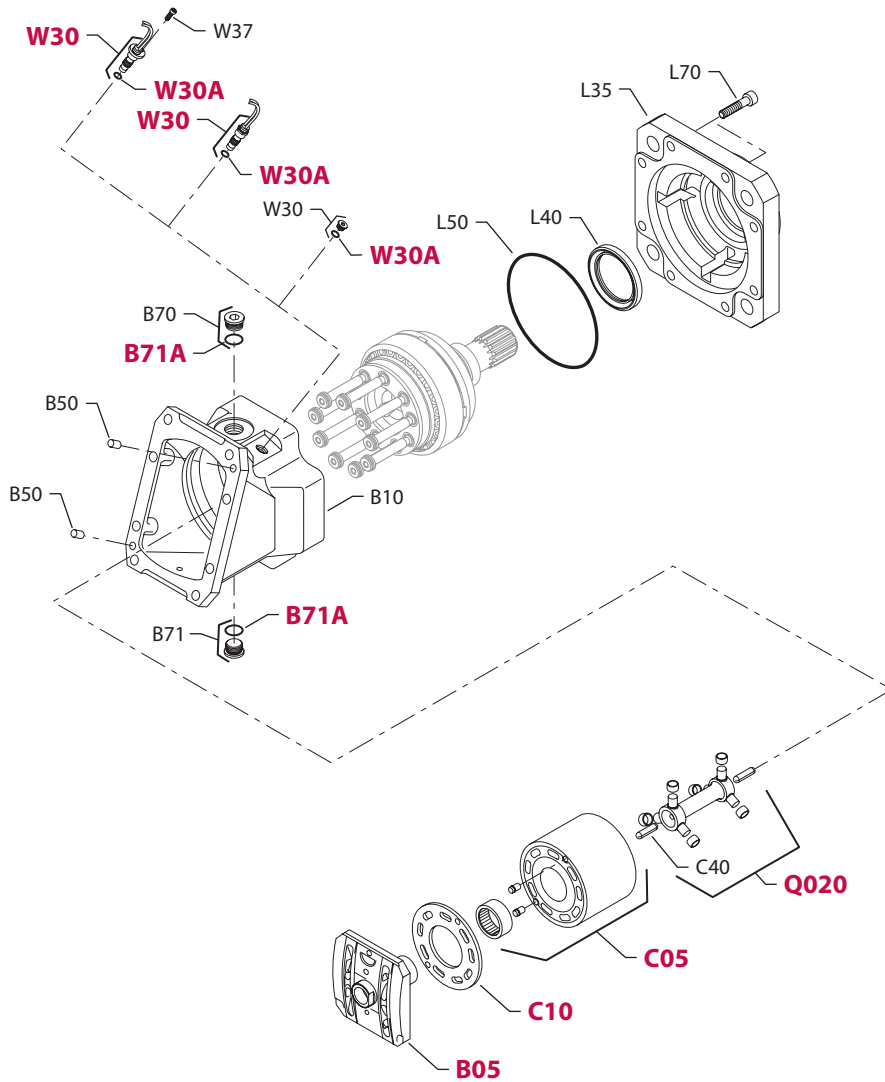
Enlarged **bold** type item numbers are recommended part to stock for servicing.

COMMON PARTS

Order code	Item	Date begin	Date end	Part number	Part name	Qty. per model/kit
C	B05	92-33		508199	Valve segment (SB-1996-005 & SB-1997-030)	1
	B50	92-33		001289 (9004800-3708)	Pin	2
	B70	92-33		664524 (9005110-9000)	Plug	1
	B70A	92-33		001156 (9004201-7500)	O-ring	1
	B71	92-33		664524 (9005110-9000)	Plug	1
	B71A	92-33		001156 (9004201-7500)	O-ring	1
	B80	92-33		502206	O-ring	1
	C05	92-33		355883	Cylinder block assembly	1
	C10	92-33		515368	Bearing plate	1
	C40	92-33		341602	Support pin	2
	L35	96-24		501110	Bearing housing (SB-1998-035)	1
	L40	92-33		341735	Lip seal	1
	L50	92-33		507116 (9004104-1580)	O-ring	1
	L70	92-33		727586	Screw	8
	L80	92-33		739037	Retaining ring	2
	L81	96-24		504732	Retaining ring (SB-1998-035)	1
	L82	96-24		501113	Gasket	1
	L85	92-33	96-23	502205	O-ring (SB-1998-035)	1
	L90	92-33	96-23	512678	O-ring (SB-1998-035)	1
	L95	96-24		501118	Distance ring (SB-1998-035)	1
	L750	92-33		510484	Seal carrier assembly	1
	Q020	92-33		516485	Synch shaft kit (SB-2001-015)	1

SPECIAL HARDWARE

AVA	B10	01-30		517816	Housing with speed sensor port	1
	W30	01-30		517890	Speed sensor	1
	W30A	01-30		085043 (9004201-3700)	O-ring	1
	W37	01-30		395822 (9007315-0603)	Screw	1
AWB	B10	02-44		517816	Housing with speed sensor port	1
	W30	02-44		518908 (KPPG356)	Speed sensor	1
	W30A	02-44		085043 (9004201-3700)	O-ring	1
	W37	02-44		395822 (9007315-0603)	Screw	1
BAA	B10	96-24		501105	Housing with speed sensor port (SB-1998-035)	1
	W30	94-33		515965 (9005110-5600)	Plug	1
	W30A	94-33		085043 (9004201-3700)	O-ring	1
NNN	B10	96-24		501105	Housing with speed sensor port (SB-1998-035)	1
	W30	92-33		515965 (9005110-5600)	Plug	1
	W30A	92-33		085043 (9004201-3700)	O-ring	1



E100 341E

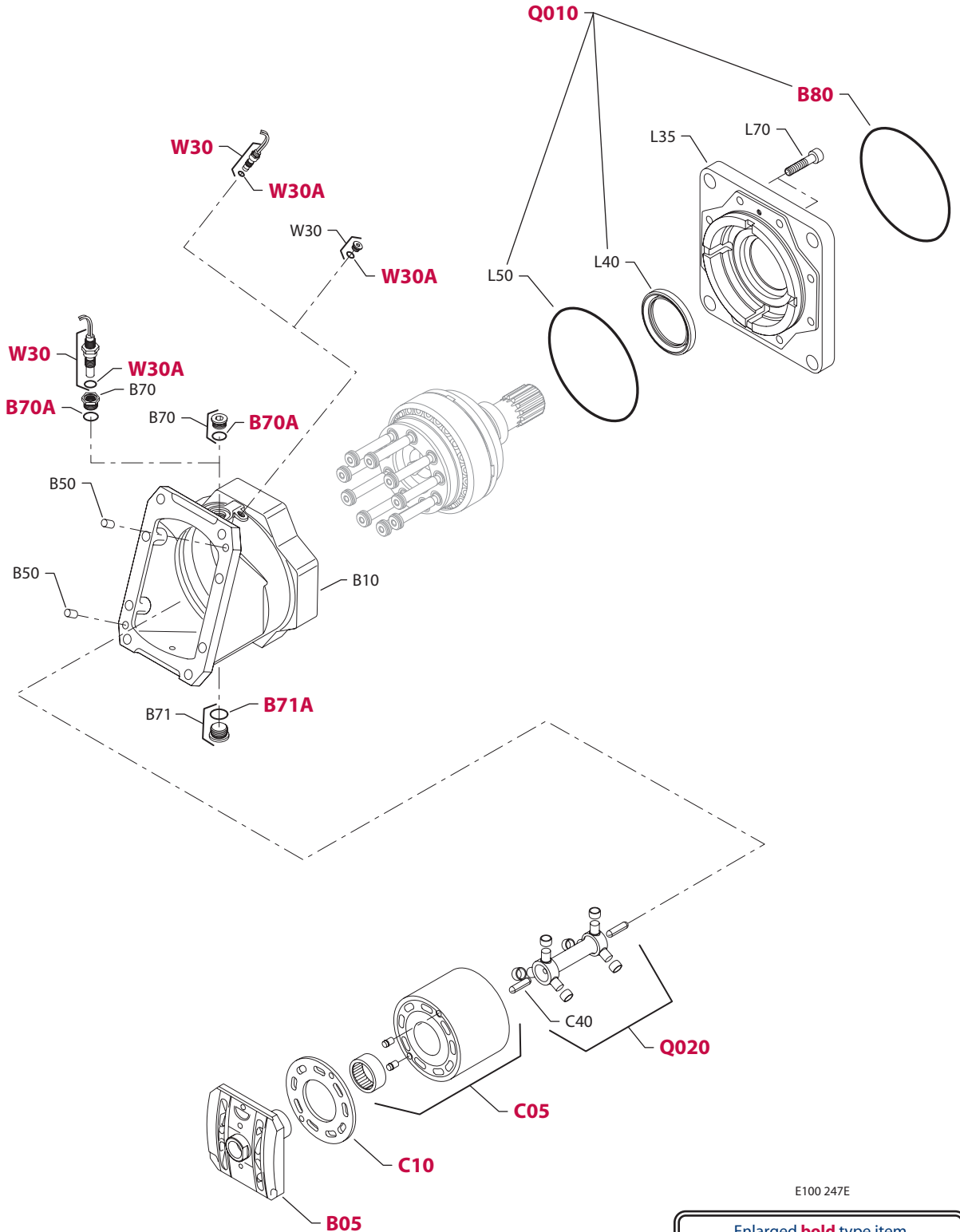
Enlarged **bold** type item numbers are recommended part to stock for servicing.

COMMON PARTS

Order code	Item	Date begin	Date end	Part number	Part name	Qty. per model/kit
D	B05	92-01		508199	Valve segment (SB-1996-005 & SB-1997-030)	1
	B50	92-01		001289 (9004800-3708)	Pin	2
	B70	92-01		664524 (9005110-9000)	Plug	1
	B70A	92-01		001156 (9004201-7500)	O-ring	1
	B71	92-01		664524 (9005110-9000)	Plug	1
	B71A	92-01		001156 (9004201-7500)	O-ring	1
	C05	92-01		355883	Cylinder block assembly	1
	C10	92-01		515368	Bearing plate	1
	C40	92-01		341602	Support pin	2
	L35	92-01		774737	Bearing housing	1
	L40	92-01		341735	Lip seal	1
	L50	92-01		729285	O-ring	1
	L70	92-01		064493	Screw	8
	Q020	92-01		516485	Synch shaft kit (SB-2001-015)	1

SPECIAL HARDWARE

ABA	B10	92-01		505089	Housing with speed sensor port	1
	W30	92-01		515965 (9005110-5600)	Plug	1
	W30A	92-01		085043 (9004201-3700)	O-ring	1
ADA	B10	99-01		505089	Housing with speed sensor port	1
	W30	99-01		512666 (KPPG156)	Speed sensor	1
	W30A	99-01		085043 (9004201-3700)	O-ring	1
AWB	B10	02-44		518915	Housing with speed sensor port	1
	W30	02-44		518916 (KPPG456)	Speed sensor	1
	W30A	02-44		085043 (9004201-3700)	O-ring	1
	W37	02-44		395822 (9007315-0603)	Screw	1
NNN	B10	92-01		774778	Housing without speed sensor port	1



E100 247E

Enlarged **bold** type item numbers are recommended part to stock for servicing.

COMMON PARTS

Order code	Item	Date begin	Date end	Part number	Part name	Qty. per model/kit
V	B05	92-33		508199	Valve segment (SB-1996-005 & SB-1997-030)	1
	B50	92-33		001289 (9004800-3708)	Pin	2
	B70A	92-33		001156 (9004201-7500)	O-ring	1
	B71	92-33		664524 (9005110-9000)	Plug	1
	B71A	92-33		001156 (9004201-7500)	O-ring	1
	C05	92-33		355883	Cylinder block assembly	1
	C10	92-33		515368	Bearing plate	1
	C40	92-33		341602	Support pin	2
	L35	92-33		366534	Bearing housing	1
	L40	92-33		341735	Lip seal	1
	L50	92-33		717462	O-ring	1
	L70	92-33		064493	Screw	8
	Q010	92-33		733184	Shaft seal kit	1
	Q020	92-33		516485	Synch shaft kit (SB-2001-015)	1

SPECIAL HARDWARE

AAA & AAC	B10	95-42		504595	Housing with speed sensor port	1
	B70	95-42		664524 (9005110-9000)	Plug	1
	B70	92-33	95-41	791434	Adapter plug	1
	W30	92-33		512659 (KPPG12508)	Speed sensor	1
	W30A	92-33		085043 (9004201-3700)	O-ring	1

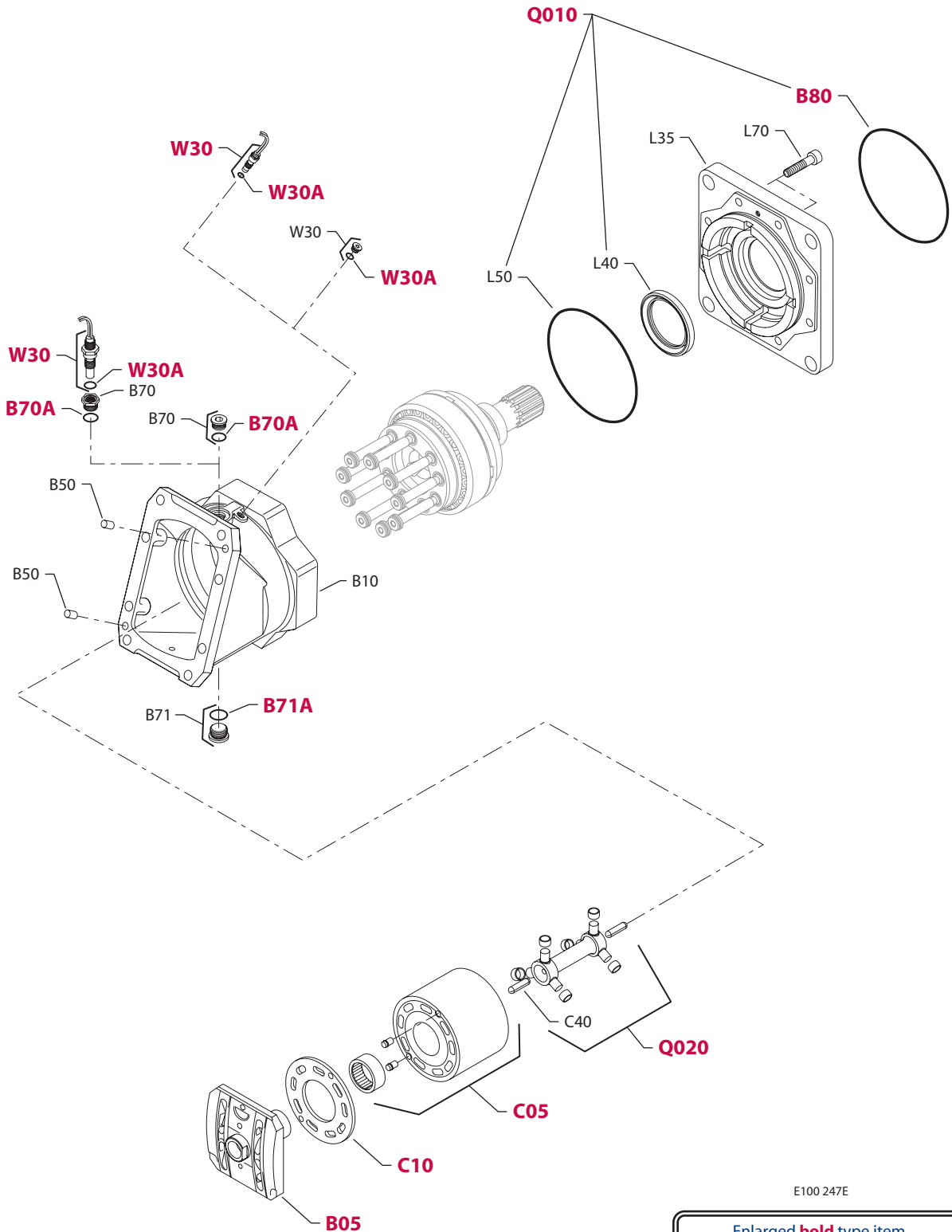
ABA	B10	95-42		504595	Housing with speed sensor port	1
	B70	95-42		664524 (9005110-9000)	Plug	1
	B70	92-33	95-41	791434	Adapter plug	1
	W30	92-33		515965 (9005110-5600)	Plug	1
	W30A	92-33		085043 (9004201-3700)	O-ring	1

ACA	B10	95-42		504595	Housing with speed sensor port	1
	B70	95-42		664524 (9005110-9000)	Plug	1
	B70	92-33	95-41	791434	Adapter plug	1
	W30	92-33		512660 (KPPG13408)	Speed sensor	1
	W30A	92-33		085043 (9004201-3700)	O-ring	1

ACB	B10	03-23		504595	Housing with speed sensor port	1
	B70	95-42		664524 (9005110-9000)	Plug	1
	B70	92-33	95-41	791434	Adapter plug	1
	W30	92-33		512662 (KPPG16408)	Speed sensor	1
	W30A	92-33		085043 (9004201-3700)	O-ring	1

ADA	B10	95-42		504595	Housing with speed sensor port	1
	B70	95-42		664524 (9005110-9000)	Plug	1
	B70	92-33	95-41	791434	Adapter plug	1
	W30	92-33		512666 (KPPG156)	Speed sensor	1
	W30A	92-33		085043 (9004201-3700)	O-ring	1

AHA	B10	02-13		504595	Housing with speed sensor port	1
	B70	02-13		664524 (9005110-9000)	Plug	1
	W30	02-13		512666 (KPPG156)	Speed sensor	1
	W30A	02-13		085043 (9004201-3700)	O-ring	1



E100 247E

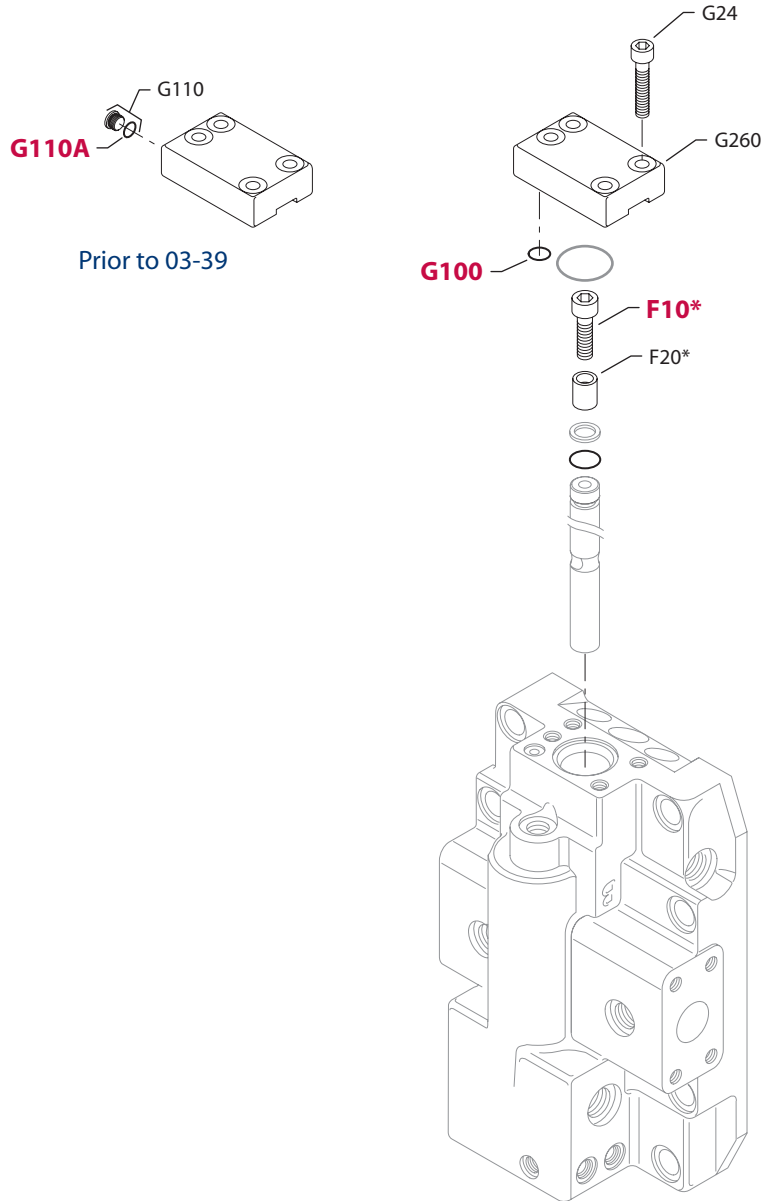
Enlarged **bold** type item numbers are recommended part to stock for servicing.

COMMON PARTS

Order code	Item	Date begin	Date end	Part number	Part name	Qty. per model/kit
V	B05	92-33		508199	Valve segment (SB-1996-005 & SB-1997-030)	1
	B50	92-33		001289 (9004800-3708)	Pin	2
	B70A	92-33		001156 (9004201-7500)	O-ring	1
	B71	92-33		664524 (9005110-9000)	Plug	1
	B71A	92-33		001156 (9004201-7500)	O-ring	1
	C05	92-33		355883	Cylinder block assembly	1
	C10	92-33		515368	Bearing plate	1
	C40	92-33		341602	Support pin	2
	L35	92-33		366534	Bearing housing	1
	L40	92-33		341735	Lip seal	1
	L50	92-33		717462	O-ring	1
	L70	92-33		064493	Screw	8
	Q020	92-33		516485	Synch shaft kit (SB-2001-015)	1

SPECIAL HARDWARE

ANA	B10	01-04		504595	Housing with speed sensor port	1
	B70	01-04		664524 (9005110-9000)	Plug	1
	W30	01-04		517203 (KPPG13703)	Speed sensor	1
	W30A	01-04		085043 (9004201-3700)	O-ring	1
DAA	B10	00-04		504595	Housing with speed sensor port	1
	B70	00-04		664524 (9005110-9000)	Plug	1
	W30	00-04		515965 (9005110-5600)	Plug	1
	W30A	00-04		085043 (9004201-3700)	O-ring	1
DBA	B10	00-04		504595	Housing with speed sensor port	1
	B70	00-04		664524 (9005110-9000)	Plug	1
	W30	00-04		515965 (9005110-5600)	Plug	1
	W30A	00-04		085043 (9004201-3700)	O-ring	1
DDA	B10	00-04		504595	Housing with speed sensor port	1
	B70	00-04		664524 (9005110-9000)	Plug	1
	W30	00-04		515965 (9005110-5600)	Plug	1
	W30A	00-04		085043 (9004201-3700)	O-ring	1
DDB	B10	00-04		504595	Housing with speed sensor port	1
	B70	00-04		664524 (9005110-9000)	Plug	1
	W30	00-04		515965 (9005110-5600)	Plug	1
	W30A	00-04		085043 (9004201-3700)	O-ring	1
NNN	B10	95-42		504595	Housing with speed sensor port	1
	B70	95-42		664524 (9005110-9000)	Plug	1
	B70	92-33	95-41	791434	Adapter plug	1
	W30	92-33		515965 (9005110-5600)	Plug	1
	W30A	92-33		085043 (9004201-3700)	O-ring	1



E100 272E

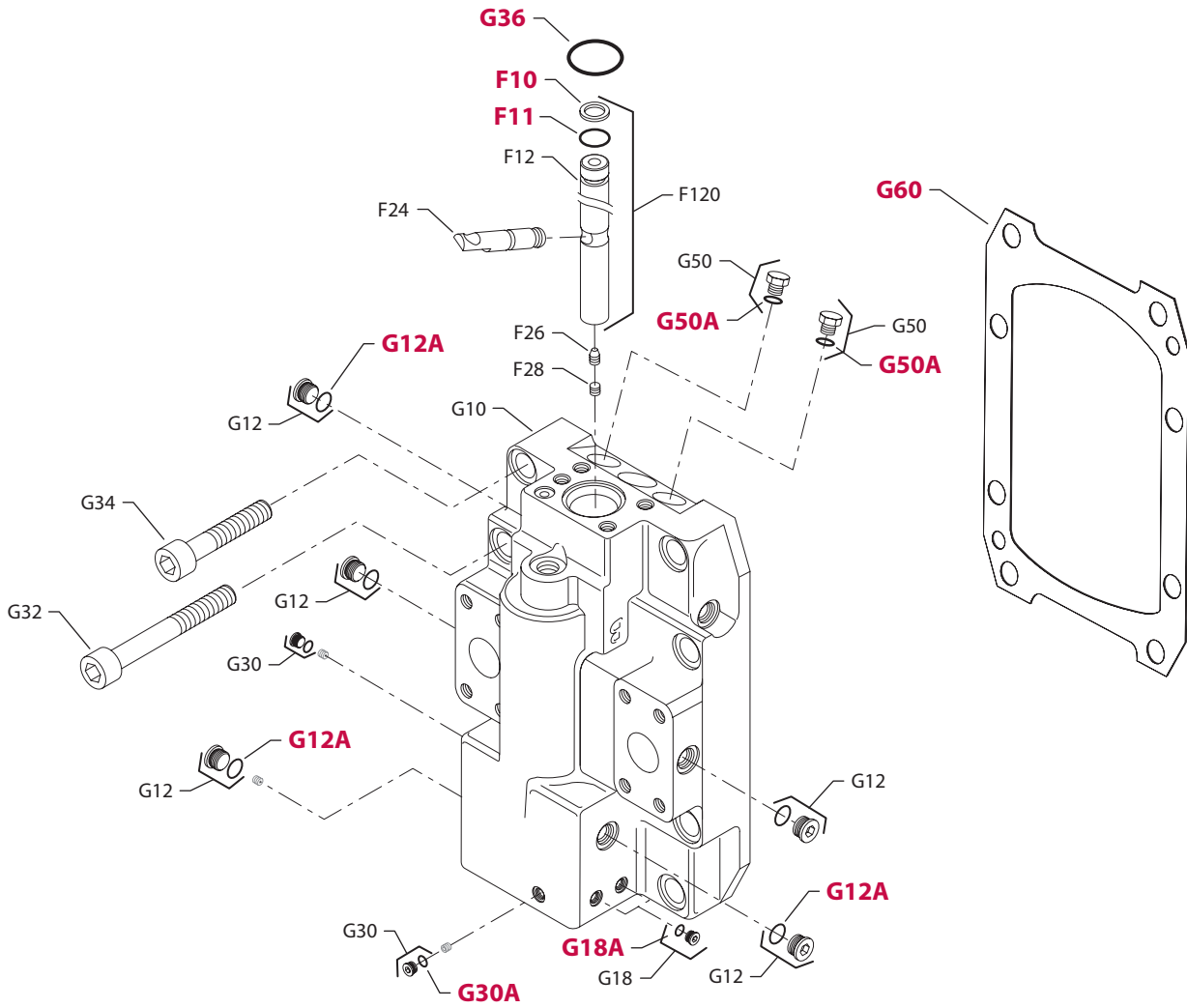
Enlarged **bold** type item numbers are recommended part to stock for servicing.

MAXIMUM DISPLACEMENT COMMON PARTS

Order code	Item	Date begin	Date end	Part number	Part name	Qty. per model/kit
	G24	92-33		727586 (9007314-1008)	Screw	4
	G100	92-33		792739	O-ring	1
	G110	92-33	03-38	504519	Plug	1
	G110A	92-33	03-38	039297 (9004201-1200)	O-ring	1
	G26	92-33		518996	Cover	1

MAXIMUM DISPLACEMENT

B	F10B	98-35		393702	Screw, M10 x 30 mm	1
	F20B	98-35		788620	Spacer, 7.5 mm	1
D	F10D	98-03		727586	Screw, M10 x 35 mm	1
	F20D	98-03		682211	Spacer, 17.0 mm	1
N	F10N	92-33		393686	Screw, M10 x 20 mm	1

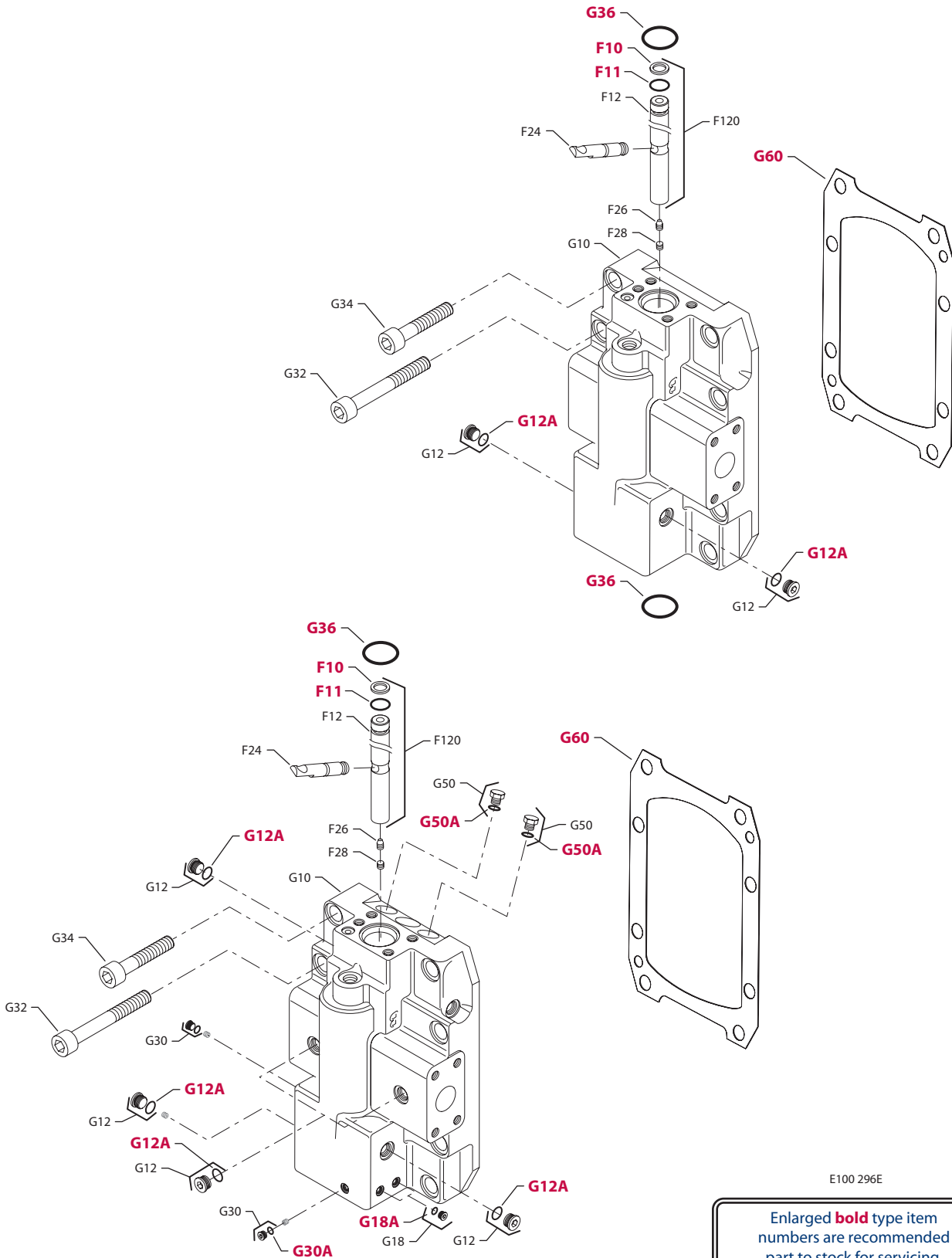


E100 311E

Enlarged **bold** type item numbers are recommended part to stock for servicing.

AXIAL PORTS

Order code	Item	Date begin	Date end	Part number	Part name	Qty. per model/kit
A	F10	92-33		508133	Servo piston seal ring (SB-1997-009)	1
	F11	92-33		019950 (9004100-1150)	O-ring	1
	F24	92-33		511120	Feedback lever	1
	F26	92-33		396879	Set screw	1
	F28	92-33		042465	Set screw	1
	F120	92-33		510076	Servo piston assembly	1
	G10	92-33		513592	End cap, axial ports (SB-1996-005, SB-2002-001)	1
	G12	95-07		515965 (9005110-5600)	Plug	5
	"	92-33	95-06	515965 (9005110-5600)	Plug	7
	G12A	95-07		085043 (9004201-3700)	O-ring	5
	"	92-33	95-06	085043 (9004201-3700)	O-ring	7
	G18	95-07		504519	Plug	2
	"	92-33	95-06	092114 (9007712-0604)	Set screw	2
	G18A	95-07		039297 (9004201-1200)	O-ring	2
	G30	92-33		504519	Plug	2
	G30A	92-33		039297 (9004201-1200)	O-ring	2
	G32	92-33		914143 (9007314-1214)	Screw	4
	G34	92-33		283325 (9007314-1211)	Screw	4
	G36	92-33		364968	O-ring	1
	G50	92-33		001511 (9005100-4400)	Plug	2
	G50A	92-33		001123 (9004201-2500)	O-ring	2
	G60	92-33		501200	End cap gasket (SB-1993-006)	1

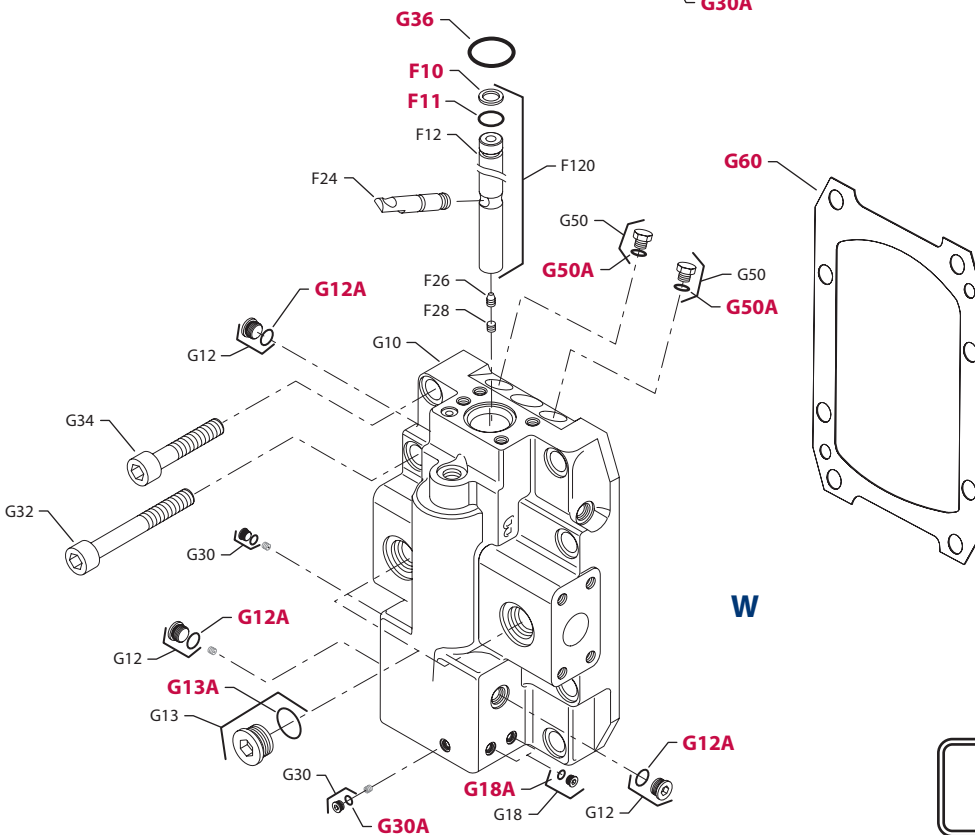
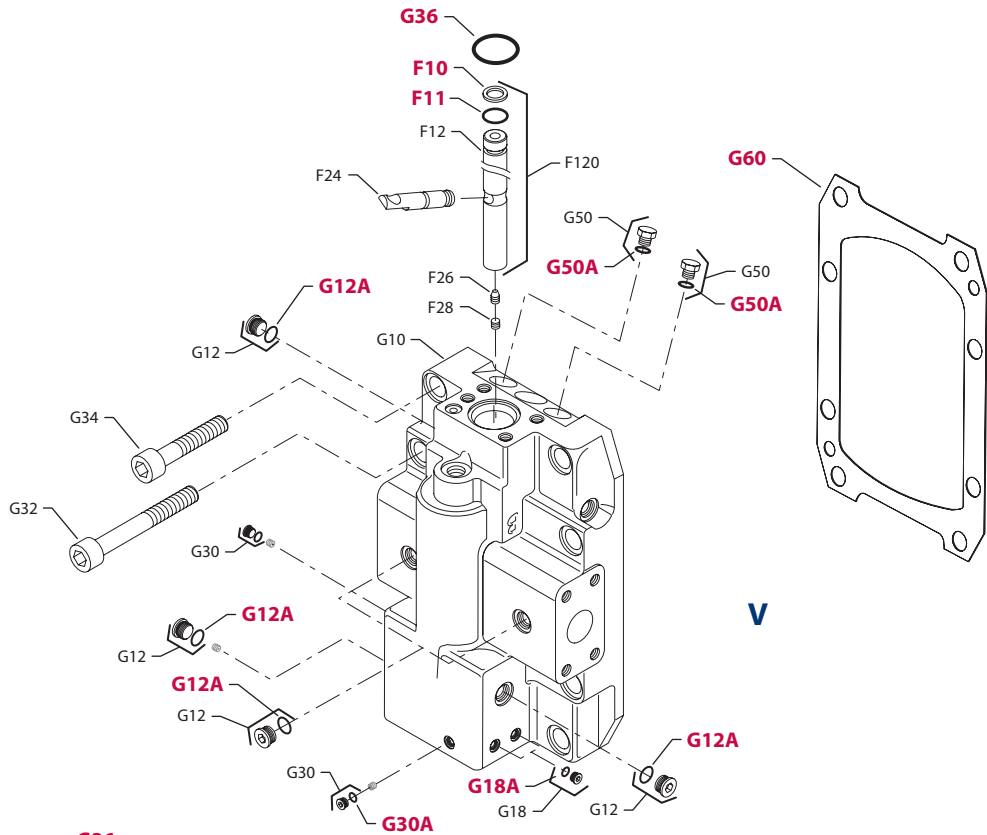


E100 296E

Enlarged **bold** type item numbers are recommended part to stock for servicing.

SIDE PORTS

Order code	Item	Date begin	Date end	Part number	Part name	Qty. per model/kit	
G	F10	94-12		508133	Servo piston seal ring (SB-1997-009)	1	
	F11	94-12		019950 (9004100-1150)	O-ring	1	
	F24	94-12		511119	Feedback lever	1	
	F26	94-12		396879	Set screw	1	
	F28	94-12		042465	Set screw	1	
	F120	94-12		510076	Servo piston assembly	1	
	G10	94-12		502403	End cap, side ports (SB-1996-005)	1	
	G12	94-12		515965 (9005110-5600)	Plug	2	
	G12A	94-12		085043 (9004201-3700)	O-ring	2	
	G32	94-12		914127 (9007314-1213)	Screw	4	
	G34	94-12		283325 (9007314-1211)	Screw	4	
	G36	94-12		364968	O-ring	2	
	G60	94-12		501200	End cap gasket (SB-1993-006)	1	
	R	F10	92-33		508133	Servo piston seal ring (SB-1997-009)	1
		F11	92-33		019950 (9004100-1150)	O-ring	1
F24		92-33		511120	Feedback lever	1	
F26		92-33		396879	Set screw	1	
F28		92-33		042465	Set screw	1	
F120		92-33		510076	Servo piston assembly	1	
G10		92-33		516058	End cap, side ports (SB-1996-005, SB-2002-001)	1	
G12		95-07		515965 (9005110-5600)	Plug	5	
"		92-33	95-06	515965 (9005110-5600)	Plug	7	
G12A		95-07		085043 (9004201-3700)	O-ring	5	
"		92-33	95-07	085043 (9004201-3700)	O-ring	7	
G18		95-07		504519	Plug	2	
"		92-33	95-06	092114 (9007712-0604)	Set screw	2	
G18A		95-07		039297 (9004201-1200)	O-ring	2	
G30		92-33		504519	Plug	2	
G30A		92-33		039297 (9004201-1200)	O-ring	2	
G32		92-33		914127 (9007314-1213)	Screw	4	
G34		92-33		283325 (9007314-1211)	Screw	4	
G36		92-33		364968	O-ring	1	
G50		92-33		001511 (9005100-4400)	Plug	2	
G50A		92-33		001123 (9004201-2500)	O-ring	2	
G60		92-33		501200	End cap gasket (SB-1993-006)	1	

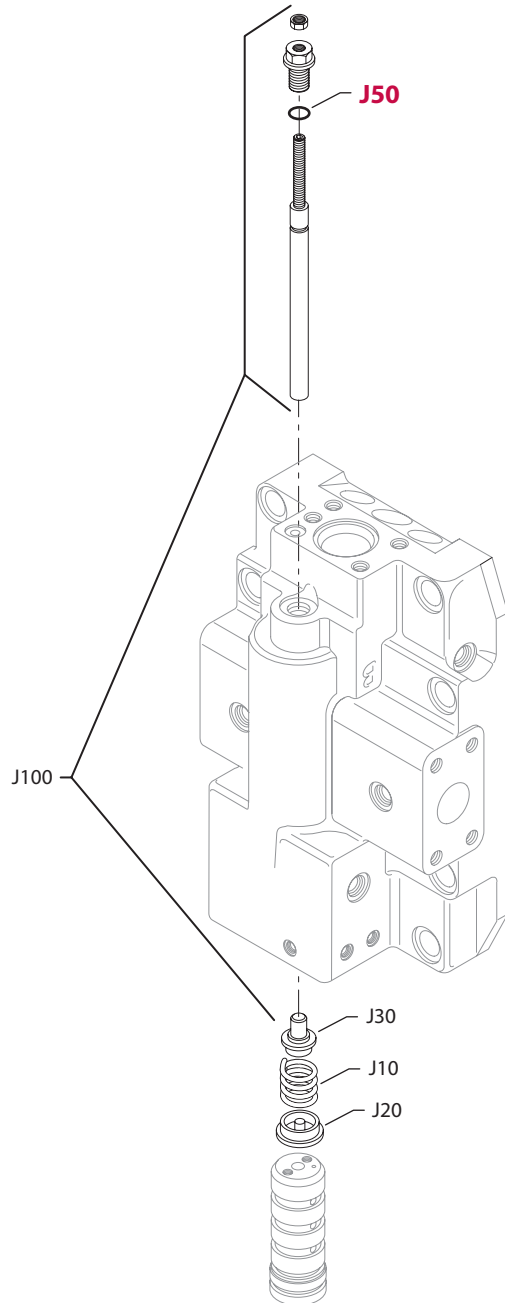


E100 653E

Enlarged **bold** type item numbers are recommended part to stock for servicing.

SIDE PORTS

Order code	Item	Date begin	Date end	Part number	Part name	Qty. per model/kit
V	F10	92-33		508133	Servo piston seal ring (SB-1997-009)	1
	F11	92-33		019950 (9004100-1150)	O-ring	1
	F24	92-33		511120	Feedback lever	1
	F26	92-33		396879	Set screw	1
	F28	92-33		042465	Set screw	1
	F120	92-33		510076	Servo piston assembly	1
	G10	92-33		518904	End cap, side ports, metric	1
	G12	95-07		515965 (9005110-5600)	Plug	5
	"	92-33	95-06	515965 (9005110-5600)	Plug	7
	G12A	95-07		085043 (9004201-3700)	O-ring	5
	"	92-33	95-07	085043 (9004201-3700)	O-ring	7
	G18	95-07		504519	Plug	2
	"	92-33	95-06	092114 (9007712-0604)	Set screw	2
	G18A	95-07		039297 (9004201-1200)	O-ring	2
	G30	92-33		504519	Plug	2
	G30A	92-33		039297 (9004201-1200)	O-ring	2
	G32	92-33		914127 (9007314-1213)	Screw	4
	G34	92-33		283325 (9007314-1211)	Screw	4
	G36	92-33		364968	O-ring	1
	G50	92-33		001511 (9005100-4400)	Plug	2
	G50A	92-33		001123 (9004201-2500)	O-ring	2
	G60	92-33		501200	End cap gasket (SB-1993-006)	1
W	F10	92-33		508133	Servo piston seal ring (SB-1997-009)	1
	F11	92-33		019950 (9004100-1150)	O-ring	1
	F24	92-33		511120	Feedback lever	1
	F26	92-33		396879	Set screw	1
	F28	92-33		042465	Set screw	1
	F120	92-33		510076	Servo piston assembly	1
	G10	92-33		518911	End cap, side ports, metric	1
	G12	95-07		515965 (9005110-5600)	Plug	3
	G12A	95-07		085043 (9004201-3700)	O-ring	3
	G13	95-07		664524 (9005110-9000)	Plug	2
	G13A	95-07		001156 (9004201-7500)	O-ring	2
	G18	95-07		504519	Plug	2
	G18A	95-07		039297 (9004201-1200)	O-ring	2
	G30	92-33		504519	Plug	2
	G30A	92-33		039297 (9004201-1200)	O-ring	2
	G32	92-33		914127 (9007314-1213)	Screw	4
	G34	92-33		283325 (9007314-1211)	Screw	4
	G36	92-33		364968	O-ring	1
	G50	92-33		001511 (9005100-4400)	Plug	2
	G50A	92-33		001123 (9004201-2500)	O-ring	2
	G60	92-33		501200	End cap gasket (SB-1993-006)	1

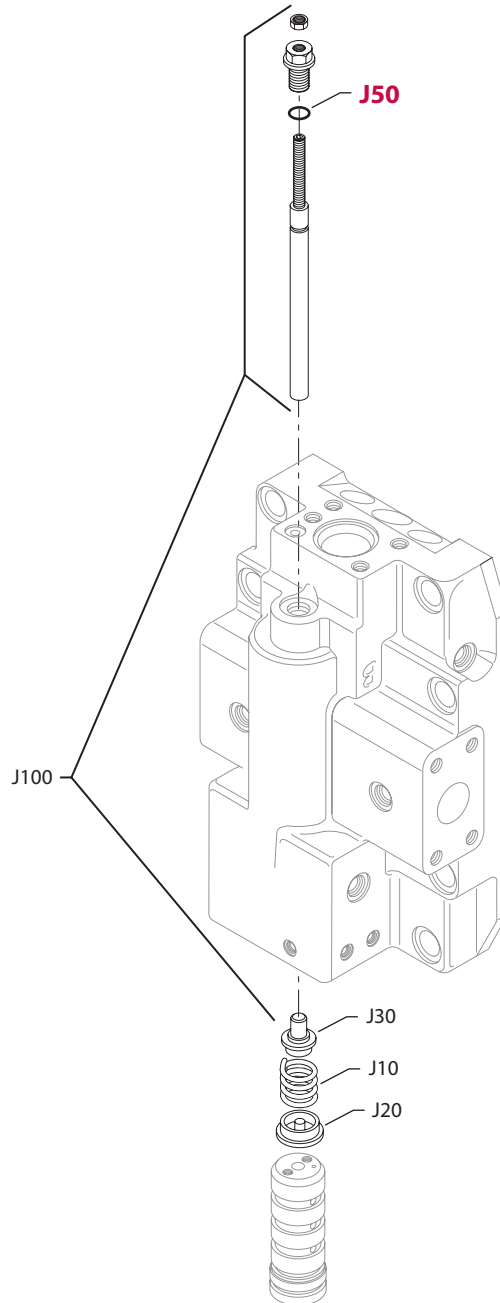


E100 299E

Enlarged **bold** type item numbers are recommended part to stock for servicing.

THRESHOLD/RANGE

Order code	Item	Date begin	Date end	Part number	Part name	Qty. per model/kit
A	J10	92-33		507638	Spring	1
2-5 bar	J20	93-34		501347	Spring seat	1
	"	92-33	93-33	722231	Spring seat - OBSOLETE	1
	J30	96-07		507670	Spring seat (SB-1995-013)	1
	J50	92-33		732479 (9004105-0100)	O-ring	1
	J100	92-33		507693	Threshold adjustment kit (SB-1995-013)	1
B	J10	92-33		722215	Spring	1
5-12 bar	J20	93-34		501347	Spring seat	1
	"	92-33	93-33	722231	Spring seat - OBSOLETE	1
	J30	96-07		507670	Spring seat (SB-1995-013)	1
	J50	92-33		732479 (9004105-0100)	O-ring	1
	J100	92-33		507693	Threshold adjustment kit (SB-1995-013)	1
C	J10	92-33		722207	Spring	1
12-50 bar	J20	93-34		501347	Spring seat	1
	"	92-33	93-33	722231	Spring seat - OBSOLETE	1
	J30	96-07		507670	Spring seat (SB-1995-013)	1
	J50	92-33		732479 (9004105-0100)	O-ring	1
	J100	92-33		507693	Threshold adjustment kit (SB-1995-013)	1
F	J10	92-33		729459	Spring	1
5-8 bar						
G	J10	92-33		722207	Spring	1
3-5 bar	J20	93-34		501347	Spring seat	1
	"	92-33	93-33	722231	Spring seat - OBSOLETE	1
	J30	96-07		507670	Spring seat (SB-1995-013)	1
	J50	92-33		732479 (9004105-0100)	O-ring	1
	J100	92-33		507693	Threshold adjustment kit (SB-1995-013)	1
H	J10	92-33		722207	Spring	1
5-8 bar	J20	93-34		501347	Spring seat	1
	"	92-33	93-33	722231	Spring seat - OBSOLETE	1
	J30	96-07		507670	Spring seat (SB-1995-013)	1
	J50	92-33		732479 (9004105-0100)	O-ring	1
	J100	92-33		507693	Threshold adjustment kit (SB-1995-013)	1
J	J10	92-33		722215	Spring	1
15-50 mA	J20	93-34		501347	Spring seat	1
	"	92-33	93-33	722231	Spring seat - OBSOLETE	1
	J30	96-07		507670	Spring seat (SB-1995-013)	1
	J50	92-33		732479 (9004105-0100)	O-ring	1
	J100	92-33		507693	Threshold adjustment kit (SB-1995-013)	1

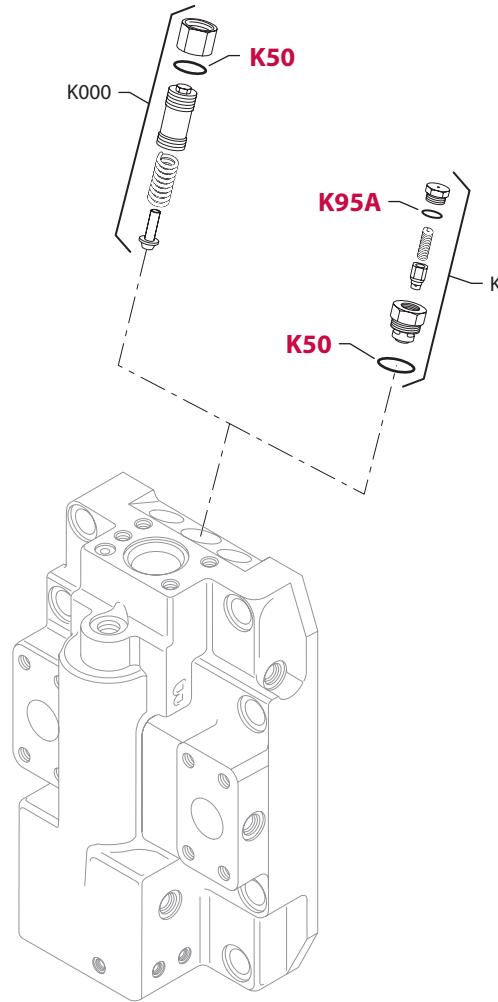


E100 299E

Enlarged **bold** type item numbers are recommended part to stock for servicing.

THRESHOLD/RANGE

Order code	Item	Date begin	Date end	Part number	Part name	Qty. per model/kit
K 50-85 mA	J10	92-33		722207	Spring	1
	J20	93-34		501347	Spring seat	1
	"	92-33	93-33	722231	Spring seat - OBSOLETE	1
	J30	96-07		507670	Spring seat (SB-1995-013)	1
	J50	92-33		732479 (9004105-0100)	O-ring	1
	J100	92-33		507693	Threshold adjustment kit (SB-1995-013)	1
L 110-370 bar	J10	94-33		722215	Spring	1
	J20	94-33		501347	Spring seat	1
	J30	96-07		507670	Spring seat (SB-1995-013)	1
	J50	94-33		732479 (9004105-0100)	O-ring	1
	J100	94-33		507693	Threshold adjustment kit (SB-1995-013)	1
	N				No parts	
R 320 mA	J10	99-35		507638	Spring	1
	J20	99-35		501347	Spring seat	1
	J30	99-35		507670	Spring seat	1
	J50	99-35		732479 (9004105-0100)	O-ring	1
	J100	99-35		507693	Threshold adjustment kit	1
	S 640 mA	J10	99-35		507638	Spring
J20		99-35		501347	Spring seat	1
J30		99-35		507670	Spring seat	1
J50		99-35		732479 (9004105-0100)	O-ring	1
J100		99-35		507693	Threshold adjustment kit	1
V 220 mA		J10	95-35		507638	Spring
	J20	95-35		501347	Spring seat	1
	J30	96-07		507670	Spring seat (SB-1995-013)	1
	J50	95-35		732479 (9004105-0100)	O-ring	1
	J100	95-35		507693	Threshold adjustment kit (SB-1995-013)	1
	W 440 mA	J10	95-35		507638	Spring
J20		95-35		501347	Spring seat	1
J30		96-07		507670	Spring seat (SB-1995-013)	1
J50		95-35		732479 (9004105-0100)	O-ring	1
J100		95-35		507693	Threshold adjustment kit (SB-1995-013)	1

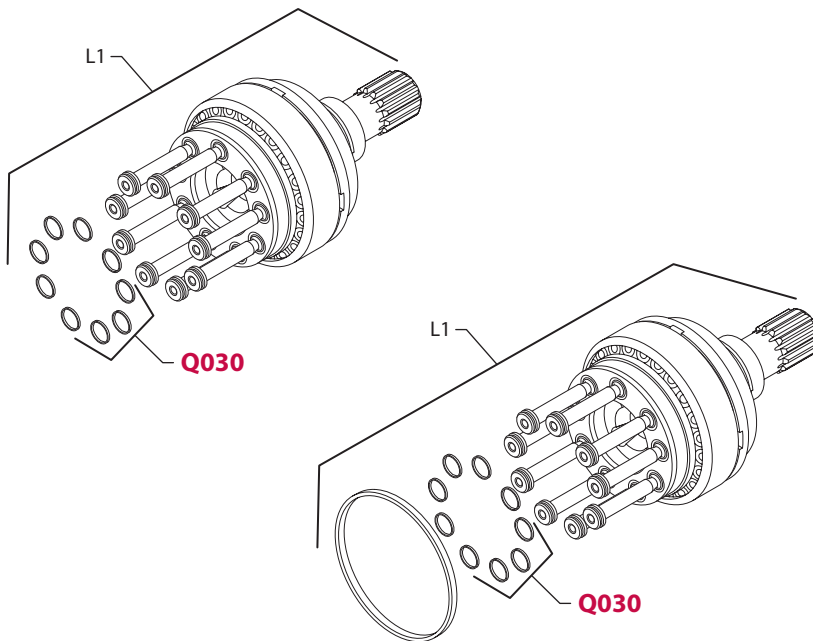
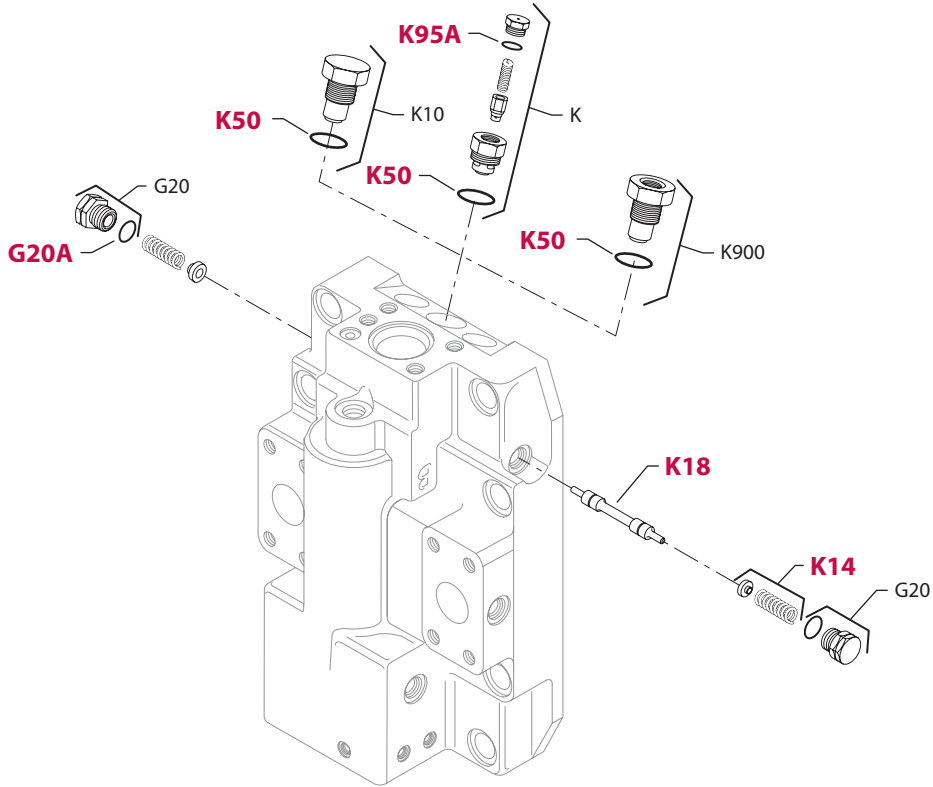


E100 300E

Enlarged **bold** type item numbers are recommended part to stock for servicing.

CHARGE RELIEF

Order code	Item	Date begin	Date end	Part number	Part name	Qty. per model/kit
00		92-33	01-18	None		
10-99	K000	92-33	01-17	8510012	Charge relief valve kit	1
	K50	92-33	01-17	001149 (9004201-6200)	O-ring	1
A0	K	97-25		8510253	Cartridge kit, 13 bar, 11 l/min	1
	K50	97-25		001149 (9004201-6200)	O-ring	1
	K95A	97-25		085043 (9004201-3700)	O-ring	1
A3	K	97-25		8510256	Cartridge kit, 13 bar, 16 l/min	1
	K50	97-25		001149 (9004201-6200)	O-ring	1
	K95A	97-25		085043 (9004201-3700)	O-ring	1
B0	K	97-25		8510254	Cartridge kit, 13 bar, 22 l/min	1
	K50	97-25		001149 (9004201-6200)	O-ring	1
	K95A	97-25		085043 (9004201-3700)	O-ring	1
B3	K	97-25		8510243	Cartridge kit, 13 bar, 27 l/min	1
	K50	97-25		001149 (9004201-6200)	O-ring	1
	K95A	97-25		085043 (9004201-3700)	O-ring	1
E4	K	97-25		8510261	Cartridge kit, 16 bar, 4 l/min	1
	K50	97-25		001149 (9004201-6200)	O-ring	1
	K95A	97-25		085043 (9004201-3700)	O-ring	1
E6	K	97-25		8510252	Cartridge kit, 16 bar, 7 l/min	1
	K50	97-25		001149 (9004201-6200)	O-ring	1
	K95A	97-25		085043 (9004201-3700)	O-ring	1
F0	K	97-25		8510259	Cartridge kit, 16 bar, 11 l/min	1
	K50	97-25		001149 (9004201-6200)	O-ring	1
	K95A	97-25		085043 (9004201-3700)	O-ring	1
F3	K	97-25		8510262	Cartridge kit, 16 bar, 16 l/min	1
	K50	97-25		001149 (9004201-6200)	O-ring	1
	K95A	97-25		085043 (9004201-3700)	O-ring	1
G0	K	97-25		8510260	Cartridge kit, 16 bar, 22 l/min	1
	K50	97-25		001149 (9004201-6200)	O-ring	1
	K95A	97-25		085043 (9004201-3700)	O-ring	1
G3	K	97-25		8510263	Cartridge kit, 16 bar, 27 l/min	1
	K50	97-25		001149 (9004201-6200)	O-ring	1
	K95A	97-25		085043 (9004201-3700)	O-ring	1



E100 654E

Enlarged **bold** type item numbers are recommended part to stock for servicing.

CHARGE RELIEF

Order code	Item	Date begin	Date end	Part number	Part name	Qty. per model/kit
J4	K900	02-13		518164	Adapter	1
	K50	02-13		001149 (9004201-6200)	O-ring	1
N4	K	97-25		8510255	Cartridge kit, 13 bar, 4 l/min	1
	K50	97-25		001149 (9004201-6200)	O-ring	1
	K95A	97-25		085043 (9004201-3700)	O-ring	1
N6	K	97-25		8510251	Cartridge kit, 13 bar, 7 l/min	1
	K50	97-25		001149 (9004201-6200)	O-ring	1
	K95A	97-25		085043 (9004201-3700)	O-ring	1
NN	K10	97-25		511826	Plug	1
	K50	97-25		001149 (9004201-6200)	O-ring	1

LOOP FLUSHING

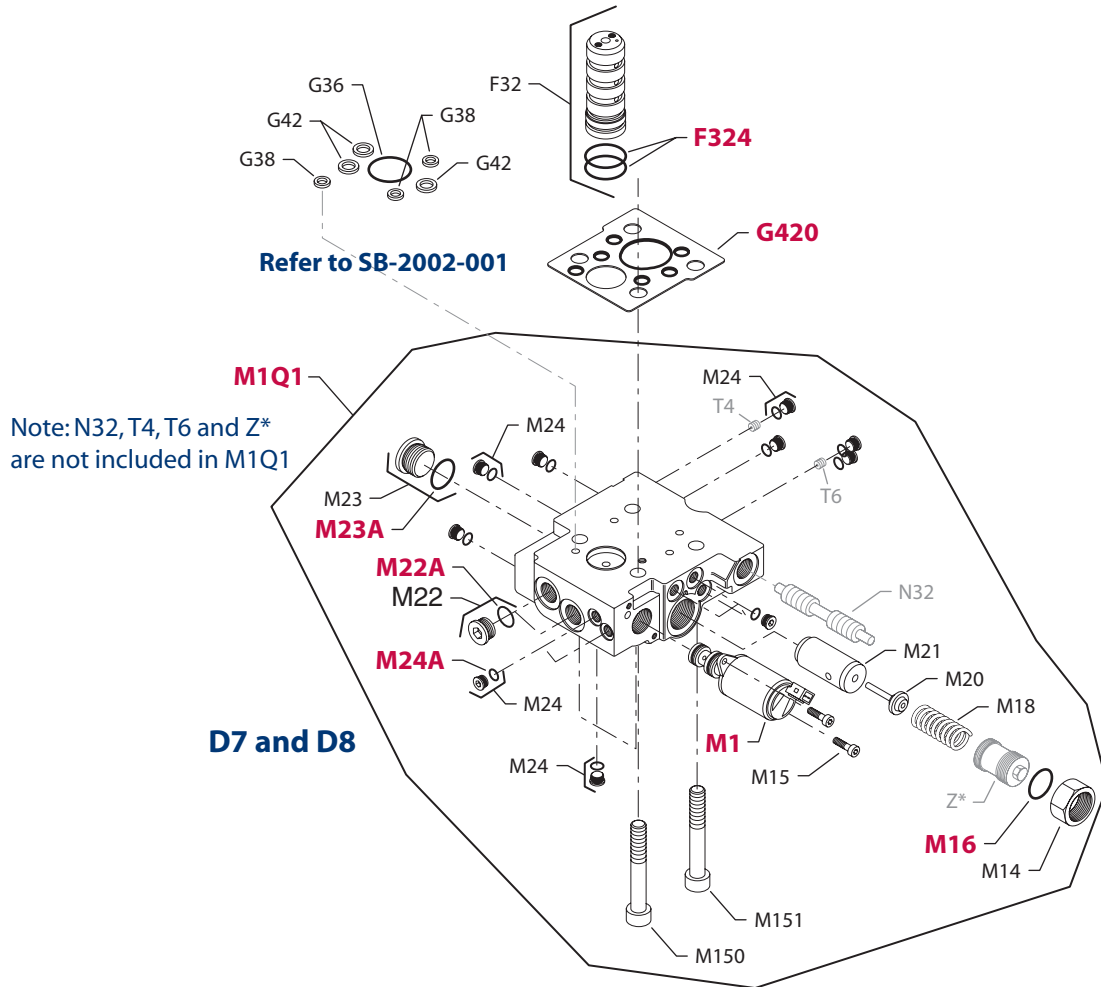
AA	G20	92-33		518016	Plug assembly	2
	G20A	92-33		085043 (9004201-3700)	O-ring	2
	K14	92-33		513596	Spring guide assembly (SB-2000-044)	2
	K18	92-33		367789	Shuttle spool	1
NN				No parts		

SHAFT COMMON PARTS

	Q030	97-25		773259	Piston ring kit	1
--	------	-------	--	--------	-----------------	---

SHAFT

C8	L1	92-33		725499	Shaft, 27 tooth spline without speed ring	1
D3	L1	92-33		513039	Shaft, 18 t. spline without speed ring (SB-1999-059)	1
	"	92-33		513023	Shaft, 18 tooth spline with speed ring (SB-1999-059)	1
D4	L1	92-33		513038	Shaft, 21 tooth without speed ring (SB-1999-059)	1
F1	L1	92-33		725507	Shaft, 13 tooth spline without speed ring	1
	"	92-33		515409	Shaft, 13 tooth spline with speed ring	1

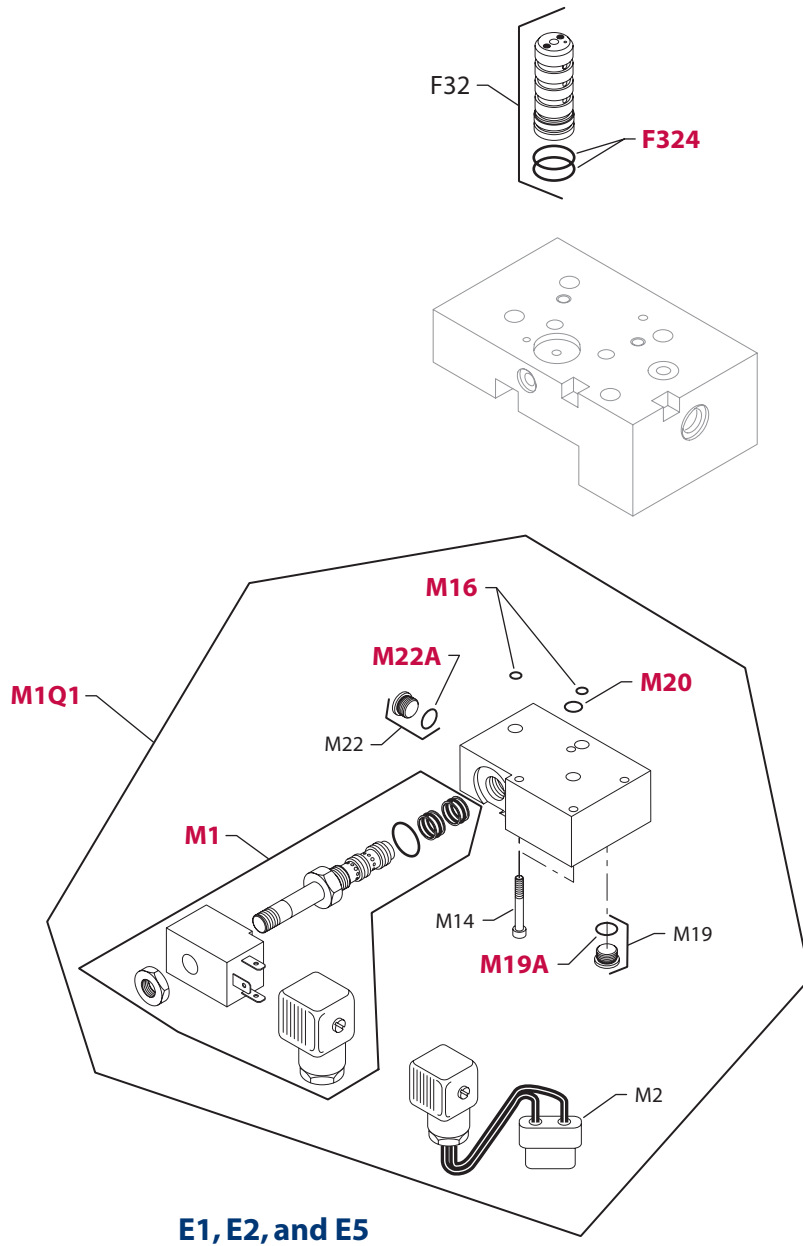


E100 655E

Enlarged **bold** type item numbers are recommended part to stock for servicing.

SOLENOID PROPORTIONAL

Order code	Item	Date begin	Date end	Part number	Part name	Qty. per model/kit
D7 & D8	F32	99-35		727115	4-way valve assembly	1
	F324	99-35		730036	O-ring	2
	G36	99-35	03-07	364968	O-ring (SB-2002-001) <i>not included in M1Q1</i>	1
	G38	99-35	03-07	792739	O-ring (SB-2002-001) <i>not included in M1Q1</i>	3
	G42	99-35	03-07	754580	O-ring (SB-2002-001) <i>not included in M1Q1</i>	3
	G420	03-08		511810	Gasket/O-ring seal (SB-2002-001) <i>not included in M1Q1</i>	1
(D7)	M1	99-35		518080	Solenoid valve, 12 volt, Jet connector	1
(D8)	M1	99-35		518081	Solenoid valve, 24 volt, Jet connector	1
(D7)	M1Q1	99-35		518257	Control kit, 12 volt, Jet connector	1
(D8)	M1Q1	99-35		518256	Control kit, 24 volt, Jet connector	1
	M14	99-35		342709	Nut	1
	M15	99-35		067694	Screw	2
	M16J	99-35		001149 (9004201-6200)	O-ring	1
	M18	99-35		509152	Spring	1
	M20	99-35		501876	PCOR spool	1
	M21	99-35		501885	PCOR valve bushing	1
	M22	99-35		515965 (9005110-5600)	Plug	2
	M22A	99-35		085043 (9004201-3700)	O-ring	2
	M23	99-35		315325	Plug	1
	M23A	99-35		001149 (9004201-6200)	O-ring	1
	M24	99-35		504519	Plug	15
	M24	99-35		039297 (9004201-1200)	O-ring	15
	M150	99-35		739664	Screw	2
	M151	99-35		680686	Screw	2

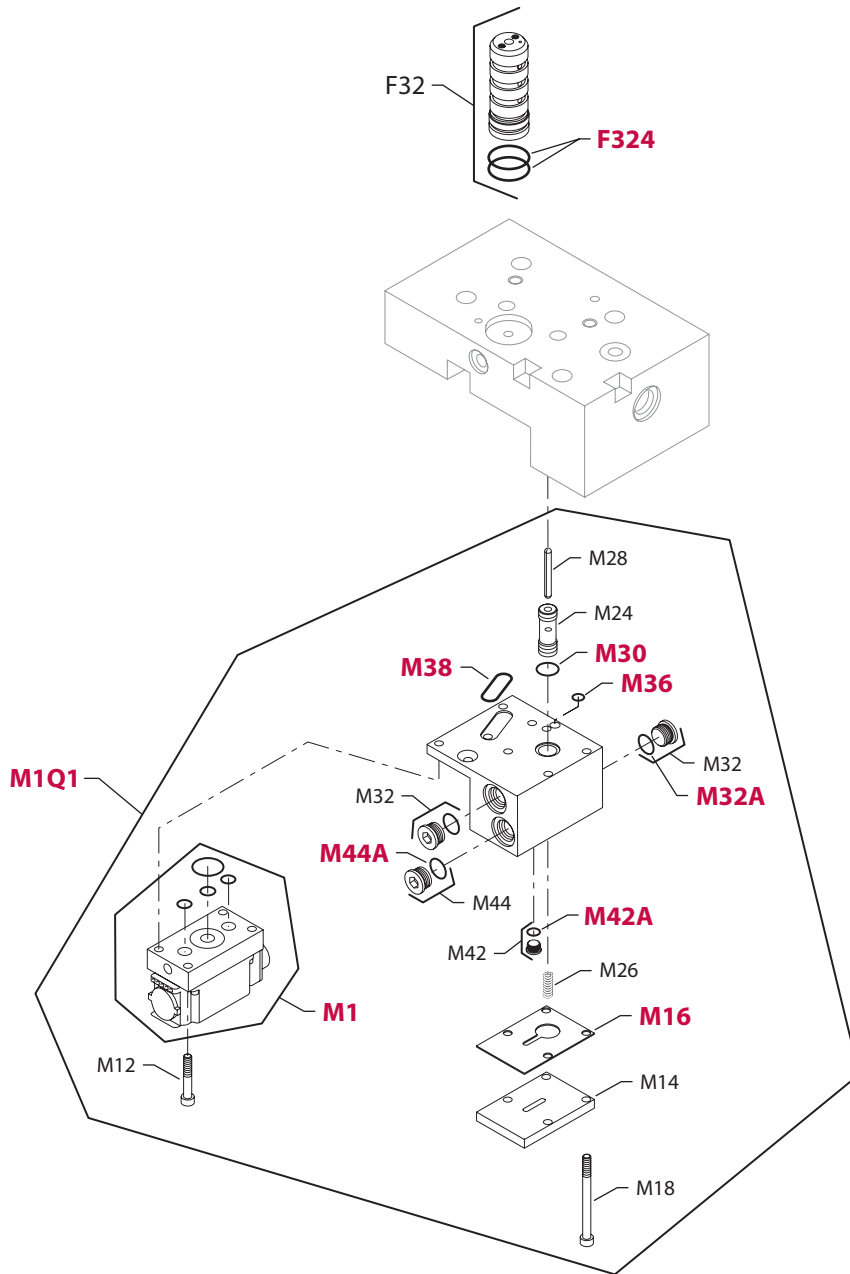


E100 257E

Enlarged **bold** type item numbers are recommended part to stock for servicing.

ELECTRIC 2-POSITION

Order code	Item	Date begin	Date end	Part number	Part name	Qty. per model/kit
E1	F32	92-33		727115	4-way valve assembly	1
	F324	92-33		730036	O-ring	2
	M1	92-33		784942	Solenoid valve, 12 volt, DIN connector	1
	M1Q1	92-33		503618	Control kit, 12 volt, DIN connector	1
	M14	92-33		329599	Screw	4
	M16	92-33		732479 (9004105-0100)	O-ring	2
	M19	92-33		515965 (9005110-5600)	Plug	1
	M19A	92-33		085043 (9004201-3700)	O-ring	1
	M20	92-33		365015	O-ring	1
	M22	92-33		515965 (9005110-5600)	Plug	1
	M22A	92-33		085043 (9004201-3700)	O-ring	1
	E2	F32	92-33		727115	4-way valve assembly
F324		92-33		730036	O-ring	2
M1		92-33		784934	Solenoid valve, 24 volt, DIN connector	1
M1Q1		92-33		503617	Control kit, 24 volt, DIN connector	1
M14		92-33		329599	Screw	4
M16		92-33		732479 (9004105-0100)	O-ring	2
M19		92-33		515965 (9005110-5600)	Plug	1
M19A		92-33		085043 (9004201-3700)	O-ring	1
M20		92-33		365015	O-ring	1
M22		92-33		515965 (9005110-5600)	Plug	1
M22A		92-33		085043 (9004201-3700)	O-ring	1
E5		F32	92-33		727115	4-way valve assembly
	F324	92-33		730036	O-ring	2
	M1	92-33		784942	Solenoid valve, 12 volt, DIN connector	1
	M2	92-33		770115	Packard adapter	1
	M1Q1	92-33		503619	Control kit, 12 volt, with Packard adapter	1
	M14	92-33		329599	Screw	4
	M16	92-33		732479 (9004105-0100)	O-ring	2
	M19	92-33		515965 (9005110-5600)	Plug	1
	M19A	92-33		085043 (9004201-3700)	O-ring	1
	M20	92-33		365015	O-ring	1
	M22	92-33		515965 (9005110-5600)	Plug	1
	M22A	92-33		085043 (9004201-3700)	O-ring	1



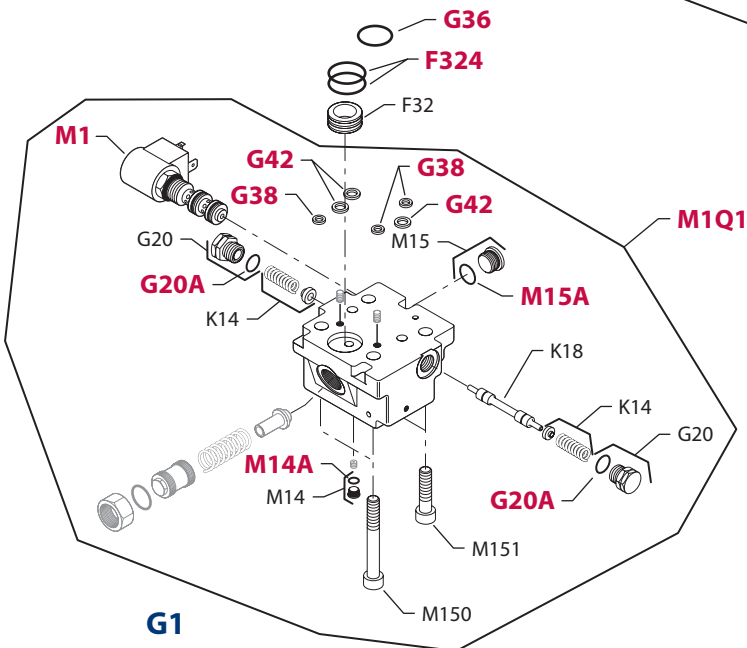
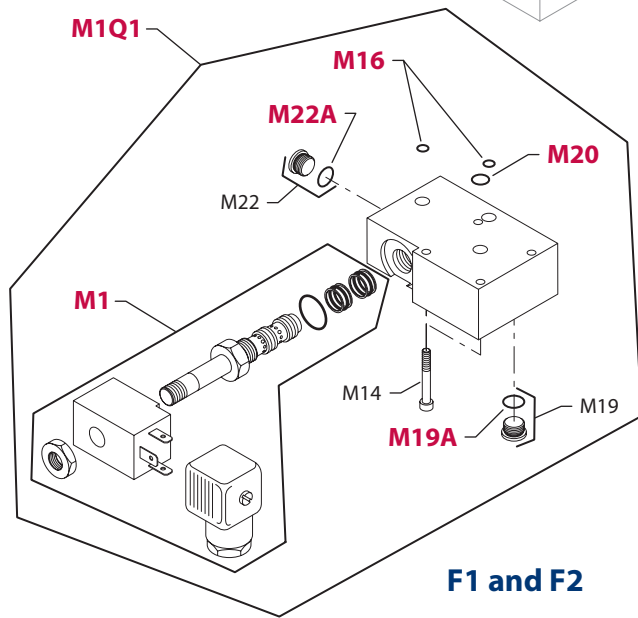
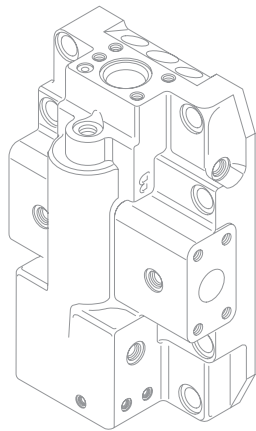
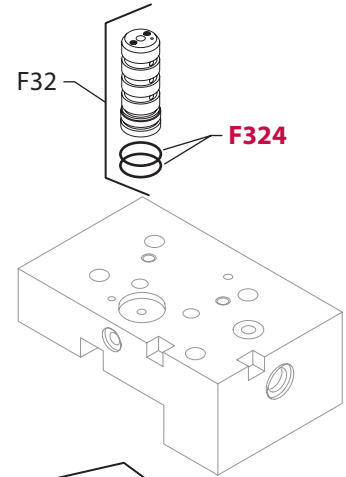
EP, EQ, ER and ES

E100 258E

Enlarged **bold** type item numbers are recommended part to stock for servicing.

ELECTRIC-HYDRAULIC PROPORTIONAL

Order code	Item	Date begin	Date end	Part number	Part name	Qty. per model/kit
	F32	92-33		753186	4-way valve assembly	1
	F324	92-33		730036	O-ring	2
	M12	92-33		067678 (9007315-0504)	Screw	4
	M14	92-33		751883	Cover	1
	M16	92-33		504358	Gasket	1
	M18	92-33		771832	Screw	4
	M24	92-33		741942	Piston	1
	M26	92-33		717454	Spring	1
	M28	92-33		742320	Pin	1
	M30	92-33		056770 (9004105-0150)	O-ring	1'
	M32	92-33		515965 (9005110-5600)	Plug	2
	M32A	92-33		085043 (9004201-3700)	O-ring	2
	M36	92-33		732479 (9004105-0100)	O-ring	1
	M38	92-33		011395 (9004104-0230)	O-ring	1
	M42	92-33		504519	Plug	1
	M42A	92-33		039297 (9004201-1200)	O-ring	1
EP	M1	92-33		731109 (MCV110A1058)	PCP, Packard connector	1
	M1Q1	92-33		503791	Control kit, Packard connector	1
EQ	M1	92-33		701417 (MCV110A1017)	PCP, MS connector	1
	M1Q1	92-33		503790	Control kit, MS connector	1
ER	M1	95-17		731109 (MCV110A1058)	PCP, Packard connector	1
	M1Q1	95-17		507391	Control kit, Packard connector	1
	M44	95-17		515965 (9005110-5600)	Plug	1
	M44A	95-17		085043 (9004201-3700)	O-ring	1
ES	M1	95-17		701417 (MCV110A1017)	PCP, MS connector	1
	M1Q1	95-17		507393	Control kit, MS connector	1
	M44	95-17		515965 (9005110-5600)	Plug	1
	M44A	95-17		085043 (9004201-3700)	O-ring	1

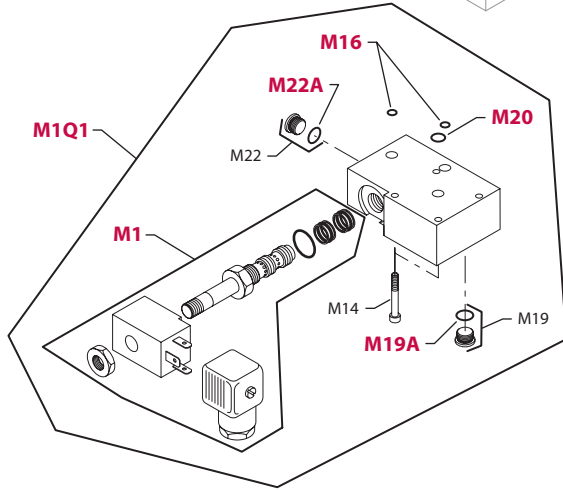
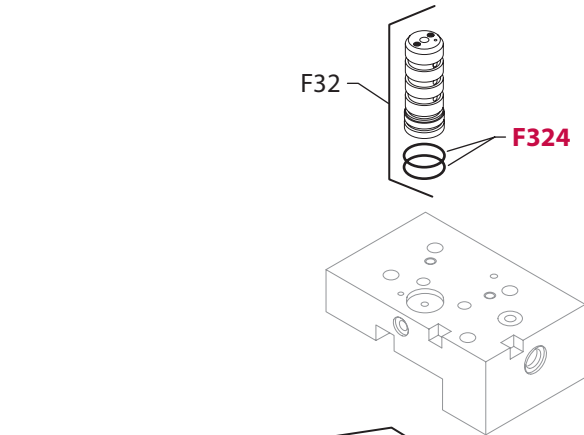


E100 302E

Enlarged **bold** type item numbers are recommended part to stock for servicing.

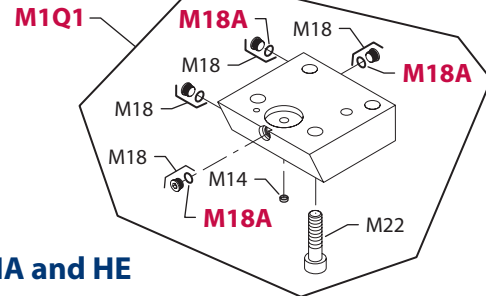
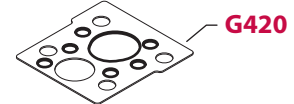
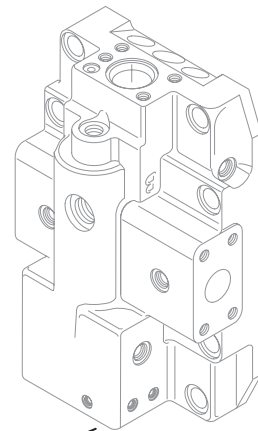
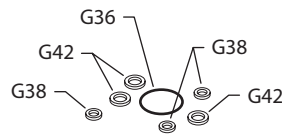
ELECTRIC/HYDRAULIC 2-POSITION

Order code	Item	Date begin	Date end	Part number	Part name	Qty. per model/kit
F1	F32	92-33		500820	4-way valve assembly	1
	F324	92-33		730036	O-ring	2
	M1	92-33		784942	Solenoid valve, 12 volt, DIN connector	1
	M1Q1	92-33		503618	Control kit, 12 volt, DIN connector	1
	M14	92-33		329599 (9007315-0508)	Screw	4
	M16	92-33		732479 (9004105-0100)	O-ring	2
	M19	92-33		515965 (9005110-5600)	Plug	1
	M19A	92-33		085043 (9004201-3700)	O-ring	1
	M20	92-33		365015	O-ring	1
	M22	92-33		515965 (9005110-5600)	Plug	1
	M22A	92-33		085043 (9004201-3700)	O-ring	1
	F2	F32	92-33		500820	4-way valve assembly
F324		92-33		730036	O-ring	2
M1		92-33		784934	Solenoid valve, 24 volt, DIN connector	1
M1Q1		92-33		503617	Control kit, 24 volt, DIN connector	1
M14		92-33		329599 (9007315-0508)	Screw	4
M16		92-33		732479 (9004105-0100)	O-ring	2
M19		92-33		515965 (9005110-5600)	Plug	1
M19A		92-33		085043 (9004201-3700)	O-ring	1
M20		92-33		365015	O-ring	1
M22		92-33		515965 (9005110-5600)	Plug	1
M22A		92-33		085043 (9004201-3700)	O-ring	1
G1		F32	94-12		509723	4-way valve assembly
	F324	94-12		730036	O-ring	2
	G20	94-12		518016	Plug	2
	G20A	94-12		085043 (9004201-3700)	O-ring	2
	G36	94-12		364968	O-ring	1
	G38	94-12		792739	O-ring	3
	G42	94-12		754580	O-ring	3
	K14	94-12		513596	Spring guide assembly	2
	K18	94-12		502398	Spool	1
	M1	94-12		502404	Solenoid valve, 12 volt, DIN connector	1
	M1Q1	94-12		507130	Control kit, 12 volt, DIN connector	1
	M14	94-12		504519	Plug	1
	M14A	94-12		039297 (9004201-1200)	O-ring	1
	M15	94-12		515965 (9005110-5600)	Plug	1
	M15A	94-12		085043 (9004201-3700)	O-ring	1
	M150	94-12		502580	Screw	2
	M151	94-12		732982	Screw	2



H1 and H2

Refer to SB-2002-001



HA and HE

E100 260 E

Enlarged **bold** type item numbers are recommended part to stock for servicing.

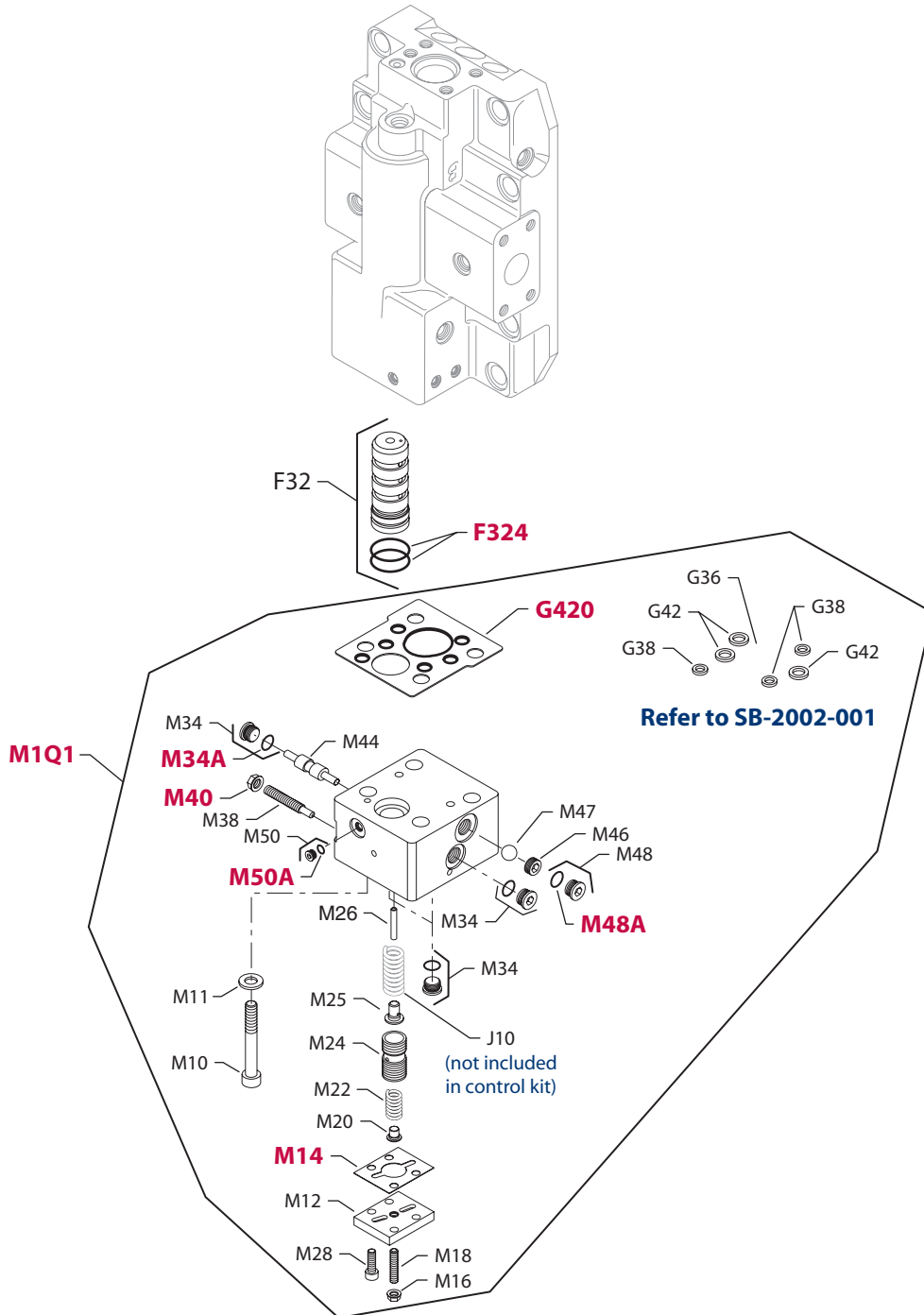
HYDRAULIC PROPORTIONAL WITH ELECTRIC OVERRIDE

H1	F32	92-33		727115	4-way valve assembly	1
	F324	92-33		730036	O-ring	2
	M1	92-33		784942	Solenoid valve, 12 volt, DIN connector	1
	M1Q1	92-33		503613	Control kit	1
	M14	92-33		329599 (9007315-0508)	Screw	4
	M16	92-33		732479 (9004105-0100)	O-ring	2
	M19	92-33		515965 (9005110-5600)	Plug	1
	M19A	92-33		085043 (9004201-3700)	O-ring	1
	M20	92-33		365015	O-ring	1

H2	F32	92-33		727115	4-way valve assembly	1
	F324	92-33		730036	O-ring	2
	M1	92-33		784934	Solenoid valve, 24 volt, DIN connector	1
	M1Q1	92-33		503614	Control kit	1
	M14	92-33		329599 (9007315-0508)	Screw	4
	M16	92-33		732479 (9004105-0100)	O-ring	2
	M19	92-33		515965 (9005110-5600)	Plug	1
	M19A	92-33		085043 (9004201-3700)	O-ring	1
	M20	92-33		365015	O-ring	1

HYDRAULIC PROPORTIONAL

HA & HE	F32	02-44		727115	4-way valve assembly	1
	F324	02-44		730036	O-ring	2
	G36	02-44	03-07	364968	O-ring (SB-2002-001)	1
	G38	02-44	03-07	792739	O-ring (SB-2002-001)	3
	G42	02-44	03-07	754580	O-ring (SB-2002-001)	3
	G420	03-08		511810	Gasket/O-ring seal (SB-2002-001)	1
	M1Q1	02-44		507504	Control kit	1
	M18	02-44		504519	Plug	4
	M18A	02-44		039297 (9004201-1200)	O-ring	4
	M22	02-44		732982 (9007314-1009)	Screw	4

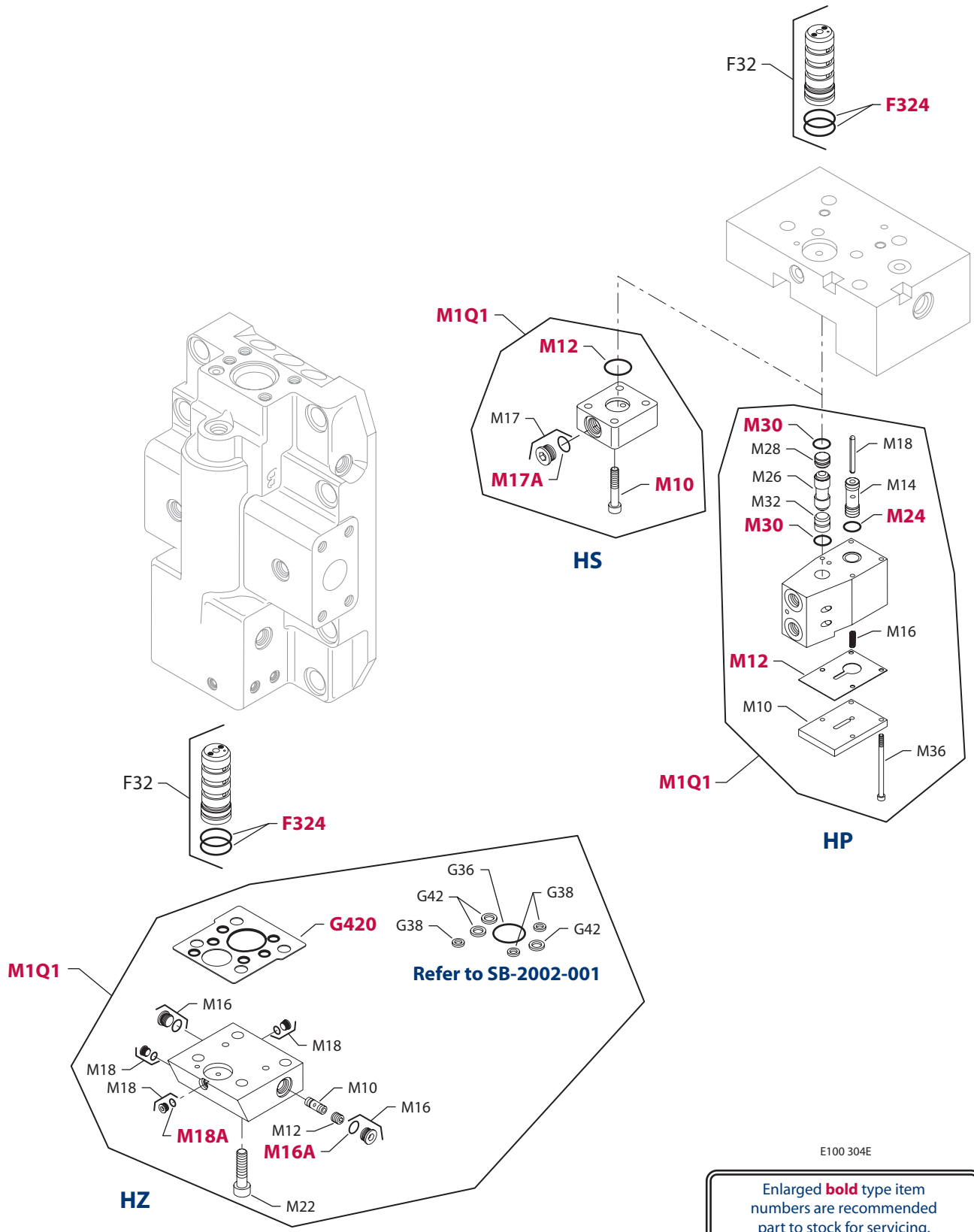


E100 303E

Enlarged **bold** type item numbers are recommended part to stock for servicing.

HYDRAULIC PROPORTIONAL

HC	F32	92-33		728493	4-way valve assembly	1
	F324	92-33		730036	O-ring	2
	G36	92-33	03-07	364968	O-ring (SB-2002-001)	1
	G38	92-33	03-07	792739	O-ring (SB-2002-001)	3
	G42	92-33	03-07	754580	O-ring (SB-2002-001)	3
	G420	03-08		511810	Gasket/O-ring seal (SB-2002-001)	1
	M1Q1	92-33		506879	Control kit	1
	M10	92-33		739664	Screw	4
	M12	92-33		717199	Cover	1
	M14	92-33		509940	Gasket	1
	M16	92-33		517862 (9003509-0006)	Seal nut	1
	M18	92-33		043240	Set screw	1
	M20	92-33		719377	Spring guide	1
	M22	92-33		729434	Spring	1
	M24	92-33		728998	Piston	1
	M25	92-33		728980	Spring seat	1
	M26	92-33		736983	Pin	1
	M28	92-33		704395 (9007314-0604)	Screw	4
	M34	92-33		515965 (9004201-5600)	Plug	4
	M34A	92-33		085043 (9004201-3700)	O-ring	4
	M38	92-33		504667	Venting screw	1
	M40	92-33		505412 (9003509-0008)	Seal nut	1
	M44	92-33		505269	Shuttle valve	1
	M46	92-33		625210	Check ball seat	1
	M47	92-33		916007	Check ball	1
	M48	92-33		515965 (9004201-5600)	Plug	1
	M48A	92-33		085043 (9004201-3700)	O-ring	1
	M50	92-33		504519	Plug	1
	M50A	92-33		039297 (9004201-1200)	O-ring	1

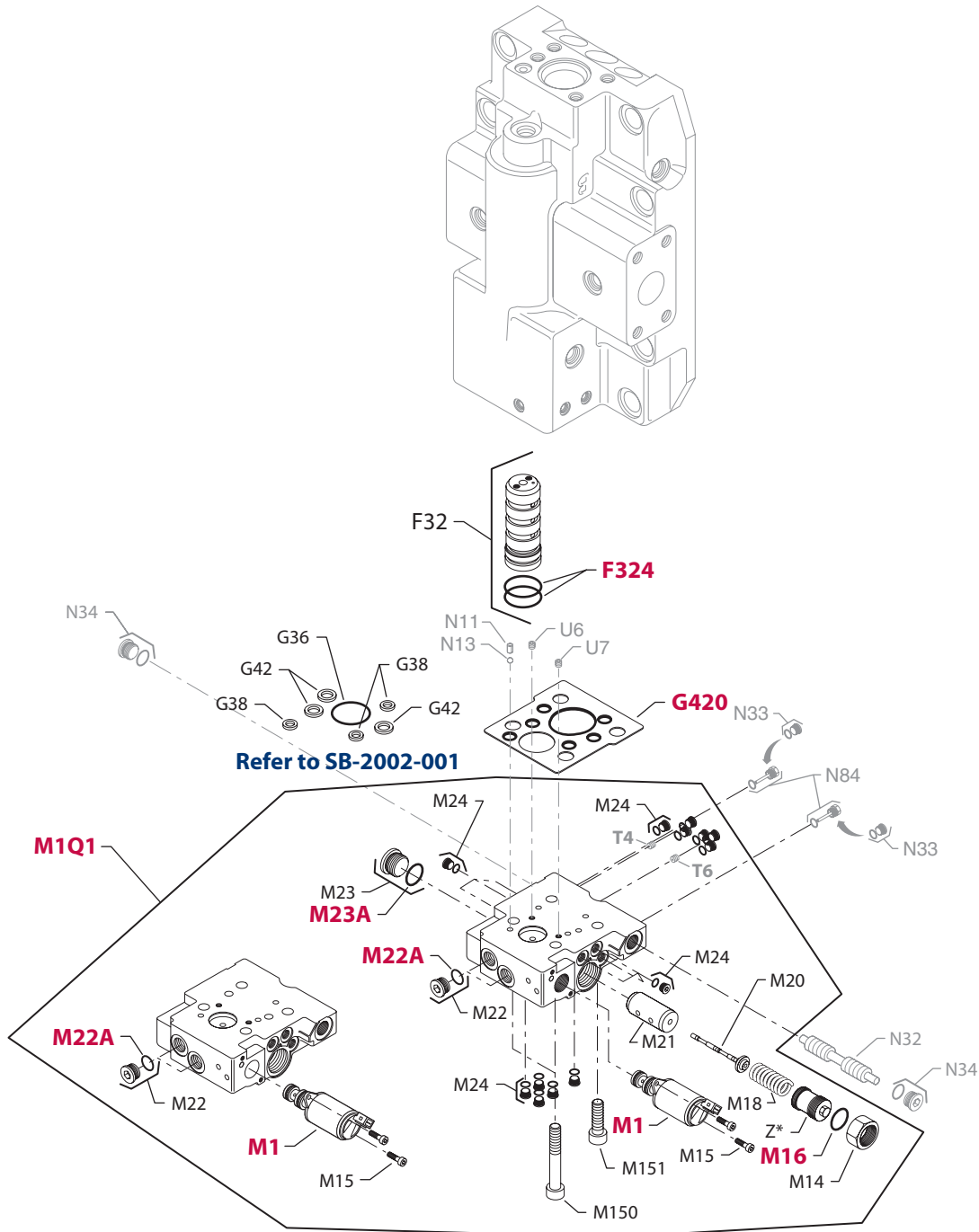


E100 304E

Enlarged **bold** type item numbers are recommended part to stock for servicing.

HYDRAULIC PROPORTIONAL

Order code	Item	Date begin	Date end	Part number	Part name	Qty. per model/kit
HP	F32	91-24		753186	4-way valve assembly	1
	F324	91-24		730036	O-ring	2
	M1Q1	91-24		796482	Control kit	1
	M10	91-24		751883	Cover	1
	M12	91-24		504358	Gasket	1
	M14	91-24		741942	Shuttle piston	1
	M16	91-24		717454	Spring	1
	M18	91-24		742320	Pin	1
	M24	91-24		056770	O-ring	1
	M26	91-24		751644	Shuttle valve	1
	M28	91-24		342246	Sealing plug	1
	M30	91-24		011296 (9004105-0120)	O-ring	2
	M32	91-24		353615	Sealing plug	1
	M36	91-24		771832	Screw	4
HS	F32	91-24		727115	4-way valve assembly	1
	F324	91-24		730036	O-ring	2
	M1Q1	91-24		503804	Control kit	1
	M10	91-24		124115	Screw	4
	M17	91-24		515965 (9005110-5600)	Plug	1
	M17A	91-24		085043 (9004201-3700)	O-ring	1
HZ	F32	92-02		727115	4-way valve assembly	1
	F324	92-02		730036	O-ring	2
	G36	92-02	03-07	364968	O-ring (SB-2002-001)	1
	G38	92-02	03-07	792739	O-ring (SB-2002-001)	3
	G42	92-02	03-07	754580	O-ring (SB-2002-001)	3
	G420	03-08		511810	Gasket/O-ring seal (SB-2002-001)	1
	M1Q1	92-02		503563	Control kit (SB-2002-001)	1
	M10	92-02		759415	Spool valve	1
	M12	92-02		759423	Orifice	1
	M16	92-02		515965 (9005110-5600)	Plug	2
	M16A	92-02		085043 (9004201-3700)	O-ring	2
	M18	92-02		504519	Plug	3
	M18A	92-02		039297 (9004201-1200)	O-ring	3
	M22	92-02		290502	Screw	4



Note: T4, T6 and Z* are not included in M1Q1

E100 305E

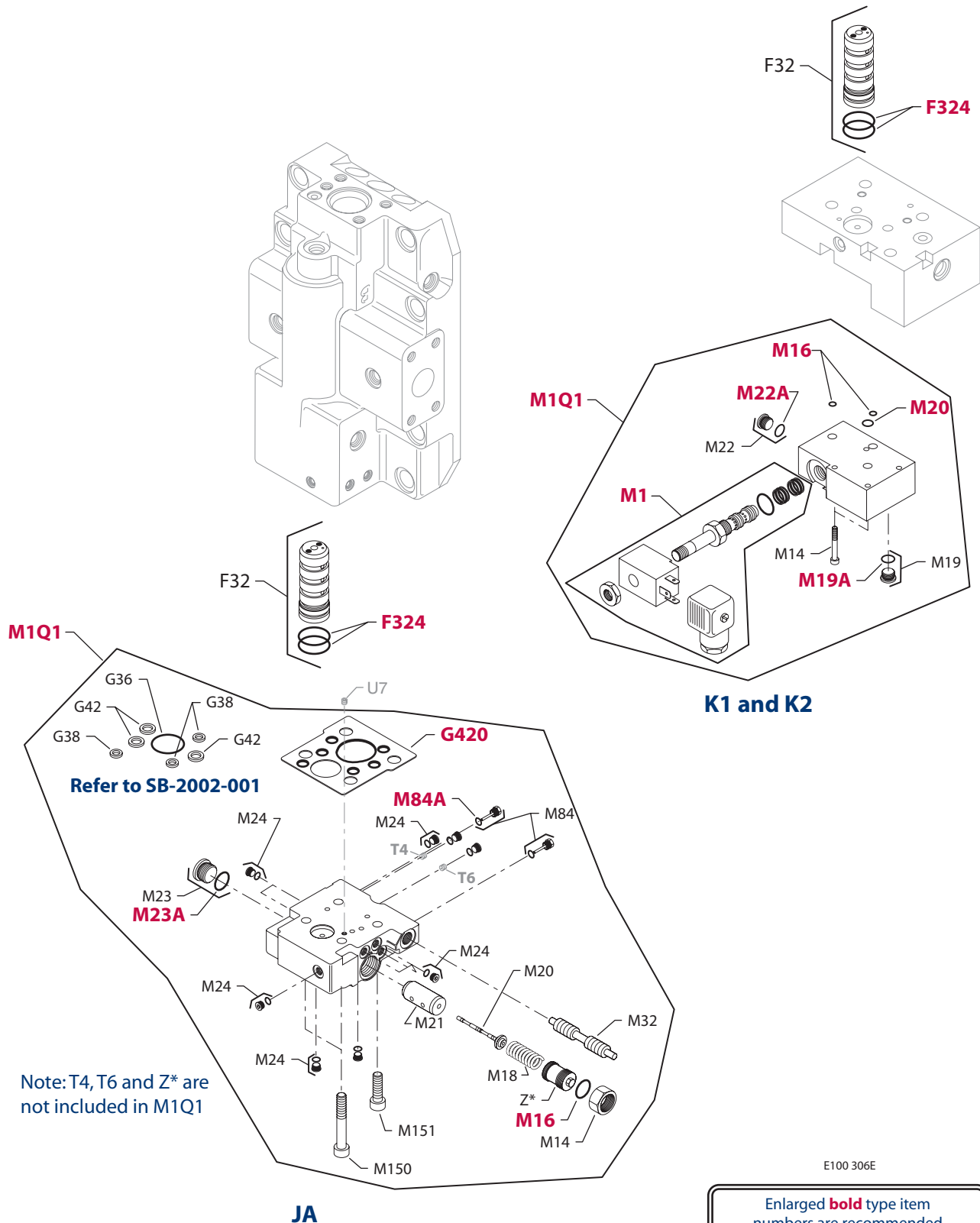
Enlarged **bold** type item numbers are recommended part to stock for servicing.

HYDRAULIC PROPORTIONAL WITH ELECTRIC OVERRIDE COMMON PARTS

Order code	Item	Date begin	Date end	Part number	Part name	Qty. per model/kit
	F32	95-15		727115	4-way valve assembly	1
	F324	95-15		730036	O-ring	2
	G36	95-15	03-07	364968	O-ring (SB-2002-001) <i>not included in M1Q1</i>	1
	G38	95-15	03-07	792739	O-ring (SB-2002-001) <i>not included in M1Q1</i>	3
	G42	95-15	03-07	754580	O-ring (SB-2002-001) <i>not included in M1Q1</i>	3
	G420	03-08		511810	Gasket/O-ring seal (SB-2002-001) <i>not included in M1Q1</i>	1
	M14	95-15		342709 (9003575-0101)	Nut	1
	M16	95-15		001149 (9004201-6200)	O-ring	1
	M18	95-15		509152	Spring	1
	M20	95-15		746016	PCOR spool assembly	1
	M21	95-15		732081	PCOR valve bushing	1
	M23	95-15		315325 (9005110-8700)	Plug	1
	M23A	95-15		001149 (9004201-6200)	O-ring	1
	M150	95-15		739664	Screw	2
	M151	95-15		680686	Screw	2
	Z*	95-15		745661	Adjuster, 100-260 bar	1
	"	95-15		745679	Adjuster, 270-370 bar	1

HYDRAULIC PROPORTIONAL WITH ELECTRIC OVERRIDE

J1	M1	95-15		784942	Solenoid valve, 12 volt, DIN connector	1
	M1Q1	95-15		518230	Control kit, 12 volt, DIN connector	1
	M22	95-15		515965 (9005110-5600)	Plug	1
	M22A	95-15		085043 (9004201-3700)	O-ring	1
	M24	95-15		504519	Plug	21
	M24A	95-15		039297 (9004201-1200)	O-ring	21
J2	M1	95-24		784934	Solenoid valve, 24 volt, DIN connector	1
	M1Q1	95-24		518238	Control kit, 24 volt, DIN connector	1
	M22	95-24		515965 (9005110-5600)	Plug	1
	M22A	95-24		085043 (9004201-3700)	O-ring	1
	M24	95-24		504519	Plug	21
	M24A	95-24		039297 (9004201-1200)	O-ring	21
J3	M1	98-04		518079	Solenoid valve, 12 volt, Jet connector	1
	M1Q1	98-04		507725	Control kit, 12 volt, Jet connector	1
	M15	98-04		067694	Screw	2
	M22	98-04		515965 (9005110-5600)	Plug	2
	M22A	98-04		085043 (9004201-3700)	O-ring	2
	M24	98-04		504519	Plug	17
	M24A	98-04		039297 (9004201-1200)	O-ring	17
	M24A	98-04		039297 (9004201-1200)	O-ring	17
J4	M1	98-39		517214	Solenoid valve, 24 volt, for Jet connector	1
	M1Q1	98-39		511390	Control kit, 24 volt, for Jet connector	1
	M22	98-39		515965 (9005110-5600)	Plug	2
	M22	98-39		515965 (9005110-5600)	Plug	2
	M22A	98-39		085043 (9004201-3700)	O-ring	2
	M24	98-39		504519	Plug	17
	M24A	98-39		039297 (9004201-1200)	O-ring	17
	M24A	98-39		039297 (9004201-1200)	O-ring	17



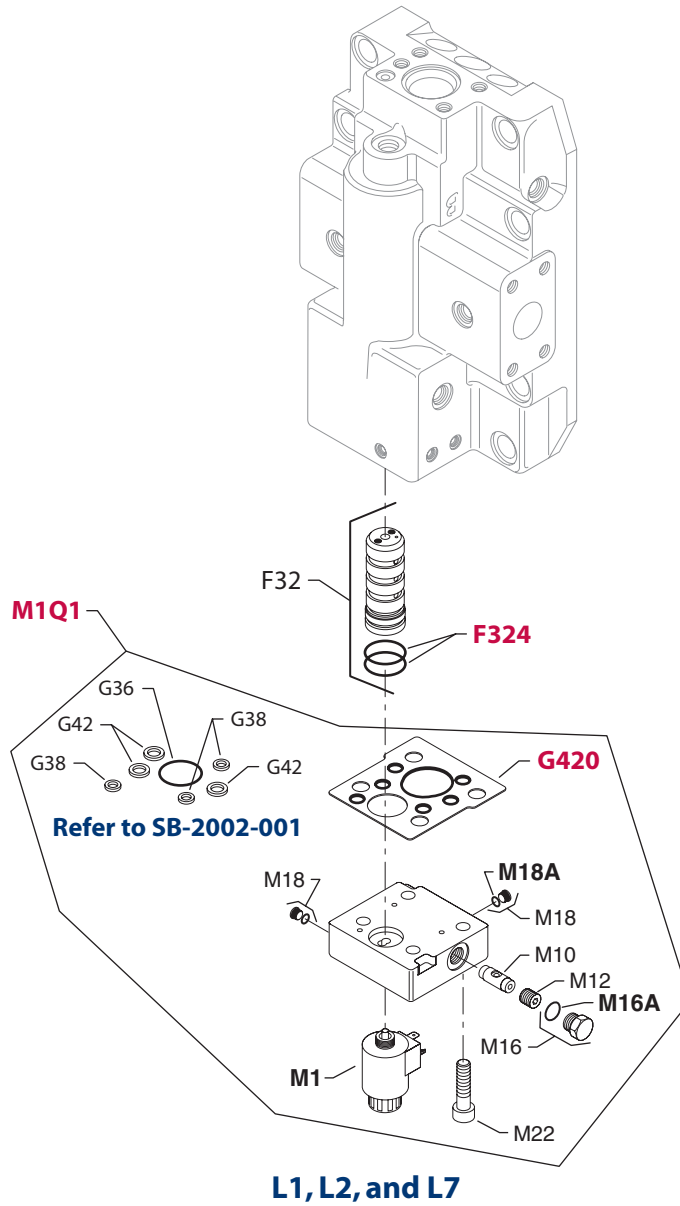
HYDRAULIC PROPORTIONAL

Order code	Item	Date begin	Date end	Part number	Part name	Qty. per model/kit
JA	F32	95-50		727115	4-way valve assembly	1
	F324	95-50		730036	O-ring	2
	G36	95-50	03-07	364968	O-ring (SB-2002-001)	1
	G38	95-50	03-07	792739	O-ring (SB-2002-001)	3
	G42	95-50	03-07	754580	O-ring (SB-2002-001)	3
	G420	03-08		511810	Gasket/O-ring seal (SB-2002-001)	1
	M1Q1	95-50		510264	Control kit	1
	M14	95-50		342709 (9003575-0101)	Nut	1
	M16	95-50		001149 (9004201-6200)	O-ring	1
	M18	95-50		509152	Spring	1
	M20	95-50		501876	PCOR spool assembly	1
	M21	95-50		501885	PCOR valve bushing	1
	M23	95-50		315325 (9005110-8700)	Plug	1
	M23A	95-50		001149 (9004201-6200)	O-ring	1
	M24	95-50		504519	Plug	11
	M24A	95-50		039297 (9004201-1200)	O-ring	11
	M32	95-50		346080	Spool	1
	M84	95-50		735266	Plug assembly	2
	M84A	95-50		039297 (9004201-1200)	O-ring	2
	M150	95-50		739664	Screw	2
	M151	95-50		680686	Screw	2
	Z*	95-50		745661	Adjuster, 100-260 bar	1
	"	95-50		745679	Adjuster. 270-370 bar	1

HYDRAULIC PROPORTIONAL WITH ELECTRIC OVERRIDE

K1	F32	92-33		727115	4-way valve assembly	1
	F324	92-33		730036	O-ring	2
	M1	92-33		784942	Solenoid valve, 12 volt, DIN connector	1
	M1Q1	92-33		503620	Control kit, 12 volt, DIN connector	1
	M14	92-33		329599	Screw	4
	M16	92-33		732479 (9004105-0100)	O-ring	2
	M19	92-33		515965 (9005110-5600)	Plug	1
	M19A	92-33		085043 (9004201-3700)	O-ring	1
	M20	92-33		365015	O-ring	1

K2	F32	92-33		727115	4-way valve assembly	1
	F324	92-33		730036	O-ring	2
	M1	92-33		784934	Solenoid valve, 24 volt, DIN connector	1
	M1Q1	92-33		503806	Control kit, 24 volt, DIN connector	1
	M14	92-33		329599	Screw	4
	M16	92-33		732479 (9004105-0100)	O-ring	2
	M19	92-33		515965 (9005110-5600)	Plug	1
	M19A	92-33		085043 (9004201-3700)	O-ring	1
	M20	92-33		365015	O-ring	1



E100 307E

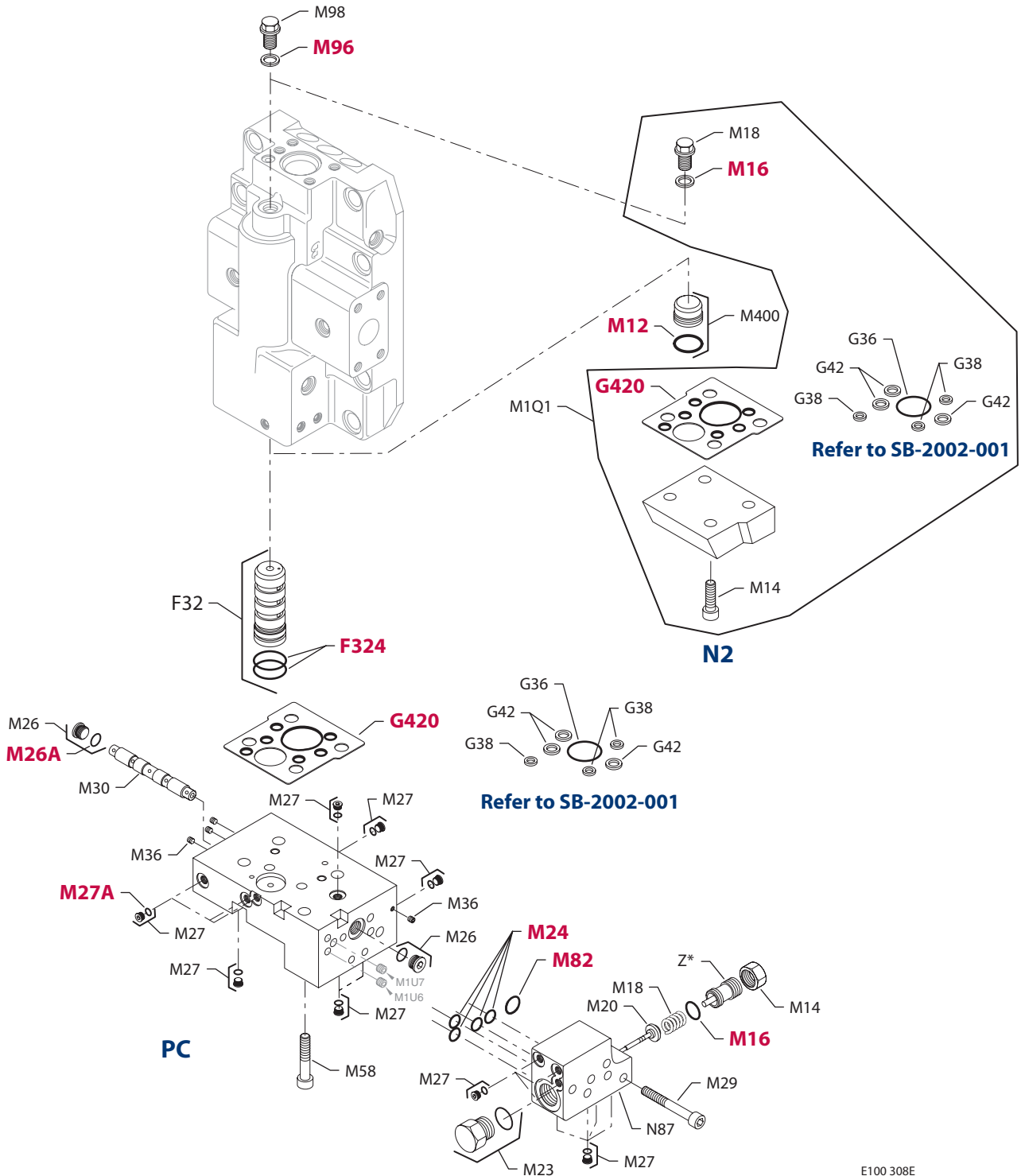
Enlarged **bold** type item numbers are recommended part to stock for servicing.

SOLENOID PROPORTIONAL COMMON PARTS

Order code	Item	Date begin	Date end	Part number	Part name	Qty. per model/kit
	F32	95-35		509845	4-way valve assembly	1
	F324	95-35		730036	O-ring	2
	G36	95-35	03-07	364968	O-ring (SB-2002-001)	1
	G38	95-35	03-07	792739	O-ring (SB-2002-001)	3
	G42	95-35	03-07	754580	O-ring (SB-2002-001)	3
	G420	03-08		511810	Gasket/O-ring seal (SB-2002-001)	1
	M10	95-35		759415	Spool	1
	M12	95-35		759423	Orifice	1
	M16	95-35		515965 (9005110-5600)	Plug	1
	M16A	95-35		085043 (9004201-3700)	O-ring	1
	M18	95-35		504519	Plug	2
	M18A	95-35		039297 (9004201-1200)	O-ring	2
	M22	95-35		727586 (9007314-1008)	Screw	4

SOLENOID PROPORTIONAL

L1	M1	95-35		509712	Solenoid, 12 volt, DIN connector	1
	M1Q1	95-35		509827	Control kit, 12 volt, DIN connector	1
L2	M1	95-35		509713	Solenoid, 24 volt, DIN connector	1
	M1Q1	95-35		509839	Control kit, 24 volt, DIN connector	1
L3	M1	01-19		517567	Solenoid, 12 volt, Deutsch connector	1
	M1Q1	01-19		517566	Control kit, 12 volt, Deutsch connector	1
L7	M1	96-24		509706	Solenoid, 12 volt, Jet connector	1
	M1Q1	96-24		509841	Control kit, 12 volt, Jet connector	1



E100 308E

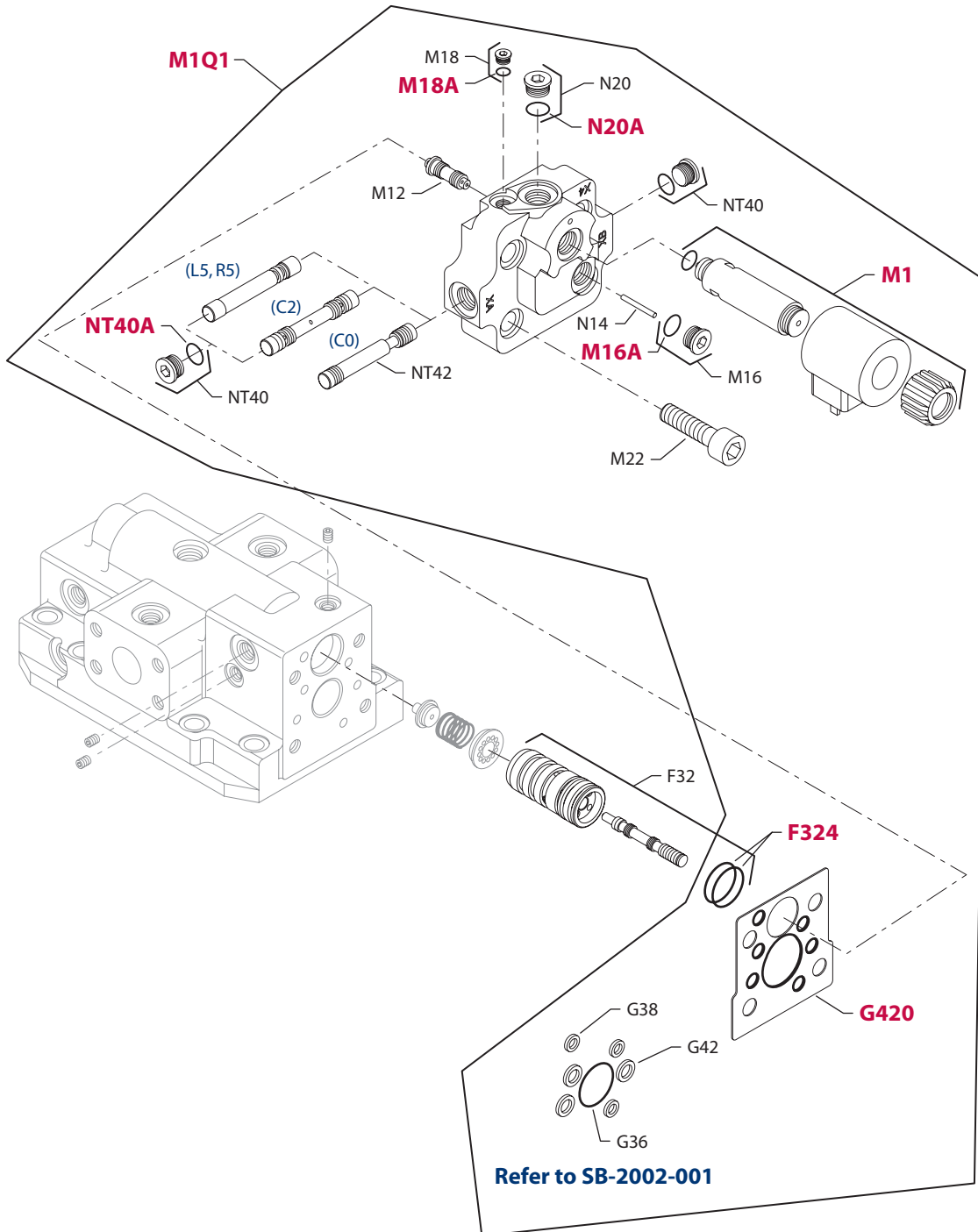
Enlarged **bold** type item numbers are recommended part to stock for servicing.

HYDRAULIC 2-POSITION

N2	G36	92-33	03-07	364968	O-ring (SB-2002-001)	1
	G38	92-33	03-07	792739	O-ring (SB-2002-001)	3
	G42	92-33	03-07	754580	O-ring (SB-2002-001)	3
	G420	03-08		511810	Gasket/O-ring seal (SB-2002-001)	1
	M1Q1	92-33		503807	Control kit	1
	M12	92-33		730036	O-ring	1
	M400	92-33		510415	Sleeve assembly	1
	M14	92-33		727586	Screw	4
	M16	92-33		084673	Sealing ring	2
	M18	92-33		745331	Plug	1

PRESSURE COMPENSATOR

PC	F32	92-33		510416	4-way valve assembly	1
	F324	92-33		730036	O-ring	2
	G36	92-33	03-07	364968	O-ring (SB-2002-001)	1
	G38	92-33	03-07	792739	O-ring (SB-2002-001)	3
	G42	92-33	03-07	754580	O-ring (SB-2002-001)	3
	G420	03-08		511810	Gasket/O-ring seal (SB-2002-001)	1
	M14	92-33		342709 (9003575-0101)	Nut	1
	M16	92-33		001149 (9004201-6200)	O-ring	1
	M18	92-33		509152	Spring	1
	M20	92-33		746016	Relief valve	1
	M23	92-33		315325 (9005110-8700)	Plug	1
	M23A	92-33		001149 (9004201-6200)	O-ring	1
	M24	92-33		732479 (9004105-0100)	O-ring	4
	M26	92-33		515965 (9005110-5600)	Plug	2
	M26A	92-33		085043 (9004201-3700)	O-ring	2
	M27	92-33		504519	Plug	16
	M27A	92-33		039297 (9004201-1200)	O-ring	16
	M29	92-33		713719 (9007314-0610)	Screw	4
	M30	92-33		718833	Shuttle valve assembly	1
	M36	92-33		092114 (9007712-0604)	Set screw	4
	M58	92-33		732982 (9007314-1009)	Screw	4
	M82	92-33		732479 (9004105-0100)	O-ring	1
	M96	92-33		084673	Sealing ring	1
	M98	92-33		745331	Plug	1
	N87	92-33		503887	PCOR housing assembly	1
	Z*	92-33		745661	Adjuster, 100-260 bar	1
	"	92-33		745649	Adjuster, 270-370 bar	1



E100 333E

Enlarged **bold** type item numbers are recommended part to stock for servicing.

ELECTRIC-HYDRAULIC 2-POSITION WITH PRESSURE COMPENSATOR

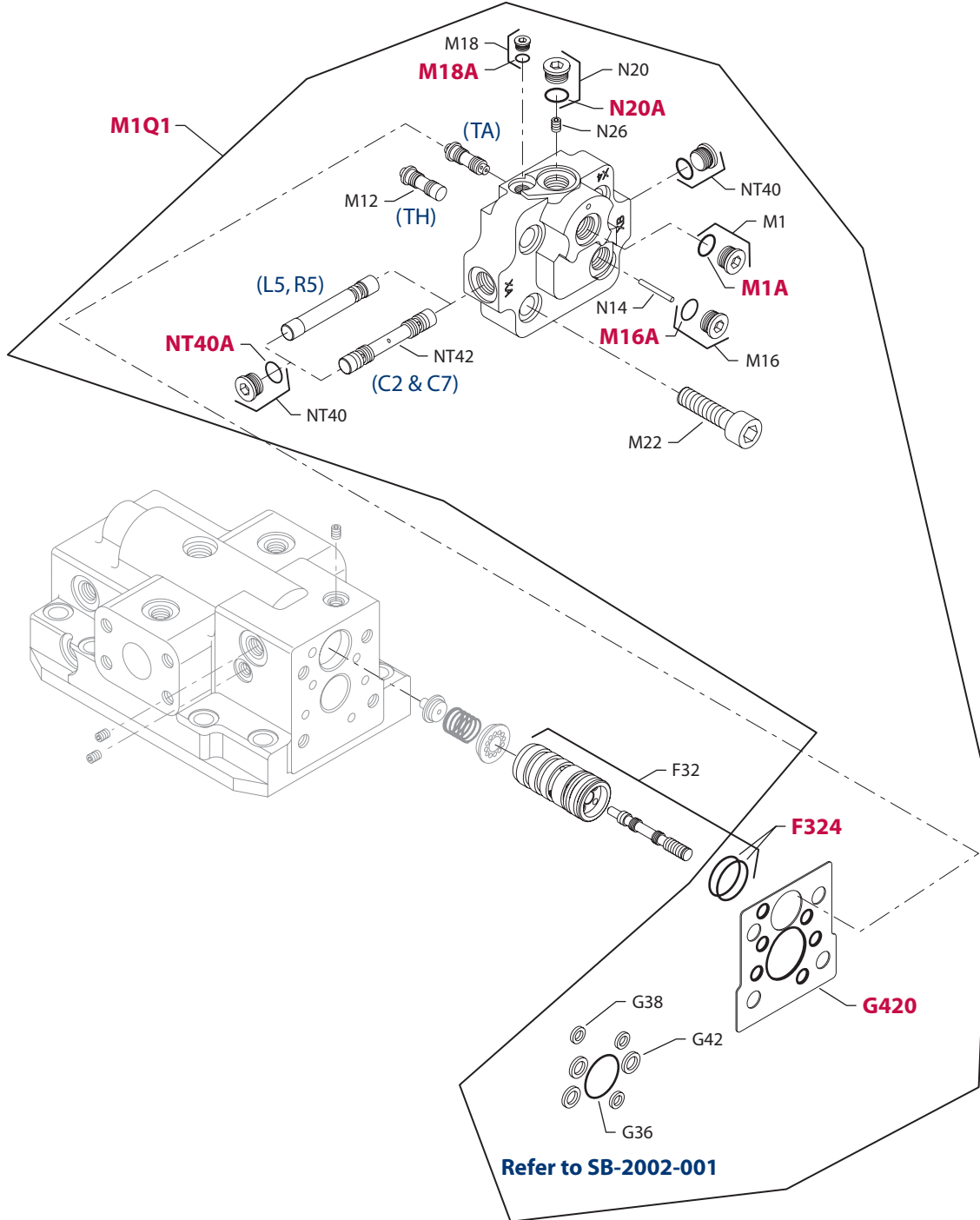
Order code	Item	Date begin	Date end	Part number	Part name	Qty. per model/kit
	F32	96-31		503380	4-way valve assembly	1
	F324	96-31		730036	O-ring	2
	G36	96-31	03-07	364968	O-ring (SB-2002-001)	1
	G38	96-31	03-07	792739	O-ring (SB-2002-001)	3
	G42	96-31	03-07	754580	O-ring (SB-2002-001)	3
	G420	03-08		511810	Gasket/O-ring seal (SB-2002-001)	1
T1	M1	96-31		509534	Solenoid, 12 volt, DIN connector	1
T2	M1	96-31		509537	Solenoid, 24 volt, DIN connector	1
	M12	96-31		503192	Piston	1
	M16	96-31		515965 (9005110-5600)	Plug	1
	M16A	96-31		085043 (9004201-3700)	O-ring	1
	M18	96-31		504519	Plug	1
	M18A	96-31		039297 (9004201-1200)	O-ring	1
	M22	96-31		732982	Screw	4

T1 AND T2 CONTROL KITS USED WITH VARIOUS SERVO PRESSURE SUPPLY OPTIONS

T1/C0	M1Q1	96-31		508326	Control kit, T1/C0, 12 volt, DIN connector	1
	N14	96-31		503503	Pin	1
	N20	96-31		515965 (9005110-5600)	Plug	1
	N20A	96-31		085043 (9004201-3700)	O-ring	1
	NT42	96-31		508175	Spool	1

T1/C2	M1Q1	96-31		506886	Control kit, T1/C2, 12 volt, DIN connector	1
T2/C2	M1Q1	96-31		506888	Control kit, T2/C2, 24 volt, DIN connector	1
	N20	96-31		515965 (9005110-5600)	Plug	1
	N20A	96-31		085043 (9004201-3700)	O-ring	1
	NT40	96-31		515965 (9005110-5600)	Plug	2
	NT40A	96-31		085043 (9004201-3700)	O-ring	2
	NT42	96-31		508156	Spool	1

T1/L5, R5	M1Q1	96-31		506908	Control kit, T1/L5 or T1/R5, 12 volt, DIN connector	1
T2/L5, R5	M1Q1	96-31		506906	Control kit, T2/L5 or T1/R5, 24 volt, DIN connector	1
	N14	96-31		503503	Pin	1
	N20	96-31		515965 (9005110-5600)	Plug	1
	N20A	96-31		085043 (9004201-3700)	O-ring	1
	NT40	96-31		515965 (9005110-5600)	Plug	2
	NT40A	96-31		085043 (9004201-3700)	O-ring	2
	NT42	96-31		507782	Spool	1



E100 334E

Enlarged **bold** type item numbers are recommended part to stock for servicing.

PRESSURE COMPENSATOR AND HYDRAULIC 2-POSITION WITH PRESSURE COMPENSATOR

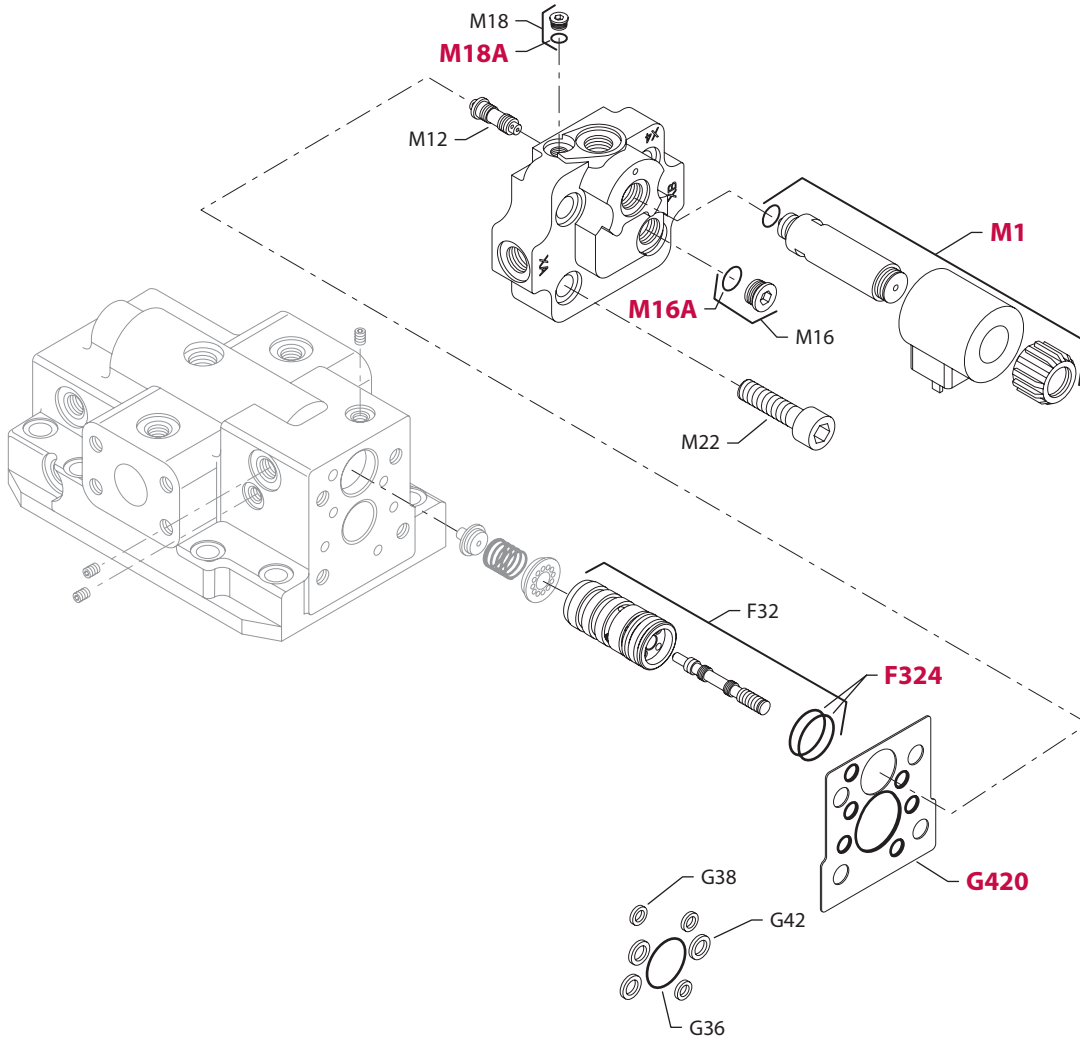
Order code	Item	Date begin	Date end	Part number	Part name	Qty. per model/kit
	F32	96-31		503380	4-way valve assembly	1
	F324	96-31		730036	O-ring	2
	G36	96-31	03-07	364968	O-ring (SB-2002-001)	1
	G38	96-31	03-07	792739	O-ring (SB-2002-001)	3
	G42	96-31	03-07	754580	O-ring (SB-2002-001)	3
	G420	03-08		511810	Gasket/O-ring seal (SB-2002-001)	1
TA	M1	96-31		515965 (9005110-5600)	Plug	1
TA	M1A	96-31		085043 (9004201-3700)	O-ring	1
TA	M12	96-31		503192	Piston	1
TH	M12	96-31		503194	Piston	1
	M16	96-31		515965 (9005110-5600)	Plug	1
	M16A	96-31		085043 (9004201-3700)	O-ring	1
	M18	96-31		504519	Plug	1
	M18A	96-31		039297 (9004201-1200)	O-ring	1
	M22	96-31		732982	Screw	4

TA AND TH CONTROL KITS USED WITH VARIOUS SERVO PRESSURE SUPPLY OPTIONS

TA/C2	M1Q1	96-31		506884	Control kit,TA/C2	1
TH/C2	M1Q1	96-31		503801	Control kit,TH/C2	1
	N20	96-31		515965 (9005110-5600)	Plug	1
	N20A	96-31		085043 (9004201-3700)	O-ring	1
	NT40	96-31		515965 (9005110-5600)	Plug	2
	NT40A	96-31		085043 (9004201-3700)	O-ring	2
	NT42	96-31		508156	Spool	1

TA/L5, R5	M1Q1	96-31		506909	Control kit,TA/L5 or TA/R5	1
TH/L5, R5	M1Q1	96-31		506910	Control kit,TH/L5 or TH/R5	1
	N14	96-31		503503	Pin	1
	N20	96-31		515965 (9005110-5600)	Plug	1
	N20A	96-31		085043 (9004201-3700)	O-ring	1
	NT40	96-31		515965 (9005110-5600)	Plug	2
	NT40A	96-31		085043 (9004201-3700)	O-ring	2
	NT42	96-31		507782	Spool	1

TH/C7	M1Q1	96-31		508272	Control kit,TH/C7	1
	N26	96-31		913897 (9007712-0605)	Set screw	1
	NT40	96-31		515965 (9005110-5600)	Plug	2
	NT40A	96-31		085043 (9004201-3700)	O-ring	2
	NT42	96-31		508156	Spool	1



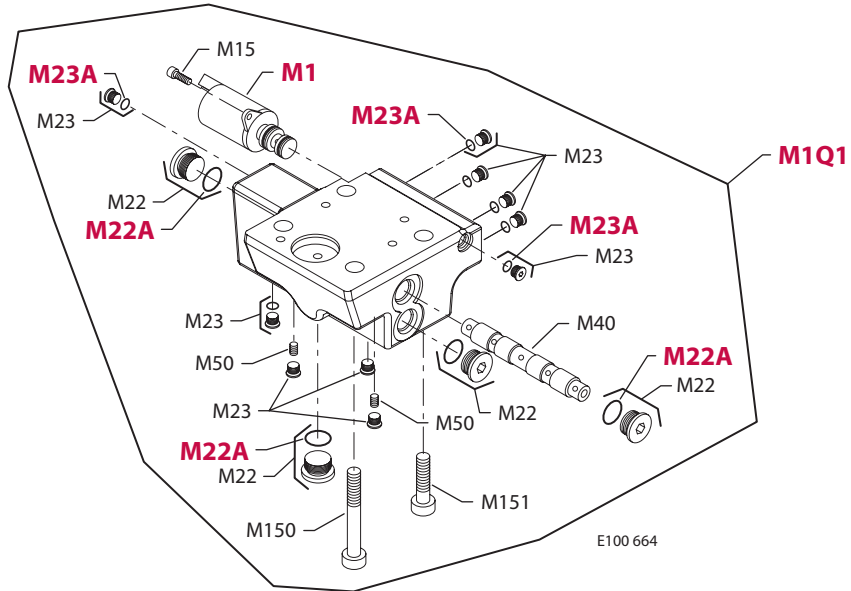
Refer to SB-2002-001

E100 271E

Enlarged **bold** type item numbers are recommended part to stock for servicing.

ELECTRIC-HYDRAULIC 2-POSITION WITHOUT PRESSURE COMPENSATOR

Order code	Item	Date begin	Date end	Part number	Part name	Qty. per model/kit
U1	F32	96-31		503925	4-way valve assembly	1
	F324	96-31		730036	O-ring	2
	G36	96-31	03-07	364968	O-ring (SB-2002-001)	1
	G38	96-31	03-07	792739	O-ring (SB-2002-001)	3
	G42	96-31	03-07	754580	O-ring (SB-2002-001)	3
	G420	03-08		511810	Gasket/O-ring seal (SB-2002-001)	1
	M1	96-31		509534	Solenoid valve, 12 volt, DIN connector	1
	M12	96-31		507292	Piston	1
	M16	96-31		515965 (9005110-5600)	Plug	1
	M16A	96-31		085043 (9004201-3700)	O-ring	1
	M18	96-31		504519	Plug	1
	M18A	96-31		039297 (9004201-1200)	O-ring	1
	M22	96-31		732982 (9007314-1009)	Screw	4
	U2	F32	96-31		503925	4-way valve assembly
F324		96-31		730036	O-ring	2
G36		96-31	03-07	364968	O-ring (SB-2002-001)	1
G38		96-31	03-07	792739	O-ring (SB-2002-001)	3
G42		96-31	03-07	754580	O-ring (SB-2002-001)	3
G420		03-08		511810	Gasket/O-ring seal (SB-2002-001)	1
M1		96-31		509537	Solenoid valve, 24 volt, DIN connector	1
M12		96-31		507292	Piston	1
M16		96-31		515965 (9005110-5600)	Plug	1
M16A		96-31		085043 (9004201-3700)	O-ring	1
M18		96-31		504519	Plug	1
M18A		96-31		039297 (9004201-1200)	O-ring	1
M22		96-31		732982 (9007314-1009)	Screw	4



Enlarged **bold** type item numbers are recommended part to stock for servicing.

ELECTRIC-HYDRAULIC PROPORTIONAL

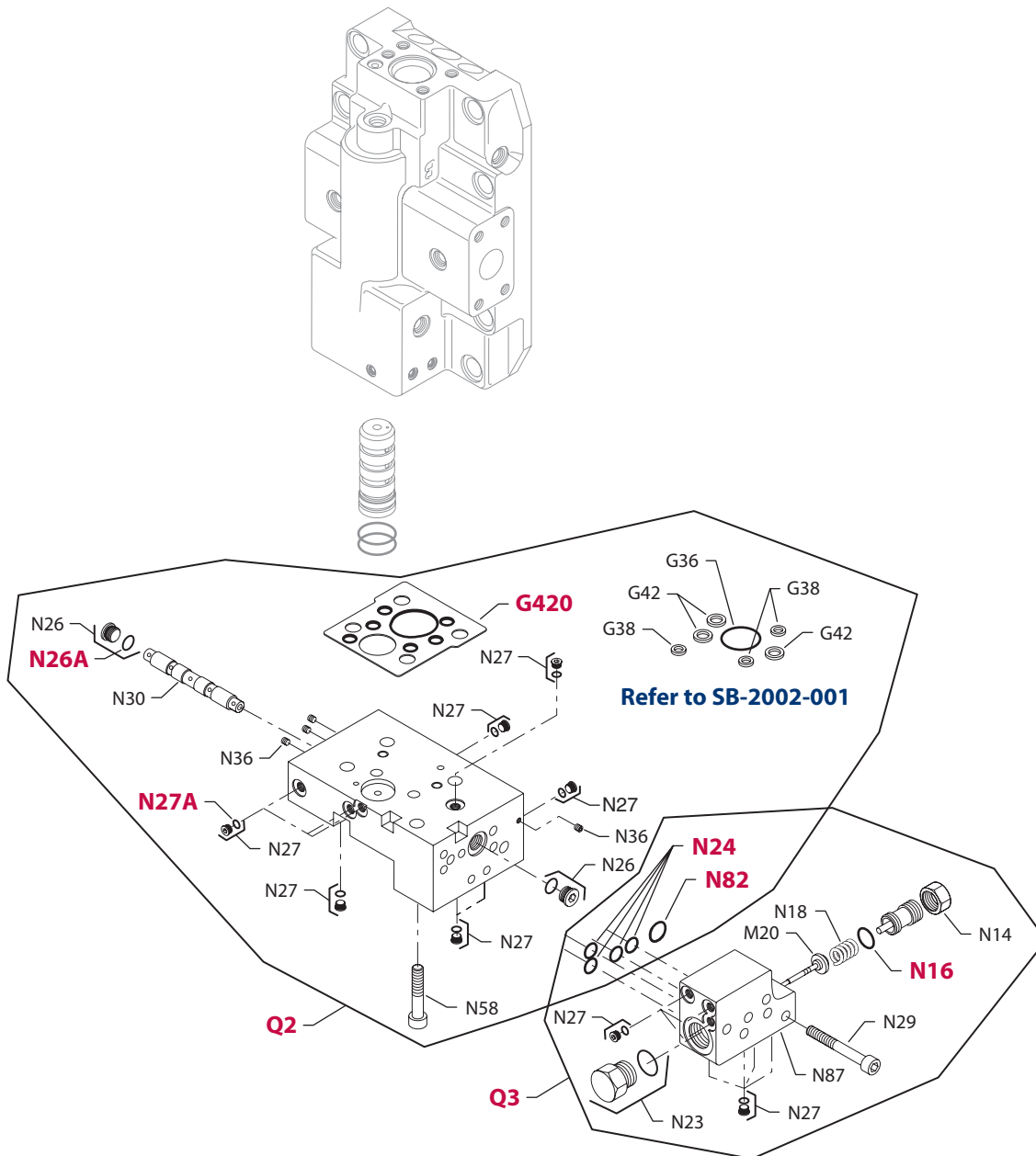
Order code	Item	Date begin	Date end	Part number	Part name	Qty. per model/kit
Y7	F32	01-01		727115	4-way valve assembly	1
	F324	01-01		730036	O-ring	2
	G36	01-01	03-07	364968	O-ring (SB-2002-001)	1
	G38	01-01	03-07	792739	O-ring (SB-2002-001)	3
	G42	01-01	03-07	754580	O-ring (SB-2002-001)	3
	G420	03-08		511810	Gasket/O-ring seal (SB-2002-001)	1
	M1	01-01		518080	Solenoid valve, 12 volt, Jet connector	1
	M1Q1	0101		519577	Control kit	1
	M15	01-01		067694	Screw	2
	M22	01-01		515965 (9005110-5600)	Plug	4
	M22A	01-01		085043 (9004201-3700)	O-ring	4
	M23	01-01		504519	Plug	10
	M23A	01-01		039297 (9004201-1200)	O-ring	10
	M40	01-01		718833	Spool	1
	M50	0101		578542	Orifice, 0.8, M6 x 8	2
	M150	01-01		672295	Screw	2
	M151	01-01		502580	Screw	2

SERVO PRESSURE SUPPLY

Order code	Item	Date begin	Date end	Part number	Part name	Qty. per model/kit
A1 & A3	G36	92-33	03-07	364968	O-ring (SB-2002-001)	1
	G38	92-33	03-07	792739	O-ring (SB-2002-001)	3
	G42	92-33	03-07	754580	O-ring (SB-2002-001)	3
	G420	03-08		511810	Gasket/O-ring seal (SB-2002-001)	1
	N14	92-33		342709 (9003575-0101)	Nut	1
	N16	92-33		001149 (9004201-6200)	O-ring	1
	N18	92-33		509152	Spring	1
	N20	92-33		746016	Relief valve	1
	N23	92-33		315325 (9005110-8700)	Plug	1
	N23A	92-33		001149 (9004201-6200)	O-ring	1
	N24	92-33		732479 (9004105-0100)	O-ring	4
	N26	92-33		515965 (9005110-5600)	Plug	3
	N26A	92-33		085043 (9004201-3700)	O-ring	3
	N27	92-33		504519	Plug	18
	N27A	92-33		039297 (9004201-1200)	O-ring	18
	N29	92-33		713719 (9007314-0610)	Screw	4
	N30	92-33		718833	Shuttle valve assembly	1
	N32	92-33		346080	Spool	1
	N36	92-33		092114 (9007712-0604)	Set screw	4
	N58	92-33		732982	Screw	4
	N82	92-33		732479 (9004105-0100)	O-ring	1
	N84	92-33		735266	Stop assembly	2
	N84A	92-33		039297 (9004201-1200)	O-ring	2
	N87	92-33		503887	PCOR housing assembly	1
	Q3	92-33		503610	PCOR kit, 100-260 bar	1
	Q3	92-33		503612	PCOR kit, 270-370 bar	1

A1 AND A3 SERVO PRESSURE SUPPLY KITS USED WITH VARIOUS CONTROL OPTIONS

Control code	Item	Date begin	Date end	Part number	Part name	Qty. per model/kit
E1	Q2	92-33		503594	Multi-function block kit	1
E2	Q2	92-33		503594	Multi-function block kit	1
E5	Q2	92-33		503594	Multi-function block kit	1
EP	Q2	92-33		506924	Multi-function block kit	1
EQ	Q2	92-33		506924	Multi-function block kit	1
ER	Q2	92-33		503594	Multi-function block kit	1
F1	Q2	92-33		503594	Multi-function block kit	1
F2	Q2	92-33		503594	Multi-function block kit	1
H1	Q2	92-33		506924	Multi-function block kit	1
H2	Q2	92-33		506924	Multi-function block kit	1
HP	Q2	92-33		503570	Multi-function block kit	1
HS	Q2	92-33		503570	Multi-function block kit	1
K1	Q2	92-33		506924	Multi-function block kit	1
K2	Q2	92-33		506924	Multi-function block kit	1



E100 310E

Enlarged **bold** type item numbers are recommended part to stock for servicing.

SERVO PRESSURE SUPPLY

Order code	Item	Date begin	Date end	Part number	Part name	Qty. per model/kit
A2 & A4	G36	92-33	03-07	364968	O-ring (SB-2002-001)	1
	G38	92-33	03-07	792739	O-ring (SB-2002-001)	3
	G42	92-33	03-07	754580	O-ring (SB-2002-001)	3
	G420	03-08		511810	Gasket/O-ring seal (SB-2002-001)	1
	N14	92-33		342709 (9003575-0101)	Nut	1
	N16	92-33		001149 (9004201-6200)	O-ring	1
	N18	92-33		509152	Spring	1
	N20	92-33		746016	Relief valve	1
	N23	92-33		315325 (9005110-8700)	Plug	1
	N23A	92-33		001149 (9004201-6200)	O-ring	1
	N24	92-33		732479 (9004105-0100)	O-ring	4
	N26	92-33		515965 (9005110-5600)	Plug	2
	N26A	92-33		085043 (9004201-3700)	O-ring	2
	N27	92-33		504519	Plug	16
	N27A	92-33		039297 (9004201-1200)	O-ring	16
	N29	92-33		713719 (9007314-0610)	Screw	4
	N30	92-33		718833	Shuttle valve assembly	1
	N36	92-33		092114 (9007712-0604)	Set screw	4
	N58	92-33		732982	Screw	4
	N82	92-33		732479 (9004105-0100)	O-ring	1
	N87	92-33		503887	PCOR housing assembly	1
	Q3	92-33		503610	PCOR kit, 100-260 bar	1
	Q3	92-33		503612	PCOR kit, 270-370 bar	1

A2 AND A4 SERVO PRESSURE SUPPLY KITS USED WITH VARIOUS CONTROL OPTIONS

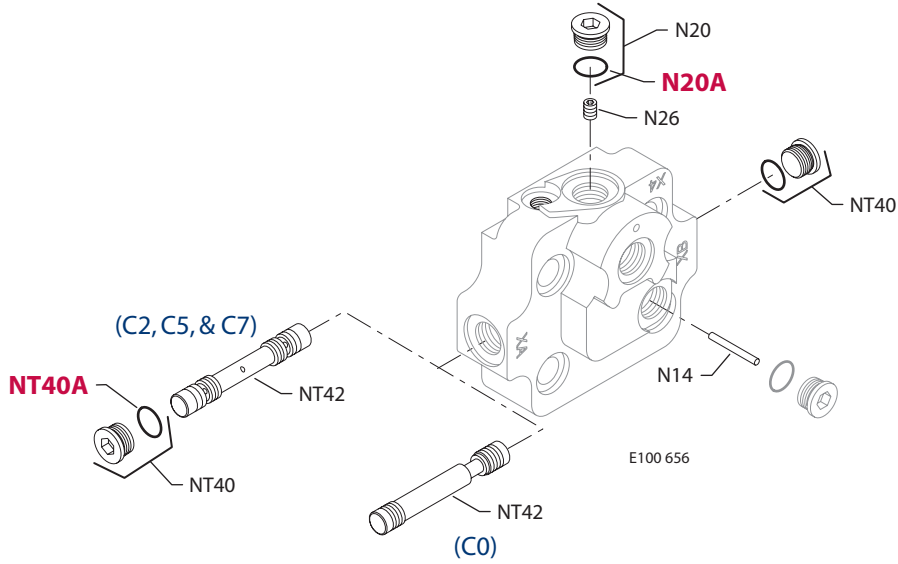
Control code	Item	Date begin	Date end	Part number	Part name	Qty. per model/kit
E1	Q2	92-33		503577	Multi-function block kit	1
E2	Q2	92-33		503577	Multi-function block kit	1
E5	Q2	92-33		503577	Multi-function block kit	1
EP	Q2	92-33		506921	Multi-function block kit	1
EQ	Q2	92-33		506921	Multi-function block kit	1
ER	Q2	92-33		503577	Multi-function block kit	1
F1	Q2	92-33		503577	Multi-function block kit	1
F2	Q2	92-33		503577	Multi-function block kit	1
H1	Q2	92-33		506921	Multi-function block kit	1
H2	Q2	92-33		506921	Multi-function block kit	1
HP	Q2	92-33		503568	Multi-function block kit	1
HS	Q2	92-33		503568	Multi-function block kit	1
K1	Q2	92-33		506921	Multi-function block kit	1
K2	Q2	92-33		506921	Multi-function block kit	1

SERVO PRESSURE SUPPLY

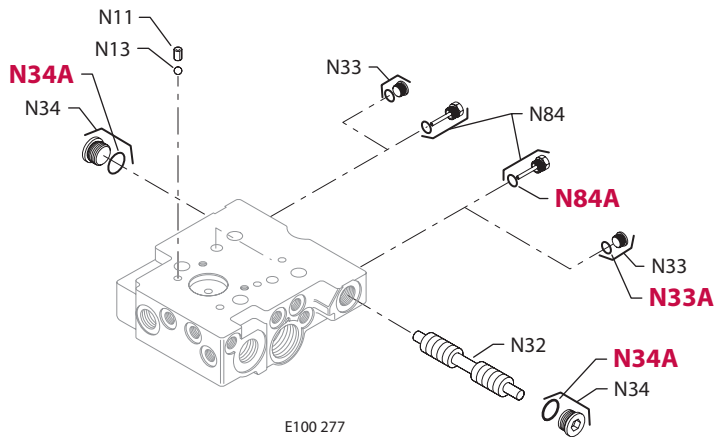
Order code	Item	Date begin	Date end	Part number	Part name	Qty. per model/kit
A5 & A6	G36	92-33	03-07	364968	O-ring (SB-2002-001)	1
	G38	92-33	03-07	792739	O-ring (SB-2002-001)	3
	G42	92-33	03-07	754580	O-ring (SB-2002-001)	3
	G420	03-08		511810	Gasket/O-ring seal (SB-2002-001)	1
	N26	92-33		515965 (9005110-5600)	Plug	2
	N26A	92-33		085043 (9004201-3700)	O-ring	2
	N27	92-33		504519	Plug	4
	N27A	92-33		039297 (9004201-1200)	O-ring	4
	N30	92-33		718833	Shuttle valve assembly	1
	N36	92-33		092114 (9007712-0604)	Set screw	3
	N58	92-33		732982	Screw	4

A5 AND A6 SERVO PRESSURE SUPPLY KITS USED WITH VARIOUS CONTROL OPTIONS

Control code	Item	Date begin	Date end	Part number	Part name	Qty. per model/kit
E1	Q2	92-33		503590	Multi-function block kit	1
E2	Q2	92-33		503590	Multi-function block kit	1
E5	Q2	92-33		503590	Multi-function block kit	1
EP	Q2	92-33		503586	Multi-function block kit	1
EQ	Q2	92-33		503586	Multi-function block kit	1
ER	Q2	92-33		503590	Multi-function block kit	1
F1	Q2	92-33		503590	Multi-function block kit	1
F2	Q2	92-33		503590	Multi-function block kit	1
H1	Q2	92-33		503586	Multi-function block kit	1
H2	Q2	92-33		503586	Multi-function block kit	1
HP	Q2	92-33		503582	Multi-function block kit	1
HS	Q2	92-33		503582	Multi-function block kit	1
K1	Q2	92-33		503586	Multi-function block kit	1
K2	Q2	92-33		503586	Multi-function block kit	1



C0, C2, C5, and C7



K1, K2, K3, and K5

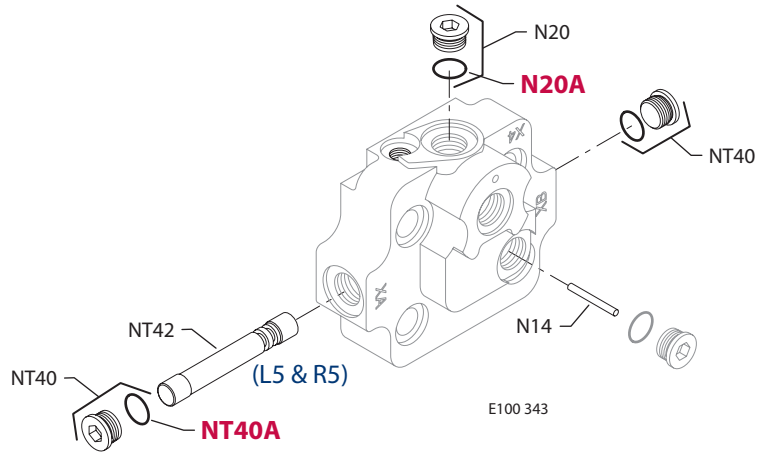
Enlarged **bold** type item numbers are recommended part to stock for servicing.

SERVO PRESSURE SUPPLY

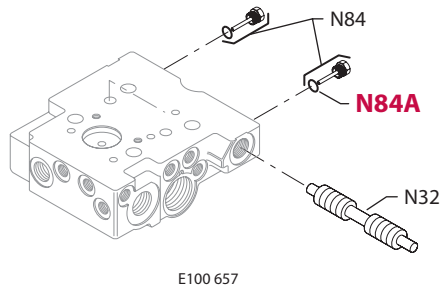
Order code	Item	Date begin	Date end	Part number	Part name	Qty. per model/kit
B1 & B2				No parts		
C0	N14	96-10		503503	Pin	1
	N20	96-10		515965 (9005110-5600)	Plug	1
	N20A	96-10		085043 (9004201-3700)	O-ring	1
	NT42	96-10		508175	Spool	1
C2	N20	95-15		515965 (9005110-5600)	Plug	1
	N20A	95-15		085043 (9004201-3700)	O-ring	1
	NT40	95-15		515965 (9005110-5600)	Plug	2
	NT40A	95-15		085043 (9004201-3700)	O-ring	2
	NT42	95-15		508156	Spool	1
C5	N20	95-15		515965 (9005110-5600)	Plug	1
	N20A	95-15		085043 (9004201-3700)	O-ring	1
	N26	96-31		913897 (9007712-0605)	Set screw	1
	NT40	95-15		515965 (9005110-5600)	Plug	2
	NT40A	95-15		085043 (9004201-3700)	O-ring	2
	NT42	95-15		508156	Spool	1
C7	N26	02-45		913897	Set screw	1
	NT40	02-45		515965 (9005110-5600)	Plug	2
	NT40A	02-45		085043 (9004201-3700)	O-ring	2
	NT42	02-45		508156	Spool	1
K1	N11	95-24		505522	Slotted pin	1
	N13	95-24		915967	Ball	1
	N32	95-24		346080	Spool	1
	N84	95-24		735266	Stop assembly	2
	N84A	95-24		039297 (9004201-1200)	O-ring	2
K2	N11	95-24		505522	Slotted pin	1
	N13	95-24		915967	Ball	1
	N32	95-24		505462	Spool	1
	N33	95-24		504519	Plug	2
	N33A	95-24		039297 (9004201-1200)	O-ring	2
	N34	95-15		515965 (9005110-5600)	Plug	2
	N34A	95-15		085043 (9004201-3700)	O-ring	2
K3	N11	95-24		505522	Slotted pin	1
	N13	95-24		915967	Ball	1
	N33	95-24		504519	Plug	2
	N33A	95-24		039297 (9004201-1200)	O-ring	2
	N34	95-24		515965 (9005110-5600)	Plug	2
	N34A	95-24		085043 (9004201-3700)	O-ring	2
K5	N32	92-33		346080	Spool	1
	N84	92-33		735266	Stop assembly	2
	N84A	92-33		039297 (9004201-1200)	O-ring	2

SERVO PRESSURE SUPPLY

Order code	Item	Date begin	Date end	Part number	Part name	Qty. per model/kit
L2, L4, R2	G36	92-33	03-07	364968	O-ring (SB-2002-001)	1
& R4	G38	92-33	03-07	792739	O-ring (SB-2002-001)	3
	G42	92-33	03-07	754580	O-ring (SB-2002-001)	3
	G420	03-08		511810	Gasket/O-ring seal (SB-2002-001)	1
	N14	92-33		342709 (9003575-0101)	Nut	1
	N16	92-33		001149 (9004201-6200)	O-ring	1
	N18	92-33		509152	Spring	1
	N20	92-33		746016	Relief valve	1
	N23	92-33		315325 (9005110-8700)	Plug	1
	N23A	92-33		001149 (9004201-6200)	O-ring	1
	N24	92-33		732479 (9004105-0100)	O-ring	4
	N26	92-33		515965 (9005110-5600)	Plug	3
	N26A	92-33		085043 (9004201-3700)	O-ring	3
	N27	92-33		504519	Plug	18
	N27A	92-33		039297 (9004201-1200)	O-ring	18
	N28	92-33		515965 (9005110-5600)	Plug	2
	N28A	92-33		085043 (9004201-3700)	O-ring	2
	N29	92-33		713719 (9007314-0610)	Screw	4
	N30	92-33		718833	Shuttle valve assembly	1
	N36	92-33		092114 (9007712-0604)	Set screw	4
	N58	92-33		732982	Screw	4
	N82	92-33		732479 (9004105-0100)	O-ring	1
	N84	92-33		504519	Plug	2
	N84A	92-33		039297 (9004201-1200)	O-ring	2
	N87	92-33		503887	PCOR housing assembly	1
	Q3	92-33		503610	PCOR kit, 100-260 bar	1
	Q3	92-33		503612	PCOR kit, 270-370 bar	1



L5, and R5

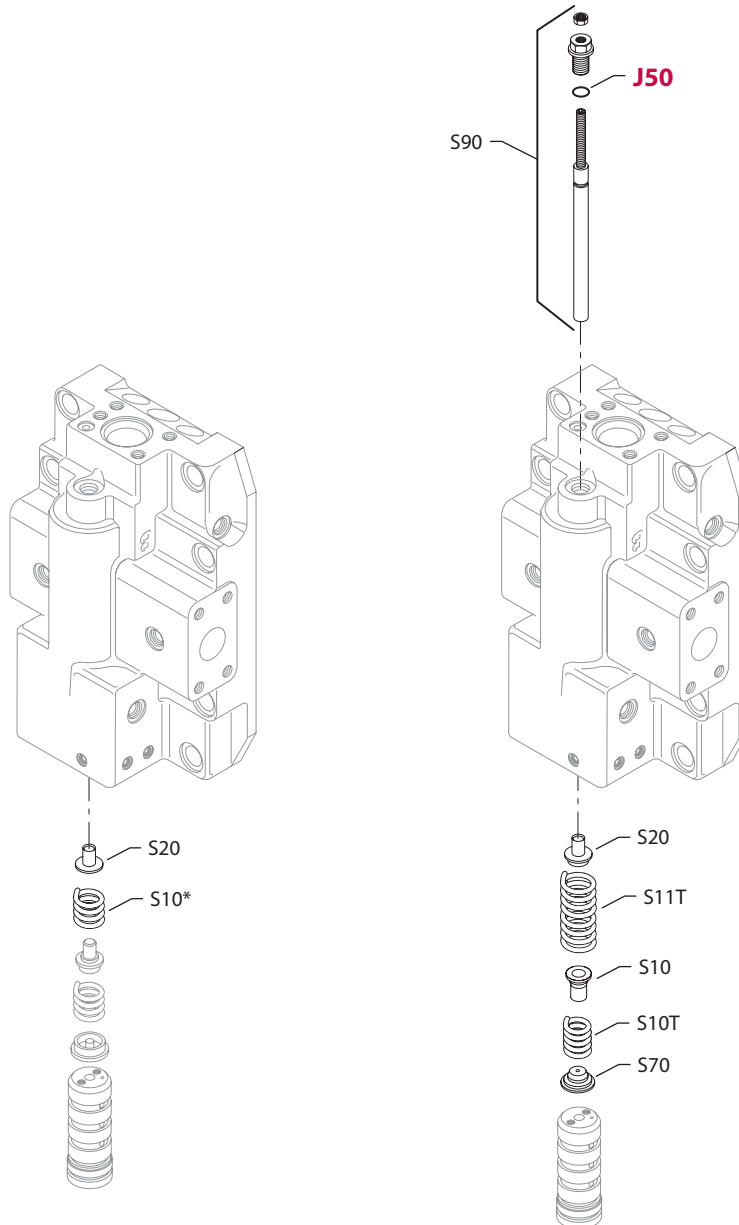


M1

Enlarged **bold** type item numbers are recommended part to stock for servicing.

SERVO PRESSURE SUPPLY

Order code	Item	Date begin	Date end	Part number	Part name	Qty. per model/kit
L5 & R5	N14	96-31		503503	Pin	1
	N20	96-31		515965 (9005110-5600)	Plug	1
	N20A	96-31		085043 (9004201-3700)	O-ring	1
	NT40	96-31		515965 (9005110-5600)	Plug	2
	NT40A	96-31		085043 (9004201-3700)	O-ring	2
	NT42	96-31		507782	Spool	1
M1	N32	92-33		346080	Spool	1
	N84	92-33		735266	Stop assembly	2
	N84A	92-33		039297 (9004201-1200)	O-ring	2
NN				No parts		

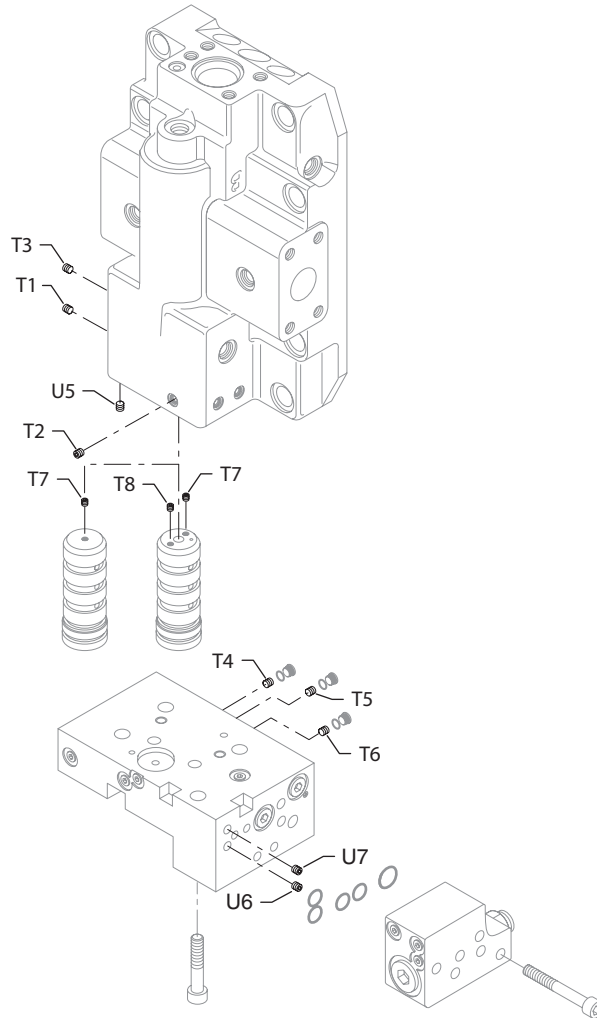


E100 314

Enlarged **bold** type item numbers are recommended part to stock for servicing.

CONTROL RAMP

Order code	Item	Date begin	Date end	Part number	Part name	Qty. per model/kit
A & B	S10E	95-15		721415	Spring	1
	S20	95-15		724518	Spring guide	1
D	S10D	92-33		721431	Spring	1
	S20	92-33		722256	Spring guide	1
E	S10E	92-33		721415	Spring	1
	S20	92-33		724518	Spring guide	1
G	S10G	92-33		721423	Spring	1
	S20	92-33		722256	Spring guide	1
H	S10Y	92-33		721456	Spring	1
	S20	92-33		722256	Spring guide	1
J	S10Y	99-35		721456	Spring	1
	S20	99-35		722256	Spring guide	1
K	S10Y	99-35		721456	Spring	1
	S20	99-35		722256	Spring guide	1
L	S10L	92-33		721365	Spring	1
	S20	92-33		724500	Spring guide	1
N				No parts		
T	J50	93-40		732479 (9004105-0100)	O-ring	1
	S10	93-40		740126	Spring guide	1
	S10T	93-40		739896	Spring	1
	S11T	93-40		739888	Spring	1
	S20	93-40		735910	Spring guide	1
	S70	93-40		737551	Spring seat	1
	S90	93-40		507677	Threshold adjust screw assembly	1
U	S10U	92-33		721449	Spring	1
	S20	92-33		724518	Spring guide	1
Y	S10Y	92-33		721456	Spring	1
	S20	92-33		722256	Spring guide	1
Z	S10Z	92-33		721464	Spring	1
	S20	92-33		722256	Spring guide	1

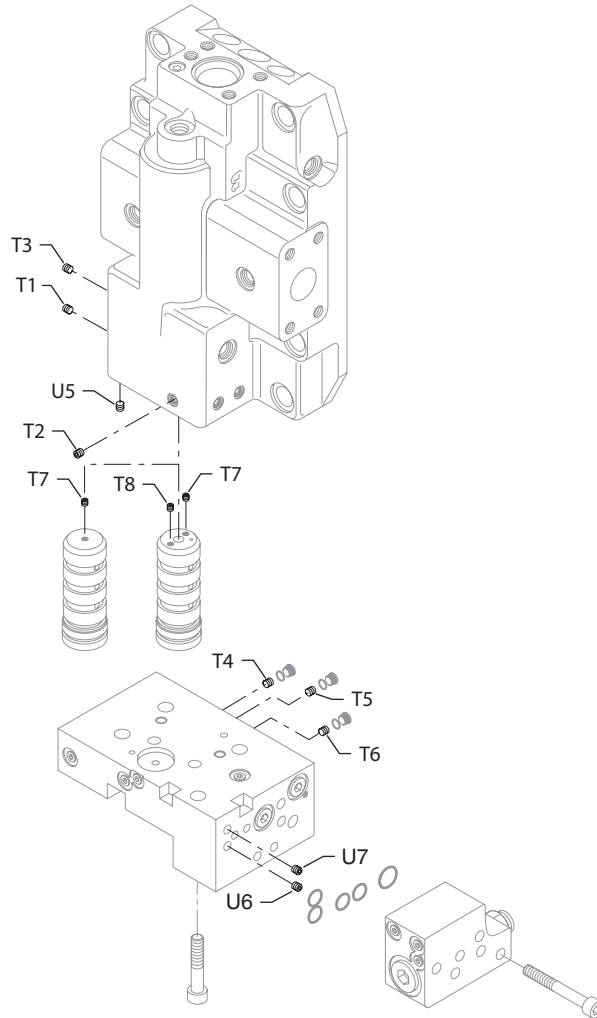


E100 315E

Enlarged **bold** type item numbers are recommended part to stock for servicing.

ORIFICE

Order code	Item	Date begin	Date end	Part number	Part name	Qty. per model/kit
A0	T1	92.38		913897 (9007712-0605)	Set screw	1
	T2	92.38		913897 (9007712-0605)	Set screw	1
	T3	92.38		913897 (9007712-0605)	Set screw	1
A1	T1	92-33		739128	Orifice. 0.5, M6 x 6	1
	T2	92-33		739144	Orifice. 0.8, M6 x 6	1
	T3	92-33		739144	Orifice. 0.8, M6 x 6	1
	T4	92-33		092114 (9007712-0604)	Set screw	1
	T5	92-33		578542	Orifice. 0.8, M6 x 8	1
	T6	92-33		092114 (9007712-0604)	Set screw	1
	T7	92-33		639096	Orifice. 0.6, M5 x 6	1
	T8	92-33		639096	Orifice. 0.6, M5 x 6	1
A2	T1	92-33		679316	Orifice. 0.5, M6 x 8	1
	T2	92-33		578542	Orifice. 0.8, M6 x 8	1
	T3	92-33		578542	Orifice. 0.8, M6 x 8	1
	T4	92-33		578542	Orifice. 0.8, M6 x 8	1
	T5	92-33		913897 (9007712-0605)	Set screw	1
	T6	92-33		578542	Orifice. 0.8, M6 x 8	1
	T7	92-33		639096	Orifice. 0.6, M5 x 6	1
	T8	92-33		639096	Orifice. 0.6, M5 x 6	1
A3	T1	92-33		739128	Orifice. 0.5, M6 x 6	1
	T2	92-33		739144	Orifice. 0.8, M6 x 6	1
	T3	92-33		739144	Orifice. 0.8, M6 x 6	1
	T4	92-33		578542	Orifice. 0.8, M6 x 8	1
	T5	92-33		092114 (9007712-0604)	Set screw	1
	T6	92-33		578542	Orifice. 0.8, M6 x 8	1
	T7	92-33		639096	Orifice. 0.6, M5 x 6	1
	T8	92-33		639096	Orifice. 0.6, M5 x 6	1
A4	T1	92-33		739128	Orifice. 0.5, M6 x 6	1
	T2	92-33		739144	Orifice. 0.8, M6 x 6	1
	T3	92-33		739144	Orifice. 0.8, M6 x 6	1
	T4	92-33		092114 (9007712-0604)	Set screw	1
	T5	92-33		092114 (9007712-0604)	Set screw	1
	T6	92-33		092114 (9007712-0604)	Set screw	1
	T7	92-33		639096	Orifice. 0.6, M5 x 6	1
	T8	92-33		639096	Orifice. 0.6, M5 x 6	1
A6	T1	92-33		679316	Orifice. 0.5, M6 x 8	1
	T2	92-33		578542	Orifice. 0.8, M6 x 8	1
	T3	92-33		578542	Orifice. 0.8, M6 x 8	1
	T7	92-33		639096	Orifice. 0.6, M5 x 6	1
	T8	92-33		639096	Orifice. 0.6, M5 x 6	1

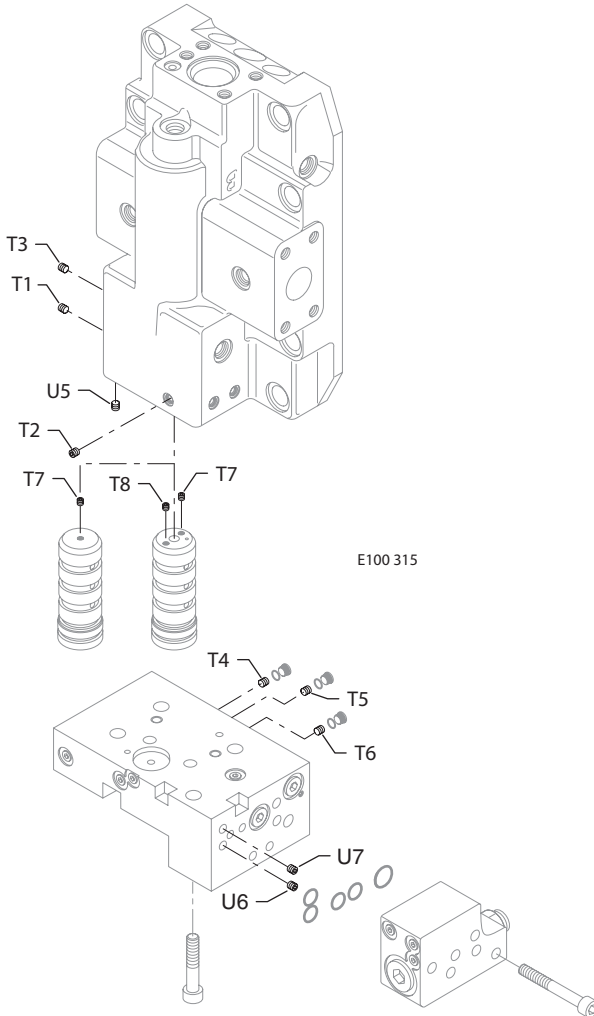


E100 315E

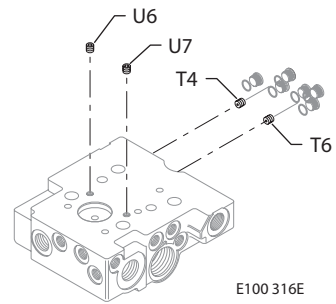
Enlarged **bold** type item numbers are recommended part to stock for servicing.

ORIFICE

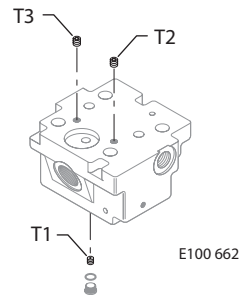
Order code	Item	Date begin	Date end	Part number	Part name	Qty. per model/kit
A7	T1	92-33		679316	Orifice. 0.5, M6 x 8	1
	T2	92-33		578542	Orifice. 0.8, M6 x 8	1
	T3	92-33		578542	Orifice. 0.8, M6 x 8	1
	T5	92-33		578542	Orifice. 0.8, M6 x 8	1
	T7	92-33		639096	Orifice. 0.6, M5 x 6	1
	T8	92-33		639096	Orifice. 0.6, M5 x 6	1
	A8	T1	92-33		679316	Orifice. 0.5, M6 x 8
T2		92-33		578542	Orifice. 0.8, M6 x 8	1
T3		92-33		578542	Orifice. 0.8, M6 x 8	1
T4		92-33		913897 (9007712-0605)	Set screw	1
T5		92-33		913897 (9007712-0605)	Set screw	1
T6		92-33		578542	Orifice. 0.8, M6 x 8	1
T7		92-33		639096	Orifice. 0.6, M5 x 6	1
T8		92-33		639096	Orifice. 0.6, M5 x 6	1
A9	T1	92-33		679316	Orifice. 0.5, M6 x 8	1
	T2	92-33		578542	Orifice. 0.8, M6 x 8	1
	T3	92-33		578542	Orifice. 0.8, M6 x 8	1
	T7	92-33		639096	Orifice. 0.6, M5 x 6	1
	T8	92-33		639096	Orifice. 0.6, M5 x 6	1
	U5	92-33		913897 (9007712-0605)	Set screw	1
B1	T1	92-33		044081	Orifice. 0.7, M6 x 8	1
	T2	92-33		578542	Orifice. 0.8, M6 x 8	1
	T3	92-33		578542	Orifice. 0.8, M6 x 8	1
	T7	92-33		639096	Orifice. 0.6, M5 x 6	1
	T8	92-33		639096	Orifice. 0.6, M5 x 6	1
	B4	T1	92-33		739128	Orifice. 0.5, M6 x 6
T2		92-33		739144	Orifice. 0.8, M6 x 6	1
T3		92-33		739144	Orifice. 0.8, M6 x 6	1
T7		92-33		639096	Orifice. 0.6, M5 x 6	1
T8		92-33		639096	Orifice. 0.6, M5 x 6	1
B6		T1	92-33		679316	Orifice. 0.5, M6 x 8
	T2	92-33		578542	Orifice. 0.8, M6 x 8	1
	T3	92-33		578542	Orifice. 0.8, M6 x 8	1
	T4	92-33		578542	Orifice. 0.8, M6 x 8	1
	T5	92-33		913897 (9007712-0605)	Set screw	1
	T6	92-33		913897 (9007712-0605)	Set screw	1
	T7	92-33		639096	Orifice. 0.6, M5 x 6	1
	T8	92-33		639096	Orifice. 0.6, M5 x 6	1



E100 315



E100 316E

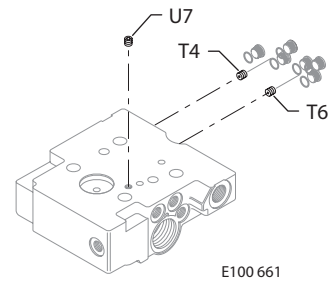
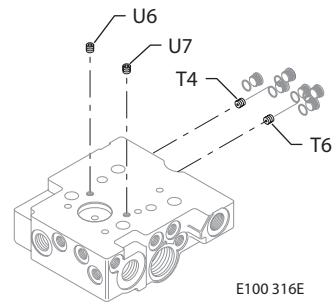
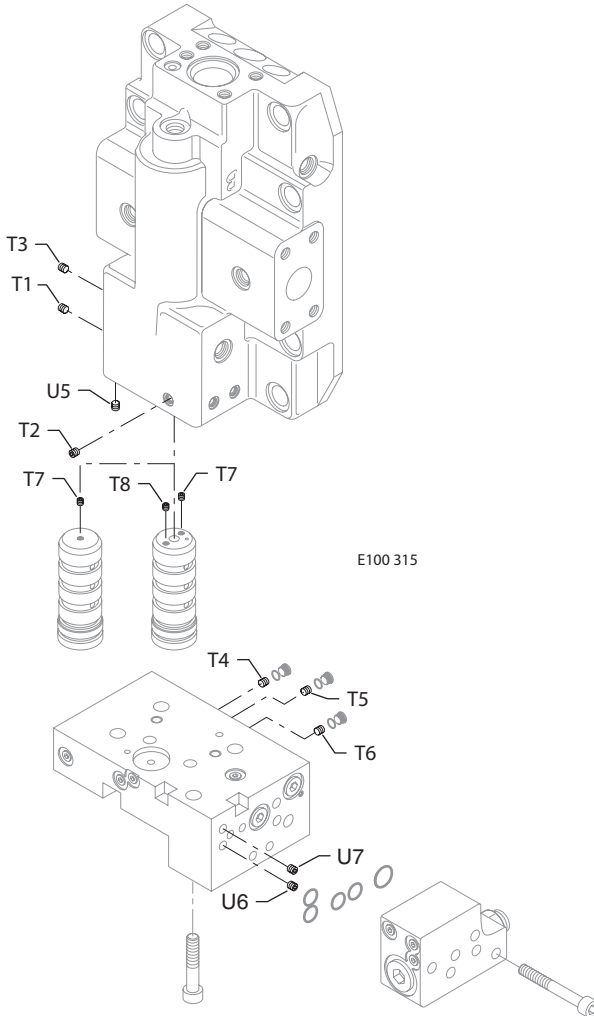


E100 662

Enlarged **bold** type item numbers are recommended part to stock for servicing.

ORIFICE

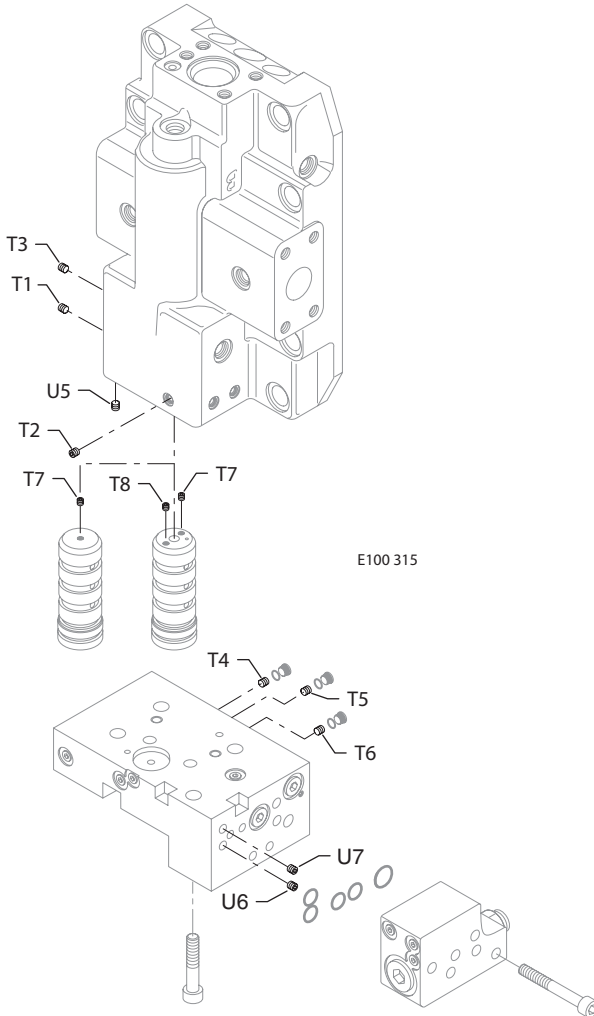
Order code	Item	Date begin	Date end	Part number	Part name	Qty. per model/kit
B9	T1	92-33		679316	Orifice.0.5, M6 x 8	1
	T2	92-33		679316	Orifice.0.5, M6 x 8	1
	T3	92-33		679316	Orifice.0.5, M6 x 8	1
	T4	92-33		578542	Orifice.0.8, M6 x 8	1
	T5	92-33		913897 (9007712-0605)	Set screw	1
	T6	92-33		578542	Orifice.0.8, M6 x 8	1
	T7	92-33		639096	Orifice.0.6, M5 x 6	1
	T8	92-33		639096	Orifice.0.6, M5 x 6	1
U5	U5	92-33		913897 (9007712-0605)	Set screw	1
	U6	92-33		511825	Orifice.0.6, M6 x 8	1
	U7	92-33		511825	Orifice.0.6, M6 x 8	1
C0			No parts			
C1	T1	92-33		679316	Orifice.0.5, M6 x 8	1
	T2	92-33		578542	Orifice.0.8, M6 x 8	1
	T3	92-33		578542	Orifice.0.8, M6 x 8	1
	T4	92-33		913897 (9007712-0605)	Set screw	1
	T5	92-33		578542	Orifice.0.8, M6 x 8	1
	T6	92-33		913897 (9007712-0605)	Set screw	1
	T7	92-33		639096	Orifice.0.6, M5 x 6	1
	T8	92-33		639096	Orifice.0.6, M5 x 6	1
C2	T1	92-33		679316	Orifice.0.5, M6 x 8	1
	T2	92-33		578542	Orifice.0.8, M6 x 8	1
	T3	92-33		578542	Orifice.0.8, M6 x 8	1
	T7	92-33		639096	Orifice.0.6, M5 x 6	1
	T8	92-33		639096	Orifice.0.6, M5 x 6	1
C5	T1	92-33		679316	Orifice.0.5, M6 x 8	1
	T2	92-33		578542	Orifice.0.8, M6 x 8	1
	T3	92-33		578542	Orifice.0.8, M6 x 8	1
	T5	92-33		578542	Orifice.0.8, M6 x 8	1
	T7	92-33		639096	Orifice.0.6, M5 x 6	1
	T8	92-33		639096	Orifice.0.6, M5 x 6	1
	U5	92-33		913897 (9007712-0605)	Set screw	1
	U6	92-33		511825	Orifice.0.6, M6 x 8	1
	U7	92-33		511825	Orifice.0.6, M6 x 8	1
C7	T1	92-33		679316	Orifice.0.5, M6 x 8	1
	T2	92-33		578542	Orifice.0.8, M6 x 8	1
	T3	92-33		578542	Orifice.0.8, M6 x 8	1
	T4	92-33		578542	Orifice.0.8, M6 x 8	1
	T5	92-33		913897 (9007712-0605)	Set screw	1
	T6	92-33		913897 (9007712-0605)	Set screw	1
	T7	92-33		639096	Orifice.0.6, M5 x 6	1
	T8	92-33		639096	Orifice.0.6, M5 x 6	1
	U5	92-33		913897 (9007712-0605)	Set screw	1



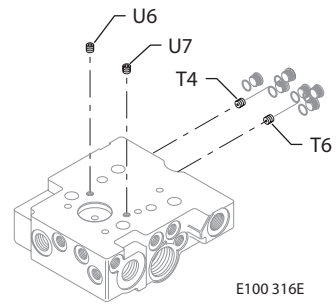
Enlarged **bold** type item numbers are recommended part to stock for servicing.

ORIFICE

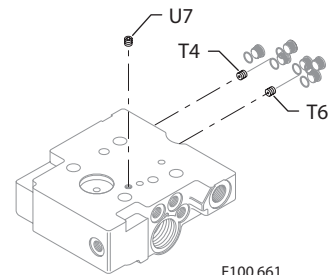
Order code	Item	Date begin	Date end	Part number	Part name	Qty. per model/kit
C8	T1	92-33		679316	Orifice, 0.5, M6 x 8	1
	T2	92-33		578542	Orifice, 0.8, M6 x 8	1
	T3	92-33		578542	Orifice, 0.8, M6 x 8	1
	T4	92-33		913897 (9007712-0605)	Set screw	1
	T5	92-33		913897 (9007712-0605)	Set screw	1
	T6	92-33		578542	Orifice, 0.8, M6 x 8	1
	T7	92-33		639096	Orifice, 0.6, M5 x 6	1
	T8	92-33		639096	Orifice, 0.6, M5 x 6	1
	U5	92-33		913897 (9007712-0605)	Set screw	1
D3	T1	92-33		578542	Orifice, 0.8, M6 x 8	1
	T2	92-33		511825	Orifice, 0.6, M6 x 8	1
	T3	92-33		511825	Orifice, 0.6, M6 x 8	1
	T4	92-33		913897 (9007712-0605)	Set screw	1
	T5	92-33		913897 (9007712-0605)	Set screw	1
	T6	92-33		578542	Orifice, 0.8, M6 x 8	1
	T7	92-33		639096	Orifice, 0.6, M5 x 6	1
	T8	92-33		639096	Orifice, 0.6, M5 x 6	1
	U5	92-33		913897 (9007712-0605)	Set screw	1
	U6	92-33		511825	Orifice, 0.6, M6 x 8	1
	U7	92-33		511825	Orifice, 0.6, M6 x 8	1
D5	T1	92-33		578542	Orifice, 0.8, M6 x 8	1
	T2	92-33		511825	Orifice, 0.6, M6 x 8	1
	T3	92-33		511825	Orifice, 0.6, M6 x 8	1
	T4	92-33		578542	Orifice, 0.8, M6 x 8	1
	T5	92-33		913897 (9007712-0605)	Set screw	1
	T6	92-33		913897 (9007712-0605)	Set screw	1
	T7	92-33		639096	Orifice, 0.6, M5 x 6	1
	T8	92-33		639096	Orifice, 0.6, M5 x 6	1
	U5	92-33		913897 (9007712-0605)	Set screw	1
	U6	92-33		511825	Orifice, 0.6, M6 x 8	1
	U7	92-33		511825	Orifice, 0.6, M6 x 8	1
D7	T1	92-33		578542	Orifice, 0.8, M6 x 8	1
	T2	92-33		578542	Orifice, 0.8, M6 x 8	1
	T3	92-33		578542	Orifice, 0.8, M6 x 8	1
	T7	92-33		511825	Orifice, 0.6, M6 x 8	1
	T8	92-33		511825	Orifice, 0.6, M6 x 8	1
	U7	92-33		044081	Orifice, 0.7, M6 x 8	1
	E1	T1	92-33		679316	Orifice, 0.5, M6 x 8
T2		92-33		578542	Orifice, 0.8, M6 x 8	1
T3		92-33		578542	Orifice, 0.8, M6 x 8	1
T5		92-33		578542	Orifice, 0.8, M6 x 8	1
T7		92-33		639096	Orifice, 0.6, M5 x 6	1
T8		92-33		639096	Orifice, 0.6, M5 x 6	1
U6		92-33		044081	Orifice, 0.7, M6 x 8	1
U7		92-33		044081	Orifice, 0.7, M6 x 8	1



E100 315



E100 316E

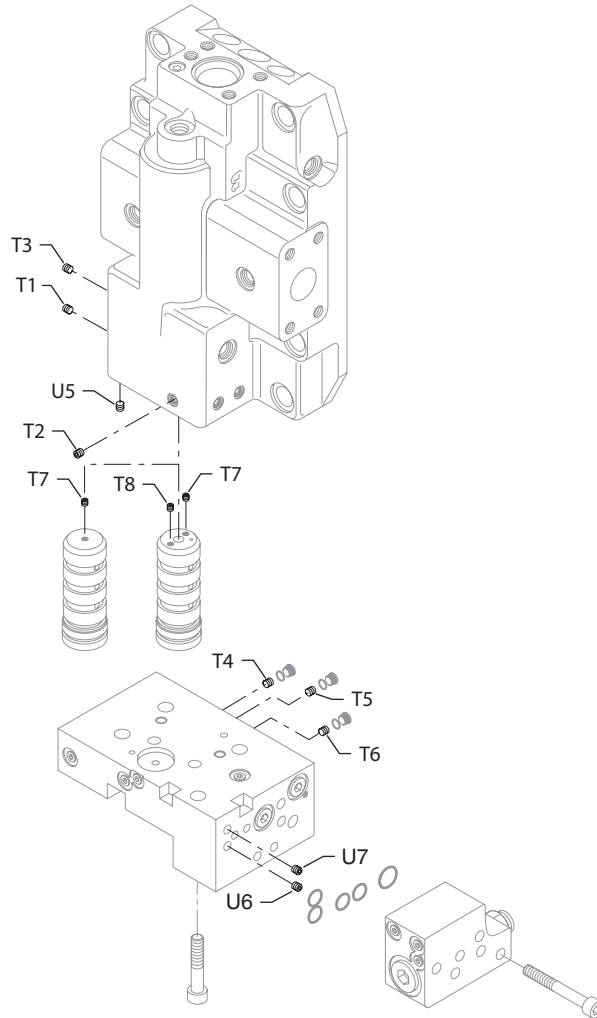


E100 661

Enlarged **bold** type item numbers are recommended part to stock for servicing.

ORIFICE

Order code	Item	Date begin	Date end	Part number	Part name	Qty. per model/kit
E2	T1	92-33		679316	Orifice. 0.5, M6 x 8	1
	T2	92-33		578542	Orifice. 0.8, M6 x 8	1
	T3	92-33		578542	Orifice. 0.8, M6 x 8	1
	T4	92-33		578542	Orifice. 0.8, M6 x 8	1
	T5	92-33		913897 (9007712-0605)	Set screw	1
	T6	92-33		578542	Orifice. 0.8, M6 x 8	1
	T7	92-33		639096	Orifice. 0.6, M5 x 6	1
	T8	92-33		639096	Orifice. 0.6, M5 x 6	1
	U6	92-33		044081	Orifice. 0.7, M6 x 8	1
	U7	92-33		044081	Orifice. 0.7, M6 x 8	1
E3	T1	92-33		679316	Orifice. 0.5, M6 x 8	1
	T2	92-33		578542	Orifice. 0.8, M6 x 8	1
	T3	92-33		578542	Orifice. 0.8, M6 x 8	1
	T4	92-33		578542	Orifice. 0.8, M6 x 8	1
	T5	92-33		913897 (9007712-0605)	Set screw	1
	T6	92-33		913897 (9007712-0605)	Set screw	1
	T7	92-33		639096	Orifice. 0.6, M5 x 6	1
	T8	92-33		639096	Orifice. 0.6, M5 x 6	1
	U6	92-33		044081	Orifice. 0.7, M6 x 8	1
	U7	92-33		044081	Orifice. 0.7, M6 x 8	1
E4	T1	92-33		679316	Orifice. 0.5, M6 x 8	1
	T2	92-33		578542	Orifice. 0.8, M6 x 8	1
	T3	92-33		578542	Orifice. 0.8, M6 x 8	1
	T4	92-33		913897 (9007712-0605)	Set screw	1
	T5	92-33		913897 (9007712-0605)	Set screw	1
	T6	92-33		578542	Orifice. 0.8, M6 x 8	1
	T7	92-33		639096	Orifice. 0.6, M5 x 6	1
	T8	92-33		639096	Orifice. 0.6, M5 x 6	1
	U6	92-33		044081	Orifice. 0.7, M6 x 8	1
	U7	92-33		044081	Orifice. 0.7, M6 x 8	1
E5	T1	92-33		679316	Orifice. 0.5, M6 x 8	1
	T2	92-33		578542	Orifice. 0.8, M6 x 8	1
	T3	92-33		578542	Orifice. 0.8, M6 x 8	1
	T4	92-33		578542	Orifice. 0.8, M6 x 8	1
	T5	92-33		913897 (9007712-0605)	Set screw	1
	T6	92-33		578542	Orifice. 0.8, M6 x 8	1
	T7	92-33		639096	Orifice. 0.6, M5 x 6	1
	T8	92-33		639096	Orifice. 0.6, M5 x 6	1
	U5	92-33		913897 (9007712-0605)	Set screw	1
	U6	92-33		511825	Orifice. 0.6, M6 x 8	1

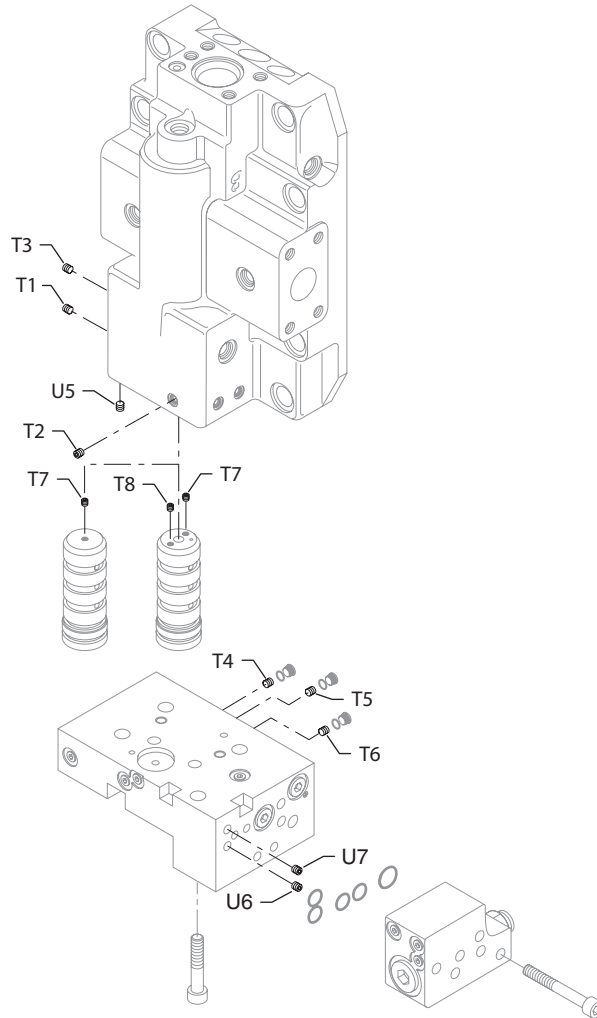


E100 315E

Enlarged **bold** type item numbers are recommended part to stock for servicing.

ORIFICE

Order code	Item	Date begin	Date end	Part number	Part name	Qty. per model/kit	
E6	T1	92-33		679316	Orifice. 0.5, M6 x 8	1	
	T2	92-33		578542	Orifice. 0.8, M6 x 8	1	
	T3	92-33		578542	Orifice. 0.8, M6 x 8	1	
	T7	92-33		639096	Orifice. 0.6, M5 x 6	1	
	T8	92-33		639096	Orifice. 0.6, M5 x 6	1	
	U5	92-33		913897 (9007712-0605)	Set screw	1	
E8	T1	92-33		679316	Orifice. 0.5, M6 x 8	1	
	T2	92-33		578542	Orifice. 0.8, M6 x 8	1	
	T3	92-33		578542	Orifice. 0.8, M6 x 8	1	
	T4	92-33		913897 (9007712-0605)	Set screw	1	
	T5	92-33		913897 (9007712-0605)	Set screw	1	
	T6	92-33		578542	Orifice. 0.8, M6 x 8	1	
	T7	92-33		639096	Orifice. 0.6, M5 x 6	1	
	T8	92-33		639096	Orifice. 0.6, M5 x 6	1	
	U5	92-33		913897 (9007712-0605)	Set screw	1	
	U6	92-33		511825	Orifice. 0.6, M6 x 8	1	
	U7	92-33		511825	Orifice. 0.6, M6 x 8	1	
	F1	T1	92-33		679316	Orifice. 0.5, M6 x 8	1
		T2	92-33		578542	Orifice. 0.8, M6 x 8	1
T3		92-33		578542	Orifice. 0.8, M6 x 8	1	
T5		92-33		578542	Orifice. 0.8, M6 x 8	1	
T7		92-33		639096	Orifice. 0.6, M5 x 6	1	
T8		92-33		639096	Orifice. 0.6, M5 x 6	1	
U6		92-33		578542	Orifice. 0.8, M6 x 8	1	
U7		92-33		578542	Orifice. 0.8, M6 x 8	1	
F5	T7	92-33		639096	Orifice. 0.6, M5 x 6	1	
	T8	92-33		639096	Orifice. 0.6, M5 x 6	1	
	U6	92-33		913897 (9007712-0605)	Set screw	1	
	U7	92-33		044081	Orifice. 0.7, M6 x 8	1	
F7	T2	92-33		578542	Orifice. 0.8, M6 x 8	1	
	T3	92-33		578542	Orifice. 0.8, M6 x 8	1	
	T4	92-33		578542	Orifice. 0.8, M6 x 8	1	
	T5	92-33		913897 (9007712-0605)	Set screw	1	
	T6	92-33		578542	Orifice. 0.8, M6 x 8	1	
	T7	92-33		639096	Orifice. 0.6, M5 x 6	1	
	T8	92-33		639096	Orifice. 0.6, M5 x 6	1	
	U5	92-33		913897 (9007712-0605)	Set screw	1	

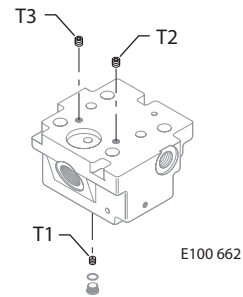
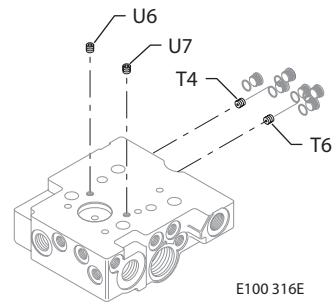
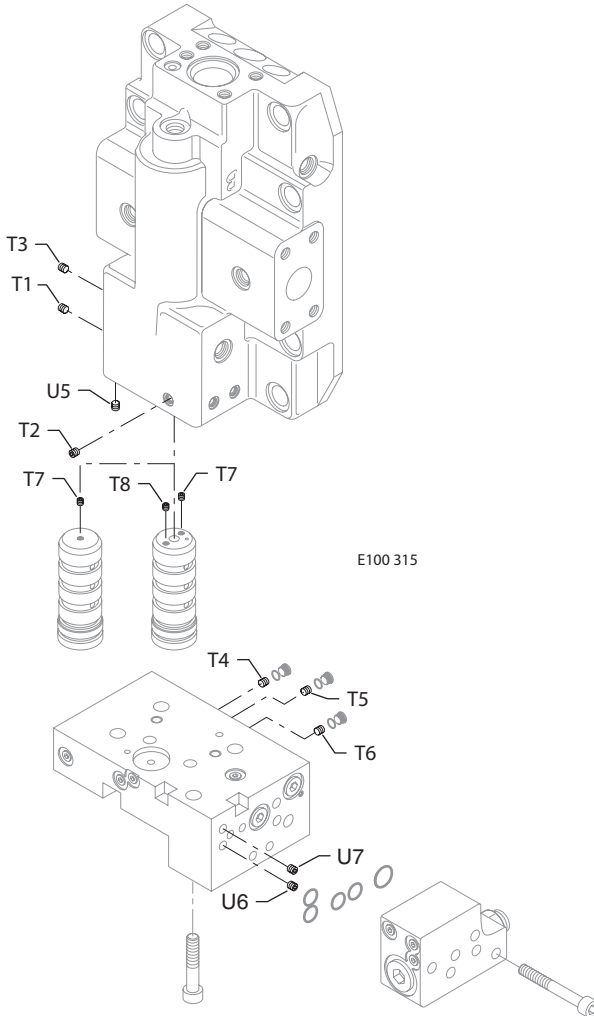


E100 315E

Enlarged **bold** type item numbers are recommended part to stock for servicing.

ORIFICE

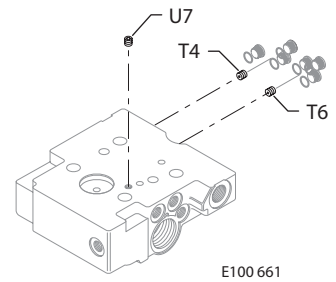
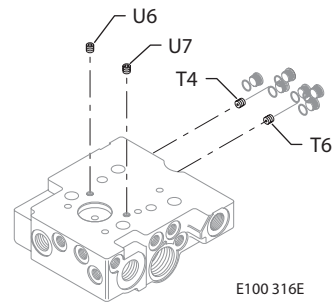
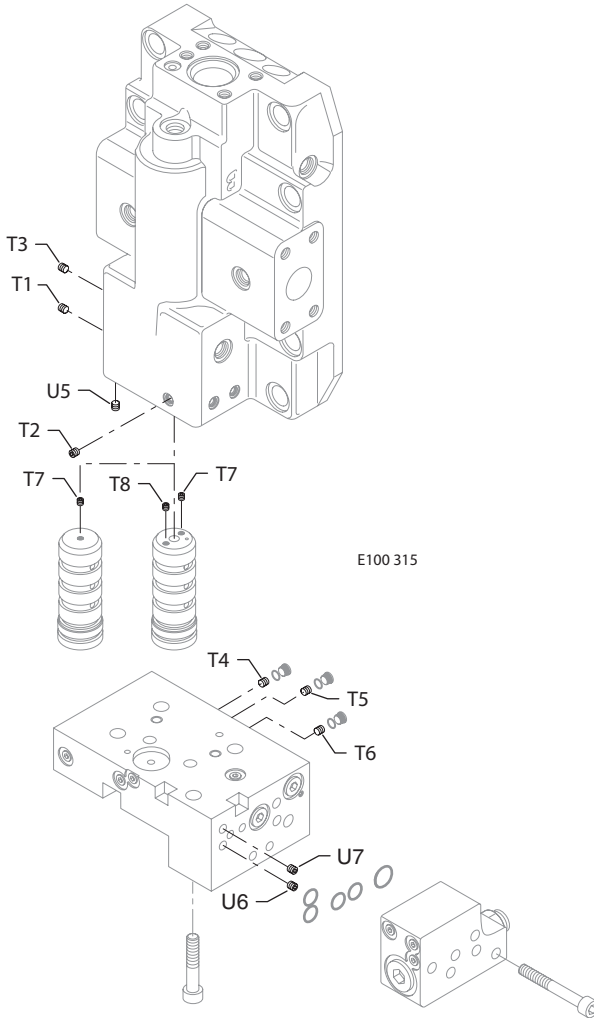
Order code	Item	Date begin	Date end	Part number	Part name	Qty. per model/kit
F8	T1	92-33		578542	Orifice, 0.8, M6 x 8	1
	T2	92-33		578542	Orifice, 0.8, M6 x 8	1
	T3	92-33		578542	Orifice, 0.8, M6 x 8	1
	T4	92-33		913897 (9007712-0605)	Set screw	1
	T5	92-33		578542	Orifice, 0.8, M6 x 8	1
	T6	92-33		913897 (9007712-0605)	Set screw	1
	T7	92-33		639096	Orifice, 0.6, M5 x 6	1
	T8	92-33		639096	Orifice, 0.6, M5 x 6	1
G0	T1	92-33		578542	Orifice, 0.8, M6 x 8	1
	T2	92-33		679316	Orifice, 0.5, M6 x 8	1
	T3	92-33		679316	Orifice, 0.5, M6 x 8	1
G1	T1	92-33		578542	Orifice, 0.8, M6 x 8	1
	T2	92-33		679316	Orifice, 0.5, M6 x 8	1
	T3	92-33		679316	Orifice, 0.5, M6 x 8	1
	U6	92-33		578542	Orifice, 0.8, M6 x 8	1
	U7	92-33		578542	Orifice, 0.8, M6 x 8	1
G2	T1	92-33		578542	Orifice, 0.8, M6 x 8	1
	T2	92-33		679316	Orifice, 0.5, M6 x 8	1
	T3	92-33		679316	Orifice, 0.5, M6 x 8	1
	T5	92-33		913897 (9007712-0605)	Set screw	1
	U6	92-33		578542	Orifice, 0.8, M6 x 8	1
	U7	92-33		578542	Orifice, 0.8, M6 x 8	1
	G5	T1	92-33		679316	Orifice, 0.5, M6 x 8
	T2	92-33		679316	Orifice, 0.5, M6 x 8	1
	T3	92-33		679316	Orifice, 0.5, M6 x 8	1
G6	T1	92-33		679316	Orifice, 0.5, M6 x 8	1
	T2	92-33		679316	Orifice, 0.5, M6 x 8	1
	T3	92-33		679316	Orifice, 0.5, M6 x 8	1
	U6	92-33		578542	Orifice, 0.8, M6 x 8	1
	U7	92-33		578542	Orifice, 0.8, M6 x 8	1
G7	T1	92-33		679316	Orifice, 0.5, M6 x 8	1
	T2	92-33		679316	Orifice, 0.5, M6 x 8	1
	T3	92-33		679316	Orifice, 0.5, M6 x 8	1
	T5	92-33		913897 (9007712-0605)	Set screw	1
	U6	92-33		578542	Orifice, 0.8, M6 x 8	1
	U7	92-33		578542	Orifice, 0.8, M6 x 8	1



Enlarged **bold** type item numbers are recommended part to stock for servicing.

ORIFICE

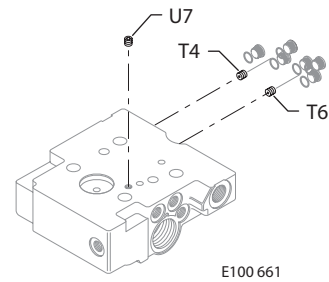
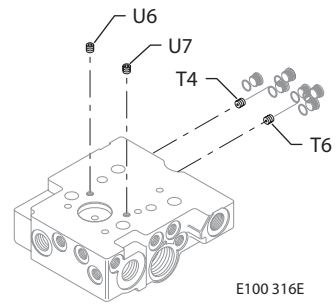
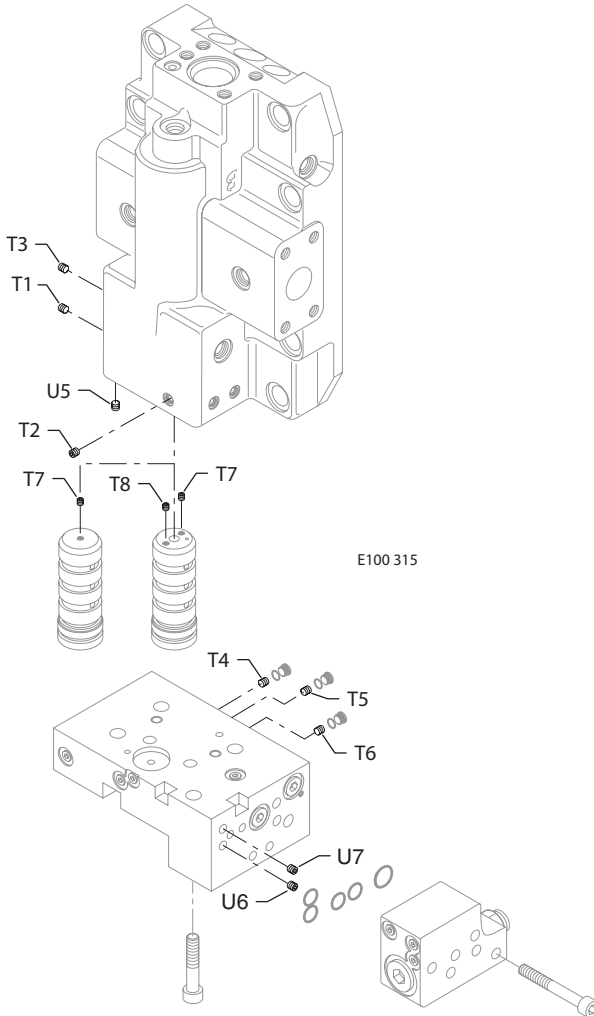
Order code	Item	Date begin	Date end	Part number	Part name	Qty. per model/kit
G8	T1	92-33		679316	Orifice, 0.5, M6 x 8	1
	T2	92-33		679316	Orifice, 0.5, M6 x 8	1
	T3	92-33		679316	Orifice, 0.5, M6 x 8	1
	T5	92-33		913897 (9007712-0605)	Set screw	1
	T6	92-33		913897 (9007712-0605)	Set screw	1
	U6	92-33		578542	Orifice, 0.8, M6 x 8	1
	U7	92-33		578542	Orifice, 0.8, M6 x 8	1
H2	T1	92-33		578542	Orifice, 0.8, M6 x 8	1
	T2	92-33		578542	Orifice, 0.8, M6 x 8	1
	T3	92-33		578542	Orifice, 0.8, M6 x 8	1
H4	T4	92-33		578542	Orifice, 0.8, M6 x 8	1
	T6	92-33		578542	Orifice, 0.8, M6 x 8	1
	T7	92-33		639096	Orifice, 0.6, M5 x 6	1
	T8	92-33		639096	Orifice, 0.6, M5 x 6	1
	U6	92-33		044081	Orifice, 0.7, M6 x 8	1
	U7	92-33		044081	Orifice, 0.7, M6 x 8	1
	H5	T1	92-33		044081	Orifice, 0.7, M6 x 8
T2		92-33		578542	Orifice, 0.8, M6 x 8	1
T3		92-33		578542	Orifice, 0.8, M6 x 8	1
T7		92-33		639096	Orifice, 0.6, M5 x 6	1
T8		92-33		639096	Orifice, 0.6, M5 x 6	1
H6		T1	92-33		679316	Orifice, 0.5, M6 x 8
	T2	92-33		578542	Orifice, 0.8, M6 x 8	1
	T3	92-33		578542	Orifice, 0.8, M6 x 8	1
H7	T1	92-33		578542	Orifice, 0.8, M6 x 8	1
	T2	92-33		578542	Orifice, 0.8, M6 x 8	1
	T3	92-33		578542	Orifice, 0.8, M6 x 8	1
	U5	92-33		913897 (9007712-0605)	Set screw	1
H9	T1	92-33		578542	Orifice, 0.8, M6 x 8	1
	T2	92-33		578542	Orifice, 0.8, M6 x 8	1
	T3	92-33		578542	Orifice, 0.8, M6 x 8	1
J1	T1	92-33		578542	Orifice, 0.8, M6 x 8	1
	T2	92-33		578542	Orifice, 0.8, M6 x 8	1
	T3	92-33		578542	Orifice, 0.8, M6 x 8	1
J2	T1	92-33		511825	Orifice, 0.6, M6 x 8	1
	T2	92-33		511825	Orifice, 0.6, M6 x 8	1
	T3	92-33		511825	Orifice, 0.6, M6 x 8	1



Enlarged **bold** type item numbers are recommended part to stock for servicing.

ORIFICE

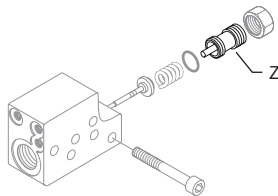
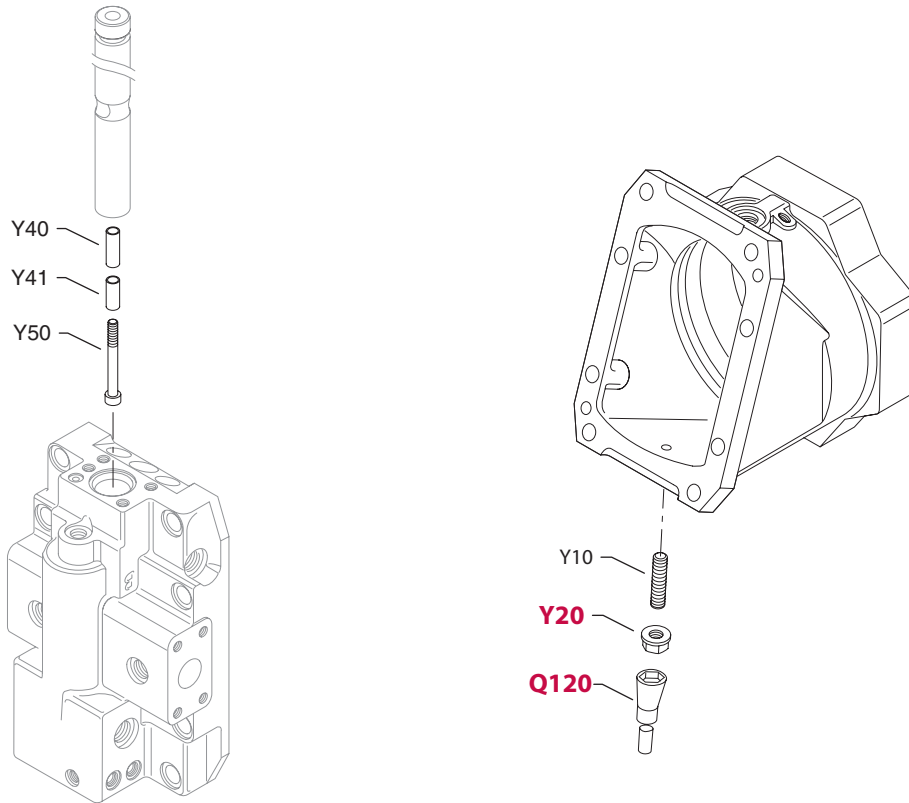
Order code	Item	Date begin	Date end	Part number	Part name	Qty. per model/kit
J5	T4	92-33		578542	Orifice, 0.8, M6 x 8	1
	T6	92-33		913897 (9007712-0605)	Set screw	1
	T7	92-33		639096	Orifice, 0.6, M5 x 6	1
	T8	92-33		639096	Orifice, 0.6, M5 x 6	1
	U6	92-33		578542	Orifice, 0.8, M6 x 8	1
	U7	92-33		578542	Orifice, 0.8, M6 x 8	1
K1	T1	92-33		679316	Orifice, 0.5, M6 x 8	1
	T2	92-33		679316	Orifice, 0.5, M6 x 8	1
	T3	92-33		679316	Orifice, 0.5, M6 x 8	1
	U5	92-33		913897 (9007712-0605)	Set screw	1
K3	T2	92-33		511825	Orifice, 0.6, M6 x 8	1
	T7	92-33		639096	Orifice, 0.6, M5 x 6	1
	T8	92-33		639096	Orifice, 0.6, M5 x 6	1
	U7	92-33		511825	Orifice, 0.6, M6 x 8	1
K4	T2	92-33		578542	Orifice, 0.8, M6 x 8	1
	T3	92-33		578542	Orifice, 0.8, M6 x 8	1
K6	T2	92-33		508014	Orifice, 1.0, M6 x 8	1
	T3	92-33		508014	Orifice, 1.0, M6 x 8	1
	T5	92-33		578542	Orifice, 0.8, M6 x 8	1
	T7	92-33		639096	Orifice, 0.6, M5 x 6	1
	T8	92-33		639096	Orifice, 0.6, M5 x 6	1
	U5	92-33		913897 (9007712-0605)	Set screw	1
	U6	92-33		511825	Orifice, 0.6, M6 x 8	1
	U7	92-33		511825	Orifice, 0.6, M6 x 8	1
K7	T1	92-33		578542	Orifice, 0.8, M6 x 8	1
	T2	92-33		679316	Orifice, 0.5, M6 x 8	1
	T3	92-33		679316	Orifice, 0.5, M6 x 8	1
	T7	92-33		639096	Orifice, 0.6, M5 x 6	1
	T8	92-33		639096	Orifice, 0.6, M5 x 6	1
	L1	T4	92-33		578542	Orifice, 0.8, M6 x 8
T6		92-33		578542	Orifice, 0.8, M6 x 8	1
T7		92-33		639096	Orifice, 0.6, M5 x 6	1
T8		92-33		639096	Orifice, 0.6, M5 x 6	1
U5		92-33		913897 (9007712-0605)	Set screw	1
U6		92-33		044081	Orifice, 0.7, M6 x 8	1
U7		92-33		044081	Orifice, 0.7, M6 x 8	1
M1		T4	92-33		578542	Orifice, 0.8, M6 x 8
	T6	92-33		578542	Orifice, 0.8, M6 x 8	1
	T7	92-33		639096	Orifice, 0.6, M5 x 6	1
	T8	92-33		639096	Orifice, 0.6, M5 x 6	1
	U7	92-33		044081	Orifice, 0.7, M6 x 8	1



Enlarged **bold** type item numbers are recommended part to stock for servicing.

ORIFICE

Order code	Item	Date begin	Date end	Part number	Part name	Qty. per model/kit
M2	T1	92-33		508014	Orifice, 1.0, M6 x 8	1
	T2	92-33		508014	Orifice, 1.0, M6 x 8	1
	T3	92-33		508014	Orifice, 1.0, M6 x 8	1
	T7	92-33		639096	Orifice, 0.6, M5 x 6	1
	T8	92-33		639096	Orifice, 0.6, M5 x 6	1
M4	T2	92-33		578542	Orifice, 0.8, M6 x 8	1
	T3	92-33		578542	Orifice, 0.8, M6 x 8	1
	U7	92-33		511825	Orifice, 0.6, M6 x 8	1
M5	T2	92-33		511825	Orifice, 0.6, M6 x 8	1
	T4	92-33		578542	Orifice, 0.8, M6 x 8	1
	T6	92-33		578542	Orifice, 0.8, M6 x 8	1
	U7	92-33		044081	Orifice, 0.7, M6 x 8	1
	U7	92-33		044081	Orifice, 0.7, M6 x 8	1
M6	T1	92-33		578542	Orifice, 0.8, M6 x 8	1
	T2	92-33		578542	Orifice, 0.8, M6 x 8	1
	T3	92-33		578542	Orifice, 0.8, M6 x 8	1
	T5	92-33		913897 (9007712-0605)	Set screw	1
	U7	92-33		578542	Orifice, 0.8, M6 x 8	1
M8	T2	92-33		511825	Orifice, 0.6, M6 x 8	1
	T3	92-33		511825	Orifice, 0.6, M6 x 8	1
	U5	92-33		913897 (9007712-0605)	Set screw	1
N2	T2	92-33		511825	Orifice, 0.6, M6 x 8	1
	T3	92-33		511825	Orifice, 0.6, M6 x 8	1
	U7	92-33		511825	Orifice, 0.6, M6 x 8	1
N4	T2	92-33		044081	Orifice, 0.7, M6 x 8	1
	T3	92-33		044081	Orifice, 0.7, M6 x 8	1
	U7	92-33		511825	Orifice, 0.6, M6 x 8	1
N6	T1	92-33		511825	Orifice, 0.6, M6 x 8	1
	T2	92-33		578542	Orifice, 0.8, M6 x 8	1
	T3	92-33		578542	Orifice, 0.8, M6 x 8	1
	U5	92-33		913897 (9007712-0605)	Set screw	1
N8	T1	92-33		578542	Orifice, 0.8, M6 x 8	1
	T2	92-33		679316	Orifice, 0.5, M6 x 8	1
	T3	92-33		578542	Orifice, 0.8, M6 x 8	1
	U6	92-33		578542	Orifice, 0.8, M6 x 8	1
	U7	92-33		578542	Orifice, 0.8, M6 x 8	1



E100 317E

Enlarged **bold** type item numbers are recommended part to stock for servicing.

MINIMUM DISPLACEMENT

022-046	Q120	92-33		770842	Safety cap	1
	Y10	92-33		350090	Set screw, M12 x 70	1
	Y20	92-33		076042 (9003509-0012)	Seal nut, M12	1
047-074	Q120	92-33		770842	Safety cap	1
	Y10	92-33		076109	Set screw, M12 x 80	1
	Y20	92-33		076042 (9003509-0012)	Seal nut, M12	1
077	Q120	92-33		770842	Safety cap	1
	Y10	92-33		689190 (9007712-1215)	Set screw, M12 x 50	1
	Y20	92-33		076042 (9003509-0012)	Seal nut, M12	1
	Y40	92-33		318683	Spacer, 9 mm	1
	Y41	92-33		682211	Spacer, 15 mm	1
	Y50	92-33		393777	Screw, M10 x 70	1
080	Q120	92-33		770842	Safety cap	1
	Y10	92-33		689190 (9007712-1215)	Set screw, M12 x 50	1
	Y20	92-33		076042 (9003509-0012)	Seal nut, M12	1
	Y40	92-33		306993	Spacer, 17 mm	1
	Y41	92-33		318683	Spacer, 9 mm	1
	Y50	92-33		399758	Screw, M10 x 75	1
085	Q120	92-33		770842	Safety cap	1
	Y10	92-33		689190 (9007712-1215)	Set screw, M12 x 50	1
	Y20	92-33		076042 (9003509-0012)	Seal nut, M12	1
	Y40	92-33		681692	Spacer, 29 mm	1
	Y50	92-33		399758	Screw, M10 x 75	1
100	Q120	92-33		770842	Safety cap	1
	Y10	92-33		689190 (9007712-1215)	Set screw, M12 x 50	1
	Y20	92-33		076042 (9003509-0012)	Seal nut, M12	1
	Y40	92-33		787846	Spacer, 39.5 mm	1
	Y50	92-33		393785	Screw, M10 x 80	1
N38	Y50	00-01		680686	Screw, M10 x 50	1

PCOR ADJUSTER

00				No parts		
11-26	Z	92-33		745661	Adjuster, 70-260 bar	1
27-37	Z	92-33		745679	Adjuster, 270-420 bar	1
A1-C7				No parts		

PRODUCTS AFFECTED

All Series 51 motors

SUBJECT

End cap gasket change.

DESCRIPTION

Effective immediately, a new end cap gasket has been incorporated on all Series 51 motors. It is a direct replacement for the current gasket. The visible differences between the two gaskets are:

1. The new gasket is thicker. It measures .040" versus .030".
2. The new gasket has a red tint to the surface.

The new gasket is a stand alone gasket which should not be used with any sealing aid. The current torque values stay the same.

The new gaskets are now available and **MUST** be used in any repair or conversion.

MODELS AFFECTED

All series 51 motors

SERIAL NUMBERS

N/A

PART NUMBERS AFFECTED

Frame size	Old part number	New part number
60cc	729228	501198
80cc	734368	501199
110cc	734376	501200
160cc	734384	501201
250cc	734392	501202

PARTS DISPOSITION

- Interchangeable
- Scrap used parts
- Order replacement parts
- Revise existing part orders

PRODUCTS AFFECTED

Series 51: 60cc-250cc motors

SUBJECT

Threshold adjustment screw.

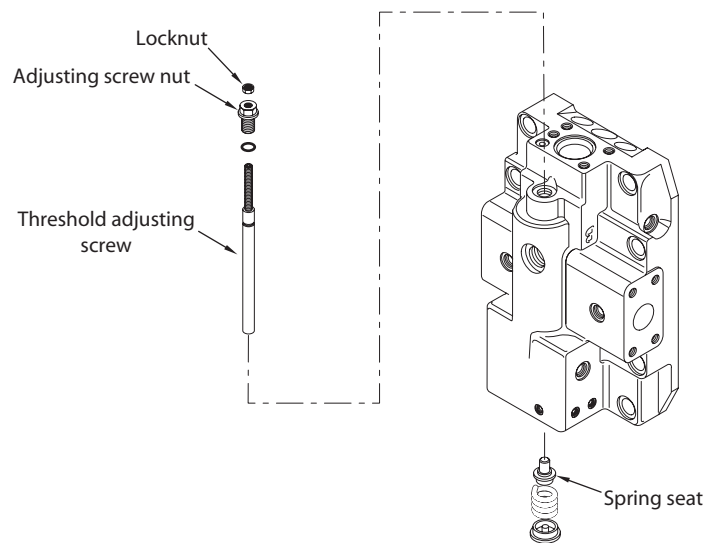
DESCRIPTION

To improve the sensitivity of the threshold adjustment on Series 51 motors, the threads on the adjusting screw are being changed from standard pitch thread to fine pitch thread. The adjusting screw nut and lock nut will also change. At the same time, the bore diameter in the end of the adjusting screw and the pin diameter on the end of the spring seat will decrease.

The old style parts will be obsolete and no longer available as service parts. A service kit containing the adjusting assembly and the spring seat has been created.

Piece parts are not interchangeable.

All noted parts must be replaced.



MODELS AFFECTED

All series 51: 60cc - 250cc motors

SERIAL NUMBERS

This change became effective at serial number N-96-07-xxxxx.

PART NUMBERS AFFECTED

Frame size	Old hardware				New kits
	Spring seat	Adjusting screw nut	Lock nut	Theshold adjusting screw	Threshold adjusting kit
60cc	722264	732487	69393	729251	507691
80cc	722264	732487	69393	732503	507692
80cc	722264	732487	69393	737353	507672
110cc	722264	732487	69393	732511	507693
110cc	722264	732487	69393	732503	507677
160cc	722264	732487	69393	792051	507694
250cc	722264	732487	69393	792069	507695

PARTS DISPOSITION

■ Interchangeable - Piece part are not interchangeable

PRODUCTS AFFECTED

Series 51: 60cc - 250cc motors

SUBJECT

Change to balanced areas between end cap and valve segment.

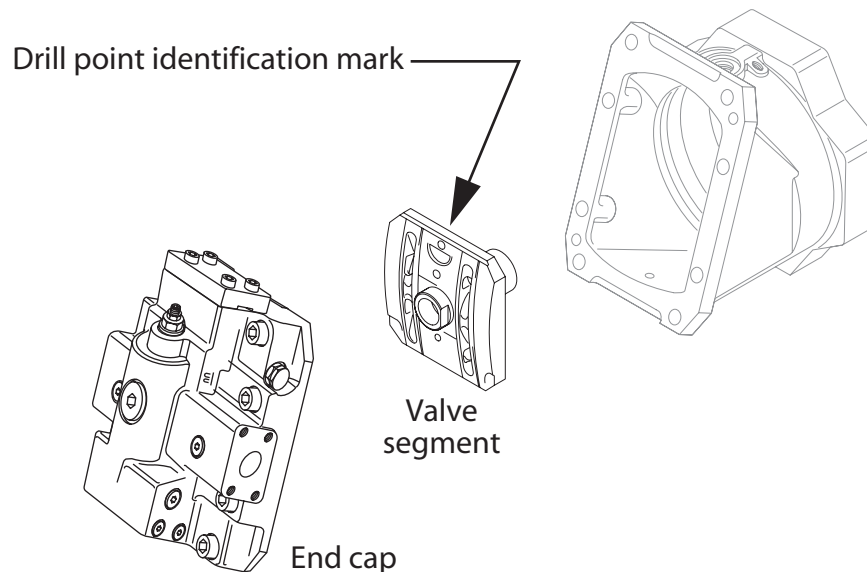
DESCRIPTION

As part of the continuing Series 51 product improvement program, the balance lands on the end cap and valve segment have been changed. The valve segment now defines the balance. The contact surface of the end cap has been made larger while the contact surface of the valve segment has been reduced. The change was implemented in three steps:

1. Change the valve segment so it defines the balance between the valve segment and the end cap. This change was implemented May 1994.
2. Change the end cap to allow a larger contact surface to keep the load area constant. This change was implemented January 1995
3. Change the valve segment to allow a smaller contact surface and reduce the balance. This change was implemented February 1996.

Do not use a new end cap with an old valve segment. However a new valve segment will work with an old end cap. The new valve segment (3rd step) is marked with a drill point on the cylinder block interface side next to the outer drain hole.

The old end cap and valve segment part numbers are obsolete. They are no longer available as genuine service parts.



MODELS AFFECTED

All Series 51 motors

SERIAL NUMBERS

N-96-12-xxxxx and later

PART NUMBERS AFFECTED

End caps	Radial ports		Radial ports		Axial ports		Axial ports	
	w/LF		w/o LF		w/LF		w/o LF	
	Old	New	Old	New	Old	New	Old	New
60cc	729210	504226	779793	504227	-	-	-	-
80cc	731794	504230	731794	504231	739615	504232	739615	504234
110cc	731802	504236	731802	504236	739631	504237	739631	504238
160cc	731810	504239	731810	504240	731828	504242	731828	504243
250cc	731836	504244	783282	504245	731844	504246	731844	504247

Valve segment	Standard spindle		Retained spindle	
	Old	New	Old	New
60cc	732701	504718	-	-
80cc	360354	503939	-	-
110cc	349076	504715	501349	507758
160cc	356139	507242	500341	507759
250cc	367896	508202	502561	508202

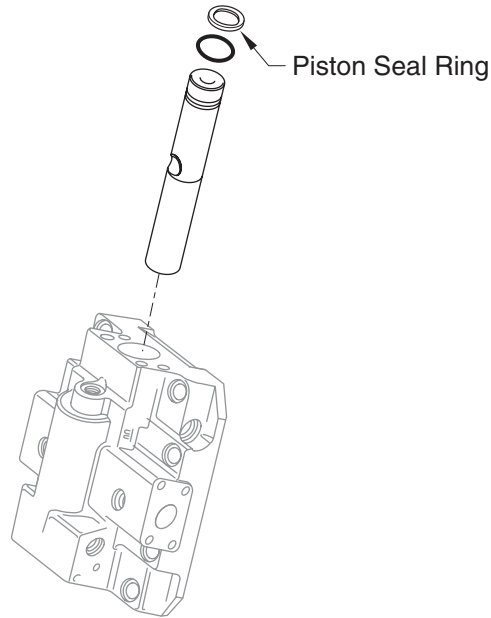
PARTS DISPOSITION

■ Interchangeable - except where noted

PRODUCTS AFFECTED Series 51: 60 thru 250cc variable motors

SUBJECT Servo piston seal ring change

DESCRIPTION As a product improvement, Sauer-Danfoss is changing the vendor for the servo piston seal ring used in the Series 51 variable motors. As a result, the old piston seal ring will become obsolete and no longer available as a service part.



MODELS AFFECTED All Series 51 motors

SERIAL NUMBERS N-96-08-xxxxx and after

PART NUMBERS AFFECTED

Frame size	Old part number	New part number
60cc	504202	508131
80cc	504203	508132
110cc	504204	508133
160cc	504205	508134
250cc	687277	504136

PARTS DISPOSITION ■ Interchangeable

PRODUCTS AFFECTED

Series 51: 60 thru 250cc variable motors

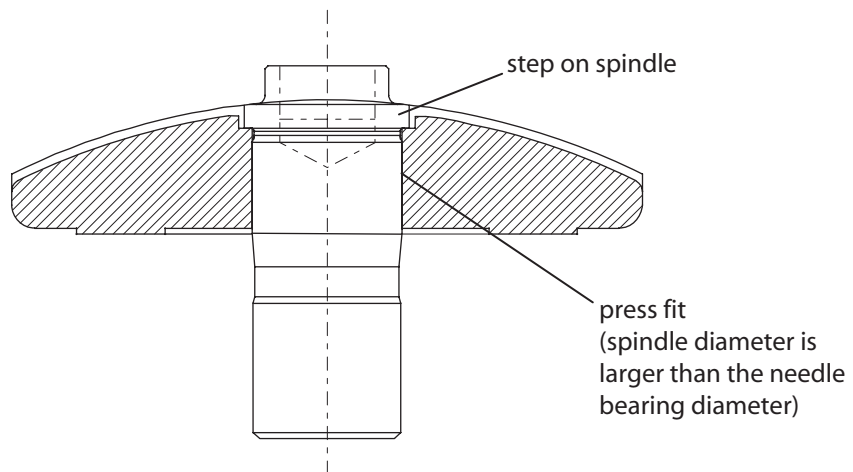
SUBJECT

Change to stepped spindle in valve segment

DESCRIPTION

As part of the continuing Series 51 product improvement, the valve segment spindle design has been changed. The new design spindle has a step that stops against a recess in the valve segment. The new stepped spindle valve segment assembly replaces the valve segment assemblies with the straight spindle and the retained spindle.

The old segment valve assemblies will become obsolete. The stepped spindle valve segment assembly will be the standard for all models.



MODELS AFFECTED

All Series 51 motors

SERIAL NUMBERS

N-96-08-xxxxx and after

PART NUMBERS AFFECTED

Frame size	Obsolete Straight spindle valve segment	Obsolete Retained spindle valve segment	New Stepped spindle valve segment
60cc	504718	-	508197
80cc	503939	-	508198
110cc	504715	507758	508199
160cc	507252	507759	508201
250cc	507757	507760	508202

PARTS DISPOSITION

■ Interchangeable - except where noted

PRODUCTS AFFECTED

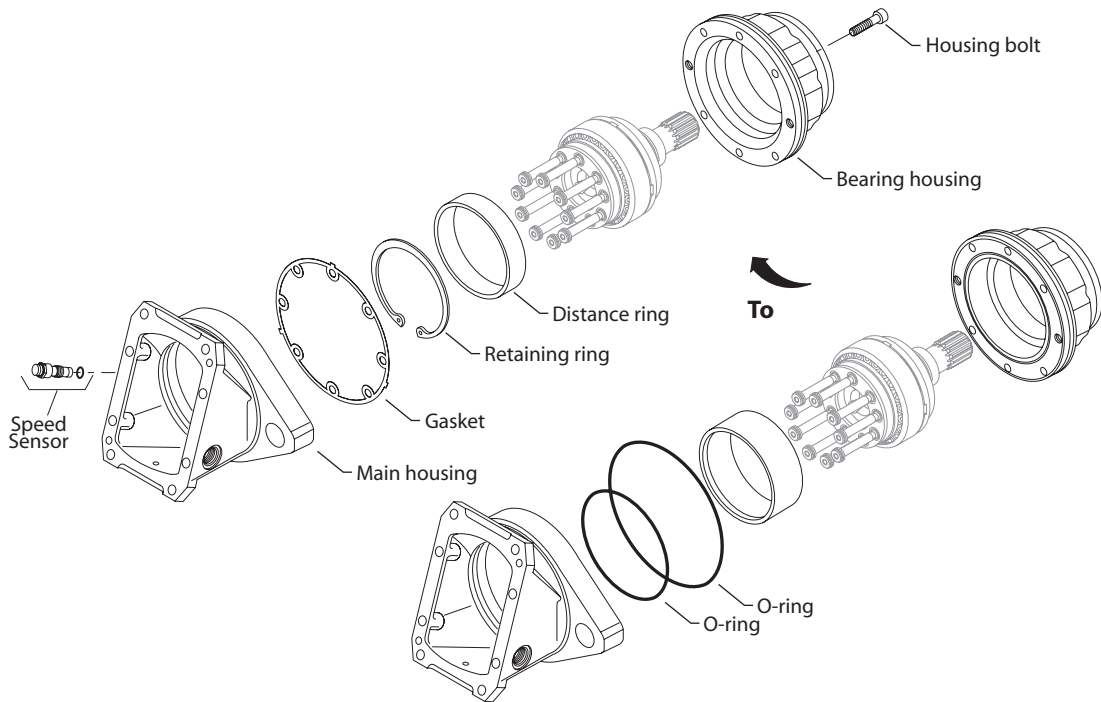
Series 51 cartridge motors

SUBJECT

Incorporation of speed sensor into cartridge motors.

DESCRIPTION

In order to incorporate a speed sensor into the Series 51 cartridge motors, some changes have been made to the main housing and bearing housing. These changes included: adding a boss to the side of the main housing for the speed sensor, changing from O-ring seals between housings to a gasket seal, shortening the distance ring to allow clearance for the speed sensor, and adding a retaining ring to locate the distance ring. These parts are non-interchangeable as both housings have changed. The old housings and distance ring are obsolete and no longer available as service parts. Refer to Service Bulletin SB-1998-021 for housing bolt torque and sequence.



MODELS AFFECTED

51C060, 51C080, and 51C110 cartridge motors

SERIAL NUMBERS

51C060 motors = N-94-42-xxxxx and after
 51C080 motors = N-94-42-xxxxx thru N-98-32-xxxxx. After N98-32-xxxxx see SB-1998-086
 51C110 motors = N-96-24-xxxxx and after

PART NUMBERS AFFECTED

	From	To	From	To	From	To
Description	60cc	60cc	80cc	80cc	110cc	110cc
Main housing	741652	501103	734855	501104	738997	501105
Bearing housing	763756	501108	734632	501109	738971	501110
Retaining ring	--	501120	--	371625	--	504732
Gasket	--	501019	--	507259	--	501113
O-ring	792319	--	916759	--	502206	--
O-ring	502204	--	279570	--	502207	--
Distance ring	741702	501116	734913	501117	739045	501118

PARTS DISPOSITION

■ Non-interchangeable

PRODUCTS AFFECTED

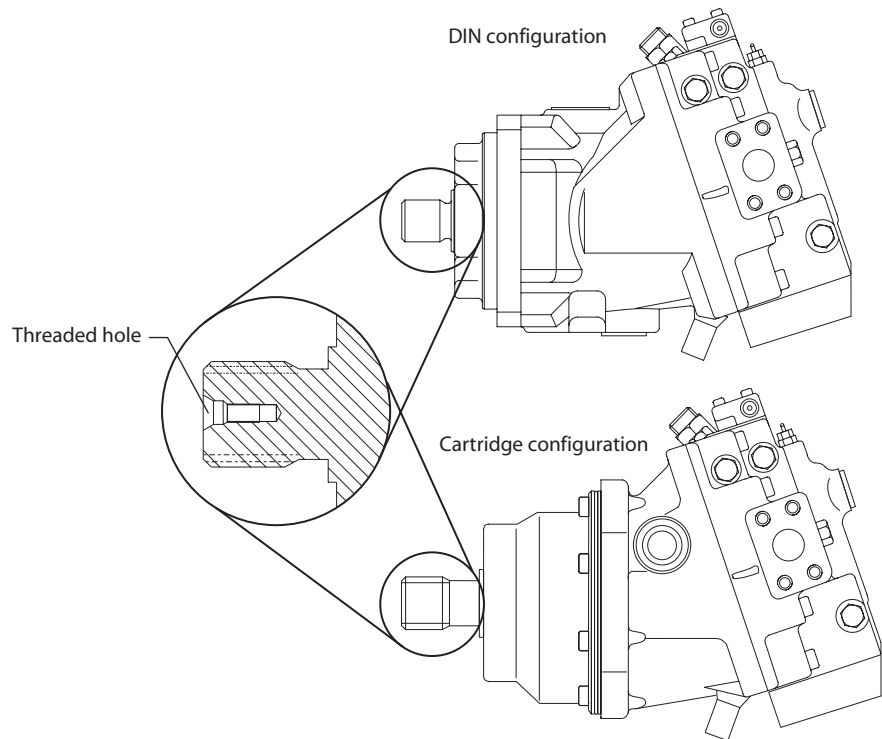
Series 51: 60cc, 80cc, 110cc, and 160cc motors

SUBJECT

Thread change at customer end of DIN shaft assemblies.

DESCRIPTION

As a product improvement, Sauer-Danfoss has changed the threaded hole at the customer end of DIN shaft assemblies to metric threads. Metric shaft assemblies will now have a metric threaded hole. To aid in identifying this change, new shaft assembly part numbers have been released. The new shaft assemblies are interchangeable with the previous shaft assemblies. The previous shaft assembly part numbers will become obsolete.



MODELS AFFECTED

All 60, 80, 110, and 160cc motors (Series 51 and 51-1) with DIN shaft assemblies

SERIAL NUMBERS

See table below

PART NUMBERS AFFECTED

Frame size	Shaft code	Previous p/n	New p/n	Bolt size FROM	Bolt size TO	Effective after serial number
60cc	D1	747931	513034	7/16 - 14	M10 x 1.5	N-99-17-xxxxx
60cc	D2	787622	513033	7/16 - 14	M10 x 1.5	N-99-52-xxxxx
80cc	D2	742213	513037	7/16 - 14	M10 x 1.5	N-99-13-xxxxx
80cc	D3	783399	513035	7/16 - 14	M10 x 1.5	N-99-12-xxxxx
110cc	D3	787663	513039	5/8 - 11	M12 x 1.75	N-99-16-xxxxx
110cc	D4	749192	513038	5/8 - 11	M12 x 1.75	N-99-17-xxxxx
160cc	D4	787689	513041	5/8 - 11	M12 x 1.75	N-99-16-xxxxx
160cc	D5	749226	513040	5/8 - 11	M12 x 1.75	N-99-39-xxxxx

PARTS DISPOSITION

■ Interchangeable

PRODUCTS AFFECTED

All Series 51 & 51-1 motors

SUBJECT

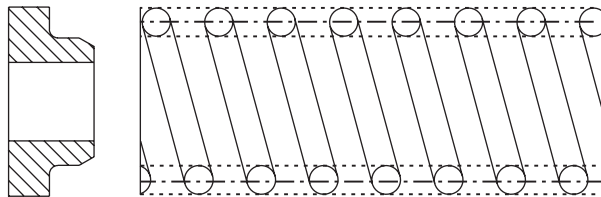
Change to spring and spring seat at ends of loop flushing shuttle spool.

DESCRIPTION

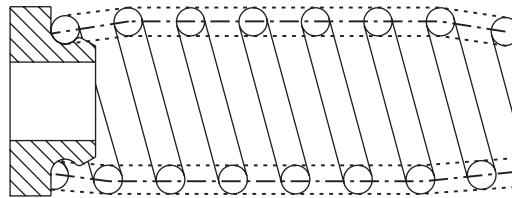
As a product improvement, and to ease assembly, the spring and spring seat at the ends of the loop flushing shuttle spool have been changed. The new spring and spring seat clip together. The old spring and spring seat are interchangeable with the new spring and spring seat as an assembly only.

The old spring seat will become obsolete and no longer available as a service part. The old spring will remain available as a service part.

From:



To:



MODELS AFFECTED

All Series 51 and 51-1 variable motors

SERIAL NUMBERS

This change became effective at serial number N-00-50-xxxxx

PART NUMBERS AFFECTED

From: Spring part number 4350286 and spring seat part number 4800353

To: Spring seat assembly part number 513596

PARTS DISPOSITION

■ Interchangeable - as an assembly only

PRODUCTS AFFECTED

All Series 51 & 51-1 motors

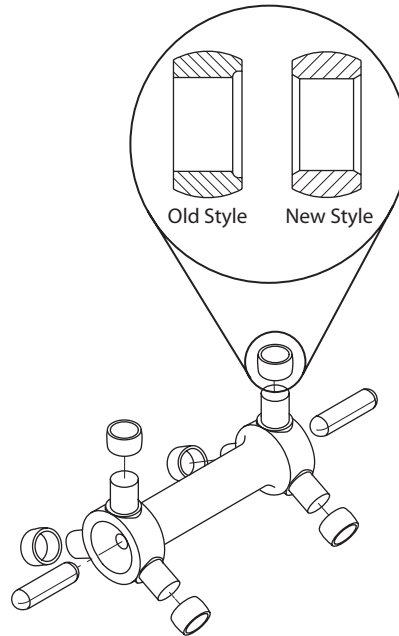
SUBJECT

Incorporation of symmetrical rollers on the synchronizing shaft

DESCRIPTION

As a product improvement and to improve ease of assembly, Sauer-Danfoss has changed the design of the rollers used on the synchronizing shaft in Series 51 and 51-1 motors. The new rollers are symmetrical, in that they can be assembled either direction on the synchronizing shaft. The old rollers were asymmetrical and had to be assembled only one way. The synchronizing shaft has also been changed to accept the symmetrical rollers. The legs for the rollers are now longer in length.

A service kit is available to replace the old design synchronizing shaft and rollers, which are obsolete and no longer available as service parts. The pins at each end of the synchronizing shaft are still the same parts.



MODELS AFFECTED

All Series 51 and 51-1 motors

SERIAL NUMBERS

Effective after N-01-39-xxxxx

PART NUMBERS AFFECTED

Frame size	Old kit part number	New kit part number
60cc	771675	517308
80cc	771121	517309
110cc	773267	516485
160cc	776823	517310
250cc	776831	517311

PARTS DISPOSITION

- Interchangeable; as an assembly only
- Use parts in stock

PRODUCTS AFFECTED

All Series 51 & 51-1 motors

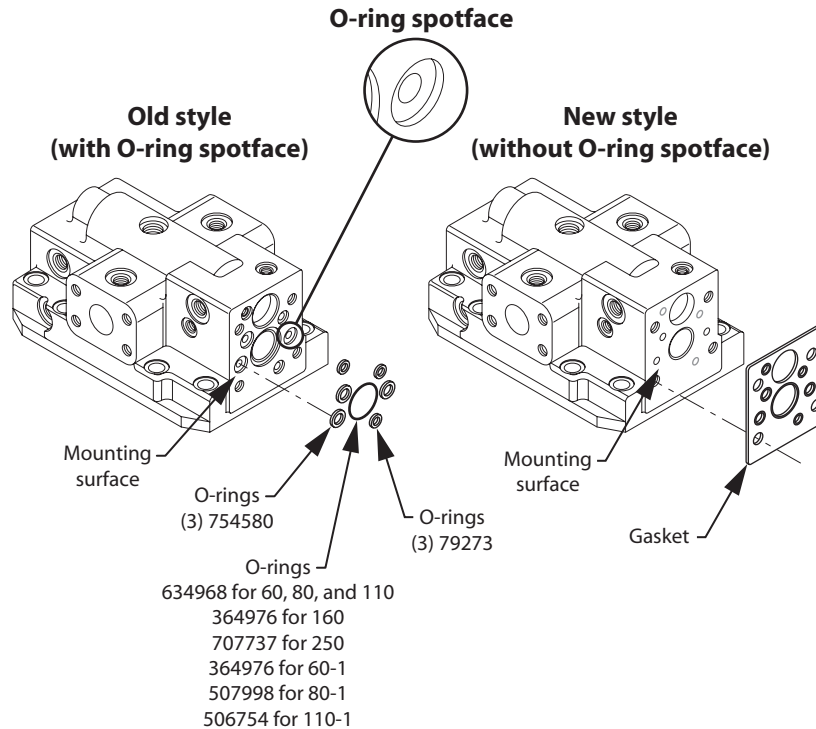
SUBJECT

Sealing change to end cap/control interface

DESCRIPTION

The sealing is improved between the end cap and controls or multi-function blocks on all Series 51 and 51-1 motors. This change replaces individual O-rings with a gasket that incorporates imbedded rubber seal rings. The O-ring spot faces are removed from the end cap mounting face. There is no change to controls' and multi-function blocks' sealing surface.

New end cap part numbers allow better control of this change. Old end cap part numbers are obsolete. You cannot use the new gasket with old end caps and you cannot use the O-rings with new end caps. Control and multi-function block kit now include the O-rings and the new gasket.



MODELS AFFECTED

All Series 51 and 51-1 motors

SERIAL NUMBERS

See table below

PART NUMBERS AFFECTED

End cap code	Frame size	Old part number	New part number	Manufacture date code	Gasket part number
R and T	60	504226	516057	N-03-14-xxxxx	511810
A	60	504228	515695	N-03-12-xxxxx	511810
R	60-1	506563	516902	N-03-39-xxxxx	512411
A	60-1	506564	516905	N-03-28-xxxxx	512411
H	60-1	510643	516920	N-03-28-xxxxx	512411
R and T	80	504230	515056	N-03-14-xxxxx	511810
A	80	504232	515696	N-03-27-xxxxx	511810
R	80-1	507976	516903	N-03-39-xxxxx	512411
A	80-1	507977	516907	N-03-39-xxxxx	512411
H	80-1	507978	516921	N-03-39-xxxxx	512411
R and T	110	504235	516058	N-03-14-xxxxx	511810
A	110	504237	513592	N-03-01-xxxxx	511810
R	110-1	506601	516904	N-03-39-xxxxx	512411
A	110-1	506602	515697	N-03-39-xxxxx	512411
H	110-1	510634	516923	N-03-39-xxxxx	512411
R	160	504239	516059	N-03-07-xxxxx	511851
A	160	504242	513543	N-03-01-xxxxx	511851
R	250	504244	516060	N-03-07-xxxxx	511851
A	250	504246	513544	N-03-08-xxxxx	511851

PARTS DISPOSITION

- Non-interchangeable;
- Order replacement parts



OUR PRODUCTS

Hydrostatic transmissions
Hydraulic power steering
Electric power steering
Electrohydraulic power steering
Closed and open circuit axial piston pumps and motors
Gear pumps and motors
Bent axis motors
Orbital motors
Transit mixer drives
Planetary compact gears
Proportional valves
Directional spool valves
Cartridge valves
Hydraulic integrated circuits
Hydrostatic transaxles
Integrated systems
Fan drive systems
Electrohydraulics
Microcontrollers and software
Electric motors and inverters
Joysticks and control handles
Displays
Sensors

Sauer-Danfoss Mobile Power and Control Systems – Market Leaders Worldwide

Sauer-Danfoss is a comprehensive supplier providing complete systems to the global mobile market.

Sauer-Danfoss serves markets such as agriculture, construction, road building, material handling, municipal, forestry, turf care, and many others.

We offer our customers optimum solutions for their needs and develop new products and systems in close cooperation and partnership with them.

Sauer-Danfoss specializes in integrating a full range of system components to provide vehicle designers with the most advanced total system design.

Sauer-Danfoss provides comprehensive worldwide service for its products through an extensive network of Authorized Service Centers strategically located in all parts of the world.

Sauer-Danfoss (US) Company
2800 East 13th Street
Ames, IA 50010, USA
Phone: +1 515 239-6000, Fax: +1 515 239 6618

Sauer-Danfoss (Neumünster) GmbH & Co. OHG
Postfach 2460, D-24531 Neumünster
Krokamp 35, D-24539 Neumünster, Germany
Phone: +49 4321 871-0, Fax: +49 4321 871 122

Sauer-Danfoss ApS
DK-6430 Nordborg, Denmark
Phone: +45 7488 4444, Fax: +45 7488 4400

www.sauer-danfoss.com