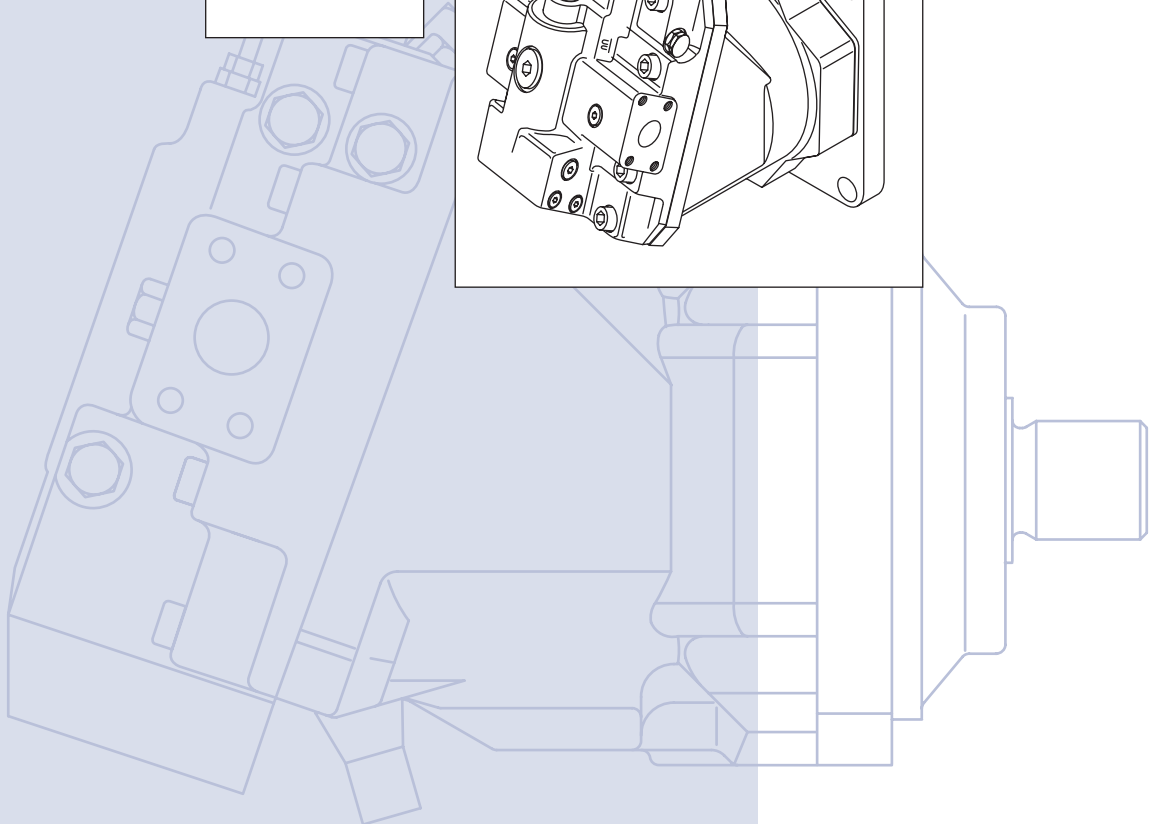
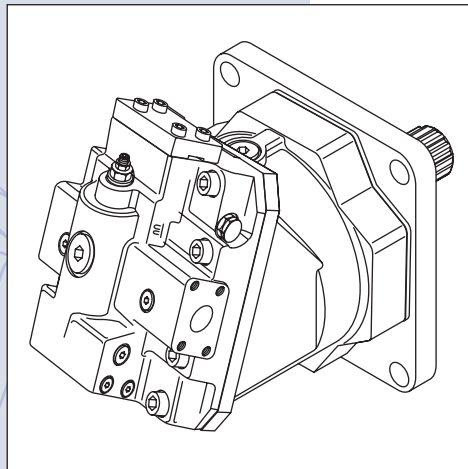
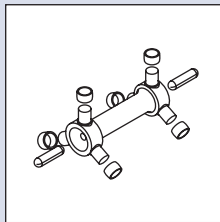
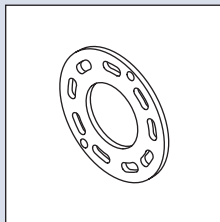
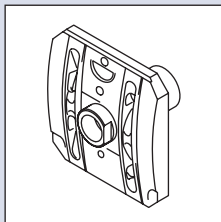




Series 51:80 cc
Variable
Displacement
Motors

Service Parts
Manual



GENERAL INFORMATION	Service parts identification	5
	Nameplate	5
	Date code	6
	Service bulletins.....	6
	Procedure to identify a part.....	6
ORDER CODE	Order code	7
CARTRIDGE FLANGE	Common parts	8-9
	Special hardware	8-9
DIN FLANGE	Common parts	10-11
	Special hardware	10-11
SAE FLANGE	Common parts	12-15
	Special hardware	12-15
MAXIMUM DISPLACEMENT	Maximum displacement common parts	16-17
	Maximum displacement.....	16-17
END CAP	Axial ports	18-19
	Side ports	20-23
THRESHOLD/RANGE	Threshold/range	24-27
CHARGE RELIEF	Charge relief.....	28-31
LOOP FLUSHING SYSTEM	Loop flushing.....	30-31
OUTPUT SHAFT	Shaft	30-31
CONTROL	Solenoid proportional (D7 and D8)	32-33
	Electric 2-position (E1, E2, and E5).....	34-35
	Electric-hydraulic proportional (EP, EQ, ER, and ES).....	36-37
	Electric-hydraulic 2-position (F1, F2, G2 and G2).....	38-39
	Hydraulic porportional with electric override (H1 and H2)	40-41
	Hydraulic proportional (HA, HB, and HE).....	40-41
	Hydraulic proportional (HC)	42-43
	Hydraulic proportional (HP, HS, and HZ).....	44-45
	Hydraulic porportional with electric override (J1, J2, J3, and J4).....	46-47
	Hydraulic proportional (JA)	48-49
	Hydraulic porportional with electric override (K1 and K2).....	48-49

© 2000, 2004 Sauer-Danfoss. All rights reserved. Printed in U.S.A.

Sauer-Danfoss accepts no responsibility for possible errors in catalogs, brochures and other printed material. Sauer-Danfoss reserves the right to alter its products without prior notice. This also applies to products already ordered provided that such alterations aren't in conflict with agreed specifications. All trademarks in this material are properties of their respective owners. Sauer-Danfoss and the Sauer-Danfoss logotype are trademarks of the Sauer-Danfoss Group.

Front cover illustrations: P100 668, P100 669, P100 670 P100 667

CONTROL (CONTINUED)	Solenoid proportional (L1, L2, L3, and L7)	50-51
	Hydraulic 2-position (N2).....	52-53
	Pressure compensator (PC).....	52-53
	Electric-hydraulic 2-position with pressure compensator (T1 and T2).....	54-55
	Pressure compensator (TA).....	56-57
	Hydraulic 2-position with pressure compensator (TH)	56-57
	Electric-hydraulic 2-position without pressure compensator (U1 and U2).....	58-59
	Electric-hydraulic proportional (Y7)	58-59
SERVO SUPPLY	Servo pressure supply	60-71
CONTROL RAMP	Control ramp.....	72-73
ORIFICE	Orifice	74-91
MINIMUM DISPLACEMENT	Minimum displacement.....	92-93
PCOR ADJUSTER	PCOR adjuster.....	92-93
SERVICE BULLETINS	SB-1993-006 (end cap gasket)	94
	SB-1995-013 (threshold adjustment screw)	95
	SB-1996-005 (end cap and valve segment)	96-97
	SB-1997-009 (servo piston seal ring).....	98
	SB-1997-030 (valve segment)	99
	SB-1998-035 (incorporate speed sensor in cartridge motors).....	100
	SB-1998-086 (gasket to O-ring at housing interface	101
	SB-1999-059 (thread change on DIN shaft assemblies)	102
	SB-2000-044 (loop flushing spring and spring seat change)	103
	SB-2001-015 (synch shaft kit).....	104
	SB-2002-001 (end cap/control interface seal).....	105-106
	SB-2003-007 (piston rings).....	107

**SERVICE PARTS
 IDENTIFICATION**

Use this information and procedure to identify the module group, item number, manufacture date, part number, and part name of the parts included in the Series 51: 80cc variable displacement motor. Use the parts listed when performing minor repairs, major repairs, or conversions on Series 51: 80 cc motors. Refer to BLN-10043 Service Manual when doing this.

NAMEPLATE

Each unit has a nameplate affixed to its housing. The nameplate includes this information:

Model Code

The Sauer-Danfoss model code defines the specific unit. Use it when ordering parts to service this product.

Model Number

The manufacturing factory uses Sauer-Danfoss' model number. On repeat orders, order a complete unit by the model number.

Serial Number

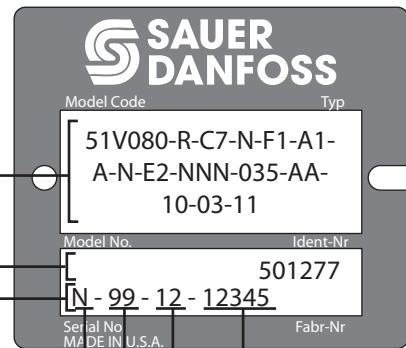
The Sauer-Danfoss serial number identifies the manufacture date and unit sequence in the build. The serial number also identifies the unit's warranty time period.

The letter code indicates the location of original manufacture (assembly). **N** indicates the unit was originally assembled in Neumunster, Germany.

The first number (2 digits) indicates the year of manufacture. (**99** would indicate the unit was manufactured in 1999).

The second number (2 digits) indicates the calendar week of manufacture.

The third number (5 digits) is a sequential number used to identify a specific unit.



DATE CODE

The date code is the year and week of manufacture. The same item number may list more than one part number. This indicates that there is more than one configuration for that item number. You will see that there are different date codes for different part numbers. Find the date code of your unit on the nameplate to determine the service part number you need to order.

EXAMPLE: The service part desired is Item L35.

Order code	Item	Date begin	Date end	Part number	Part name	Qty. per model/kit
V	L35	00-25		515752	Bearing housing (SB-2000-049)	1
	L35	92-33	00-24	743831	Bearing housing	1

All units using this order code with a date code of 92-33, up to and including 00-24, must use part number 743831. All units with a date code of 00-25, and newer, must use part number 515752..

SERVICE BULLETINS

A Service Bulletin Number (SB-____-____) may follow the part name of the part you desire. Read that Service Bulletin before ordering that part. The information contained in these Service Bulletins, as of the print date, are at the end of this manual. Service Bulletins contain more detailed information such as interchangeability, what additional parts are involved, and so forth. We suggest that you add additional Service Bulletins to this manual as you receive them.

**PROCEDURE TO IDENTIFY
A PART****General**

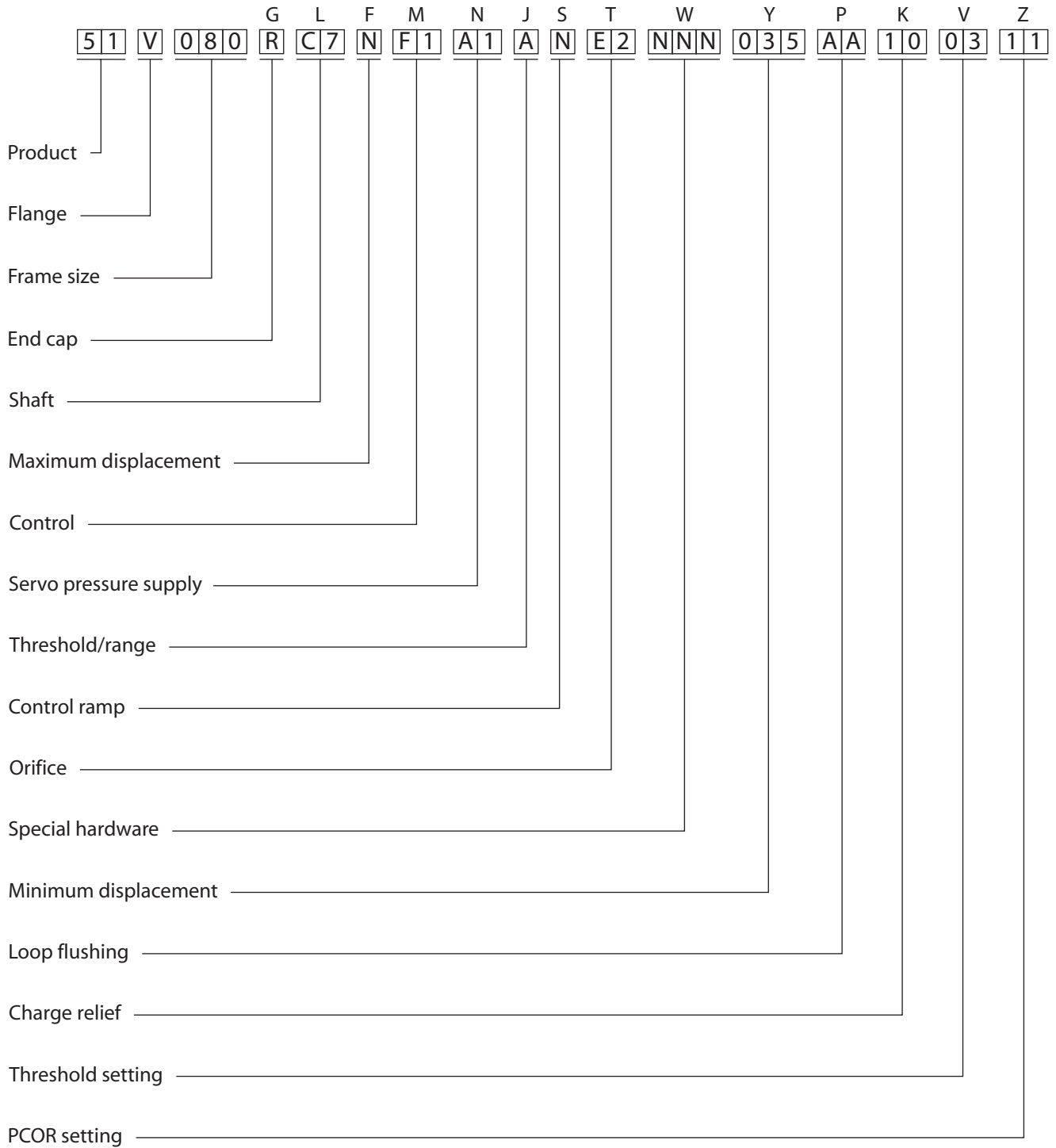
The modular design of Series 51 units results in a simplified service parts list and part number identification procedure. The same item numbers are used for same part names on all units within a product type. (Example: The lip seal, Item L40, has the same item number on all motors.)

A part number that has another number following in parentheses makes this a world-wide manual. The first number is sold in Germany. The number in parentheses is sold in the United States. (Example: 001289 (9004800-3708); customers order 9004800-3708 if ordering the part in the United States.)

Example of a part identification

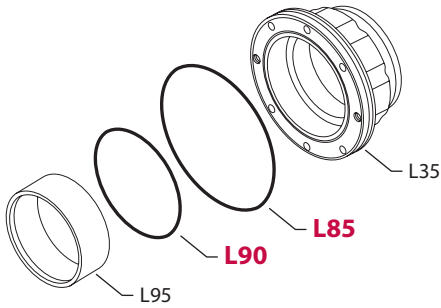
The nameplate on a Series 51 motor has an Order Code of 51V080 R C7 N F1 A1 A N E2 NNN 035 AA 10 03 11. Do this to determine the part number of the drive shaft used on this motor:

- 1) Referring to the shaft module in the Order Code (see page 7), the shaft option for this motor is identified by the code **C7** (51V080 R **C7** N F1 A1 A N E2 NNN 035 AA 10 03 11)
- 2) Referring to the Service Parts List, find the shaft group.
- 3) Find the order code that relates to this unit, which is **C7**.
- 4) The shaft is Item L1.
- 5) The part number 725017.

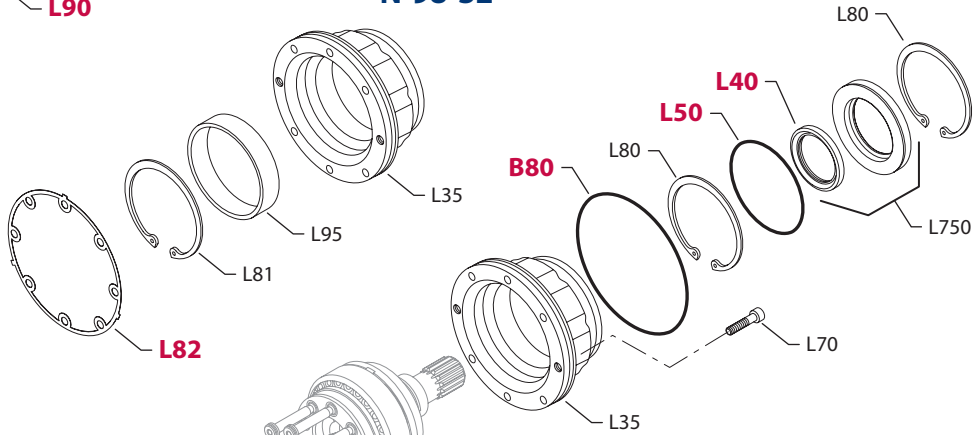


P100 536E

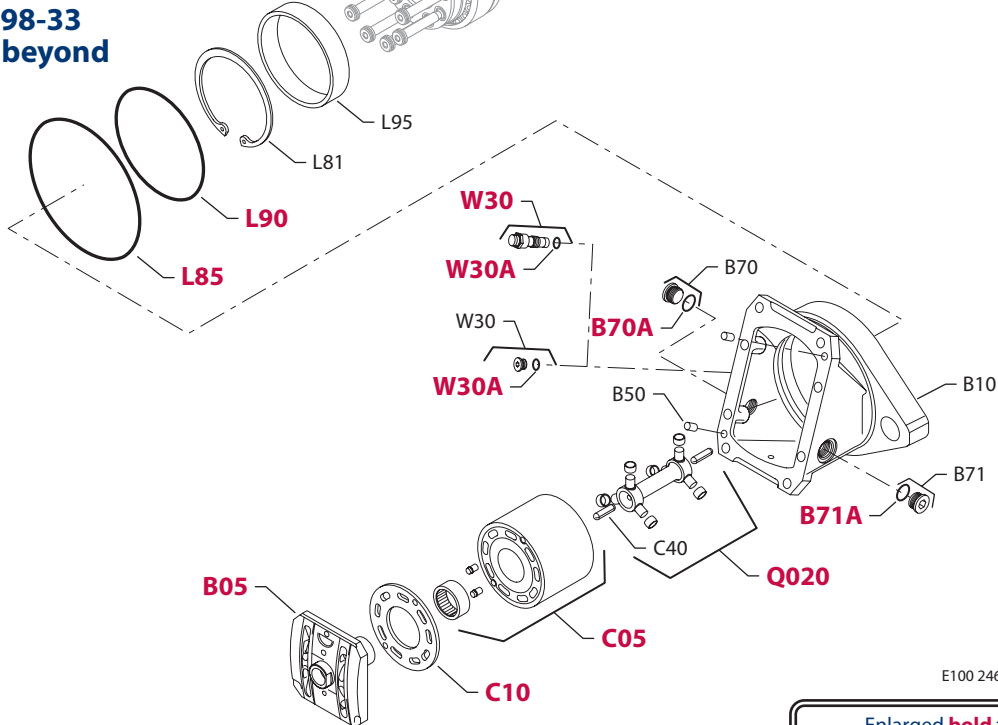
Prior to
N-94-42



N-94-42
thru
N-98-32



N-98-33
and beyond



E100 246E

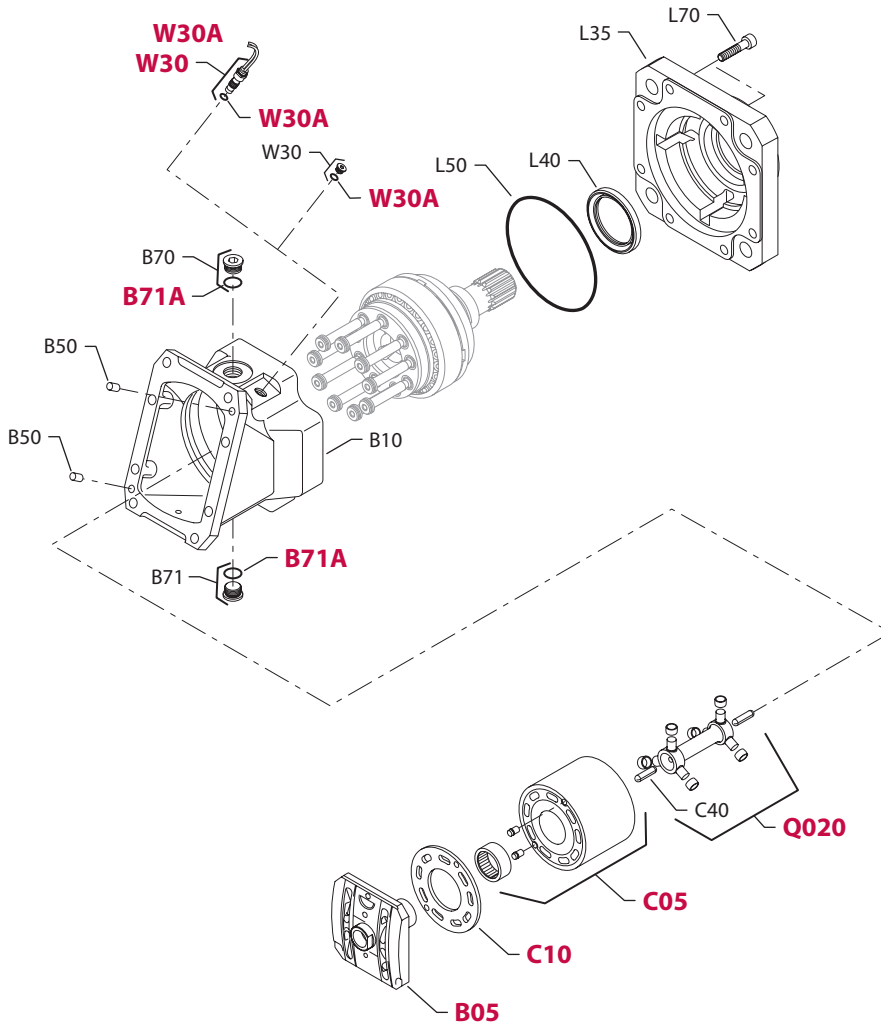
Enlarged **bold** type item numbers are recommended part to stock for servicing.

COMMON PARTS

Order code	Item	Date begin	Date end	Part number	Part name	Qty. per model/kit
C	B05	92-33		508198	Valve segment (SB-1996-005 & SB-1997-030)	1
	B10	98-33		512677	Housing with speed sensor port (SB-1998-086)	1
	"	94-42	98-32	501104	Housing with speed sensor port	1
	B50	92-33		001289 (9004800-3708)	Pin	2
	B70	92-33		664524 (9005110-9000)	Plug	1
	B70A	92-33		001156 (9004201-7500)	O-ring	1
	B71	92-33		664524 (9005110-9000)	Plug	1
	B71A	92-33		001156 (9004201-7500)	O-ring	1
	B80	92-33		502205	O-ring	1
	C05	92-33		360362	Cylinder block assembly	1
	C10	92-33		515367	Bearing plate	1
	C40	92-33		341602	Support pin	2
	L35	98-33		512679	Bearing housing (SB-1998-086)	1
	"	94-42	98-32	501109	Bearing housing (SB-1998-035)	1
	L40	92-33		673525 (9008000-0114)	Lip seal	1
	L50	92-33		501879	O-ring	1
	L70	92-33		710855	Screw	8
	L80	92-33		392456	Retaining ring	2
	L81	94-42		371625	Retaining ring (SB-1998-035)	1
	L82	94-42	98-32	507259	Gasket	1
	L85	98-33		502205	O-ring (SB-1998-086)	1
	"	92-33	94-41	916759	O-ring (SB-1998-035)	1
	L90	98-33		512678	O-ring (SB-1998-086)	1
	"	92-33	94-41	279570	O-ring (SB-1998-035)	1
	L95	94-42		501117	Distance ring (SB-1998-086)	1
	"	92-33	94-41	734913	Distance ring (SB-1998-035)	1
	L750	92-33		510482	Seal carrier assembly	1
	Q020	92-33		517309	Synch shaft kit (SB-2001-015)	1

SPECIAL HARDWARE

ABA	W30	92-33		515965 (9005110-5600)	Plug	1
	W30A	92-33		085043 (9004201-3700)	O-ring	1
ACA	W30	95-33		512661 (KPPG23408)	Speed sensor	1
	W30A	95-33		085043 (9004201-3700)	O-ring	1
ACB & ACE	W30	95-40		512663 (KPPG26408)	Speed sensor	1
	W30A	95-40		085043 (9004201-3700)	O-ring	1
ADA	W30	95-40		512667 (KPPG256)	Speed sensor	1
	W30A	95-40		085043 (9004201-3700)	O-ring	1
ANA	W30	95-40		512671 (KPPG23703)	Speed sensor	1
	W30A	95-40		085043 (9004201-3700)	O-ring	1
DDD & NNN	W30	92-33		515965 (9005110-5600)	Plug	1
	W30A	92-33		085043 (9004201-3700)	O-ring	1



E100 660E

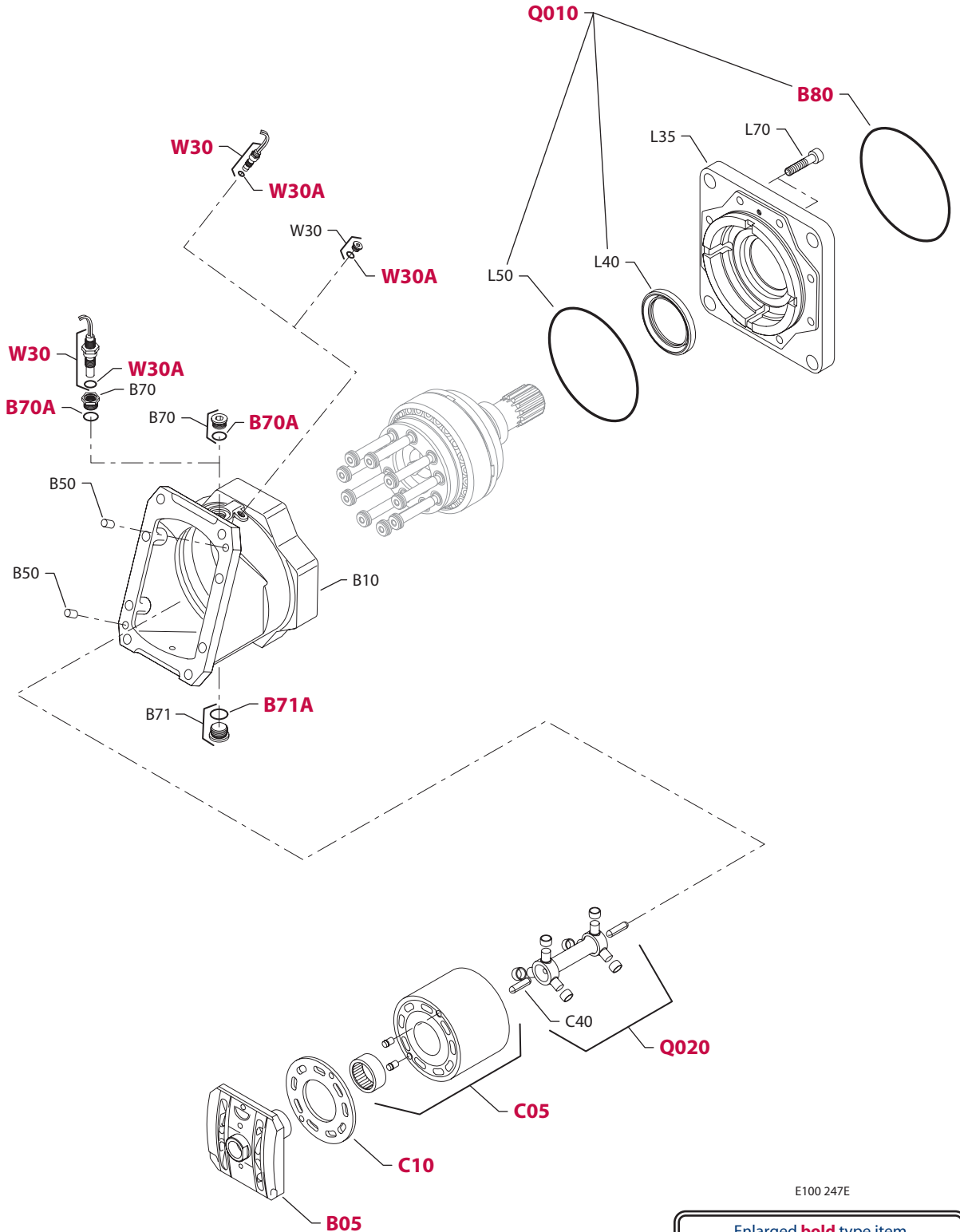
Enlarged **bold** type item numbers are recommended part to stock for servicing.

COMMON PARTS

Order code	Item	Date begin	Date end	Part number	Part name	Qty. per model/kit
D	B05	92-01		508198	Valve segment (SB-1996-005 & SB-1997-030)	1
	B50	92-01		001289 (9004800-3708)	Pin	2
	C05	92-01		360362	Cylinder block assembly	1
	C10	92-01		515367	Bearing plate	1
	C40	92-01		341602	Support pin	2
	L35	92-01		776039	Bearing housing	1
	L40	92-01		673525 (9008000-0114)	Lip seal	1
	L50	92-01		767962	O-ring	1
	L70	92-01		506969	Screw	8
	Q020	92-01		517309	Synch shaft kit (SB-2001-015)	1

SPECIAL HARDWARE

AAA	B10	92-01		503134	Housing	1
	B70	92-01		664524 (9005110-9000)	Plug	1
	B70A	92-01		001156 (9004201-7500)	O-ring	1
AAB	B10	92-01		503134	Housing	1
	B71	92-01		664524 (9005110-9000)	Plug	1
	B71A	92-01		001156 (9004201-7500)	O-ring	1
ABA	B10	92-01		504586	Housing with speed sensor port	1
	B70	92-01		664524 (9005110-9000)	Plug	1
	B70A	92-01		001156 (9004201-7500)	O-ring	1
	B71	92-01		664524 (9005110-9000)	Plug	1
	B71A	92-01		001156 (9004201-7500)	O-ring	1
	W30	92-01		515965 (9005110-5600)	Plug	1
	W30A	92-01		085043 (9004201-3700)	O-ring	1
NNN	B10	92-01		776039	Housing without speed sensor port	1
	B70	92-01		664524 (9005110-9000)	Plug	1
	B70A	92-01		001156 (9004201-7500)	O-ring	1
	B71	92-01		664524 (9005110-9000)	Plug	1
	B71A	92-01		001156 (9004201-7500)	O-ring	1



E100 247E

Enlarged **bold** type item numbers are recommended part to stock for servicing.

COMMON PARTS

Order code	Item	Date begin	Date end	Part number	Part name	Qty. per model/kit
V	B05	92-33		508198	Valve segment (SB-1996-005 & SB-1997-030)	1
	B50	92-33		001289 (9004800-3708)	Pin	2
	B70A	92-33		001156 (9004201-7500)	O-ring	1
	B71	92-33		664524 (9005110-9000)	Plug	1
	B71A	92-33		001156 (9004201-7500)	O-ring	1
	B80	92-33		930511	O-ring	1
	C05	92-33		360362	Cylinder block assembly	1
	C10	92-33		515367	Bearing plate	1
	C40	92-33		341602	Support pin	2
	L40	92-33		673525 (9008000-0114)	Lip seal	1
	L50	92-33		930511	O-ring	1
	L70	92-33		746594	Screw	8
	Q010	92-33		771055	Shaft seal kit	1
	Q020	92-33		517309	Synch shaft kit (SB-2001-015)	1

SPECIAL HARDWARE

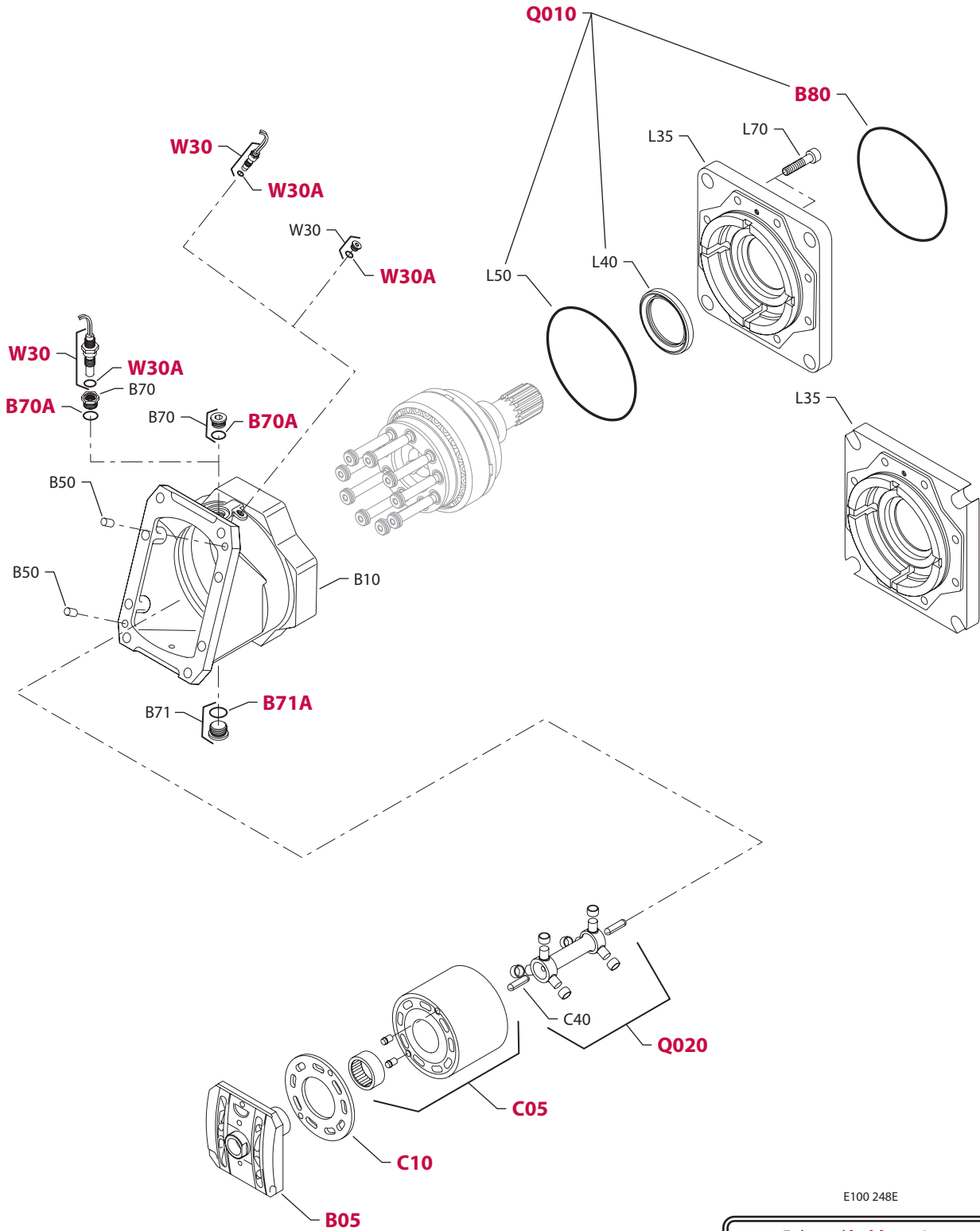
AAA	B10	93-35		504584	Housing with speed sensor port	1
	B70	95-51		664524 (9005110-9000)	Plug	1
	"	93-35	95-50	774885	Adapter plug	1
	L35	93-35		754895	Bearing housing	1
	W30	93-35		512659 (KPPG12508)	Speed sensor	1
	W30A	93-35		085043 (9004201-3700)	O-ring	1

ABA	B10	93-35		504584	Housing with speed sensor port	1
	B70	93-35		664524 (9005110-9000)	Plug	1
	L35	93-35		754895	Bearing housing	1
	W30	95-51		515965 (9005110-5600)	Plug	1
	W30A	95-51		085043 (9004201-3700)	O-ring	1

ACA	B10	94-04		504584	Housing with speed sensor port	1
	B70	95-51		664524 (9005110-9000)	Plug	1
	"	94-04	95-50	774885	Adapter plug	1
	L35	94-04		754895	Bearing housing	1
	W30	94-04		512660 (KPPG13408)	Speed sensor	1
	W30A	94-04		085043 (9004201-3700)	O-ring	1

ACB	B10	96-41		504584	Housing with speed sensor port	1
	B70	96-41		664524 (9005110-9000)	Plug	1
	L35	96-41		754895	Bearing housing	1
	W30	96-41		512662 (KPPG16408)	Speed sensor	1
	W30A	96-41		085043 (9004201-3700)	O-ring	1

ACC	B10	95-24		504584	Housing with speed sensor port	1
	B70	95-51		664524 (9005110-9000)	Plug	1
	"	95-24	95-50	774885	Adapter plug	1
	L35	95-24		754895	Bearing housing	1
	W30	95-24		512664 (KPPG13436)	Speed sensor	1
	W30A	95-24		085043 (9004201-3700)	O-ring	1



E100 248E

Enlarged **bold** type item numbers are recommended part to stock for servicing.

COMMON PARTS

Order code	Item	Date begin	Date end	Part number	Part name	Qty. per model/kit
V	B05	92-33		508198	Valve segment (SB-1996-005 & SB-1997-030)	1
	B50	92-33		001289 (9004800-3708)	Pin	2
	B70A	92-33		001156 (9004201-7500)	O-ring	1
	B71	92-33		664524 (9005110-9000)	Plug	1
	B71A	92-33		001156 (9004201-7500)	O-ring	1
	B80	92-33		930511	O-ring	1
	C05	92-33		360362	Cylinder block assembly	1
	C10	92-33		515367	Bearing plate	1
	C40	92-33		341602	Support pin	2
	L40	92-33		673525 (9008000-0114)	Lip seal	1
	L50	92-33		930511	O-ring	1
	L70	92-33		746594	Screw	8
	Q010	92-33		771055	Shaft seal kit	1
	Q020	92-33		517309	Synch shaft kit (SB-2001-015)	1

SPECIAL HARDWARE

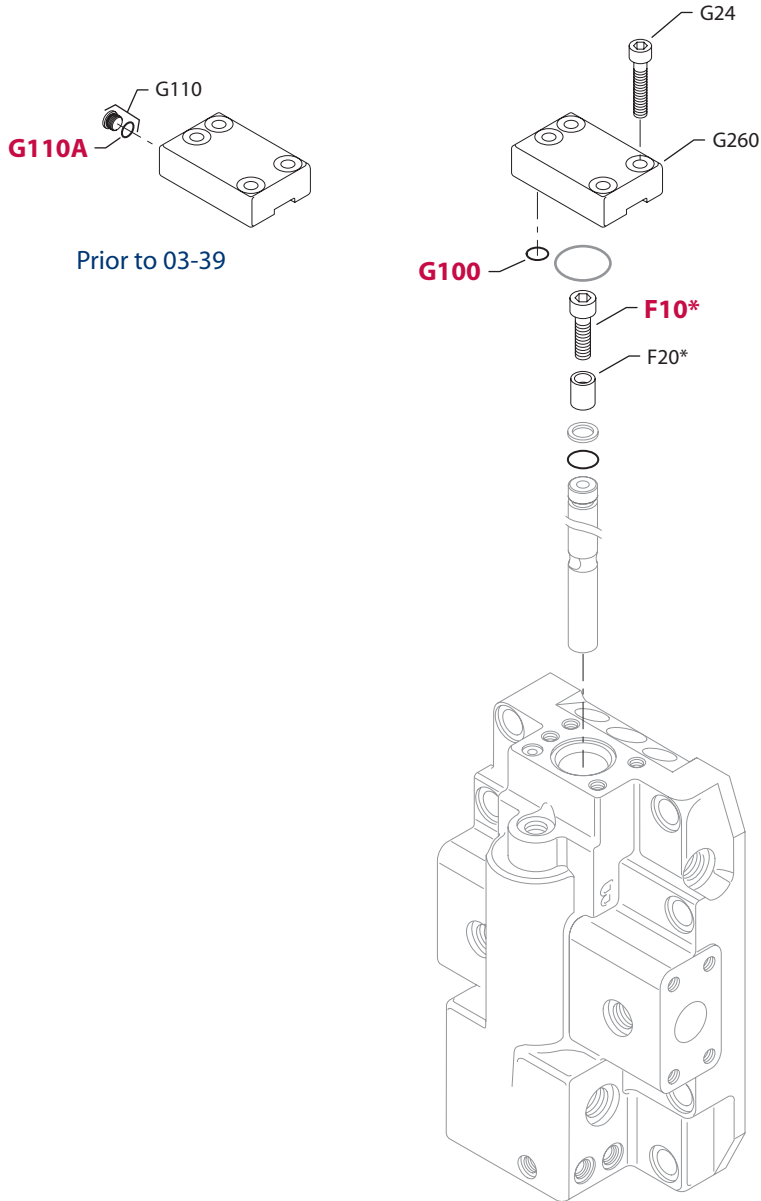
ADA	B10	94-33		504584	Housing with speed sensor port	1
	B70	95-51		664524 (9005110-9000)	Plug	1
	"	94-33	95-50	774885	Adapter plug	1
	L35	94-33		754895	Bearing housing	1
	W30	94-33		512666 (KPPG156)	Speed sensor	1
	W30A	94-33		085043 (9004201-3700)	O-ring	1

AFB	B10	95-39		504584	Housing with speed sensor port	1
	L35	95-39		764076	Bearing housing	1
	W30	95-39		515965 (9005110-5600)	Plug	1
	W30A	95-39		085043 (9004201-3700)	O-ring	1

DAA	B10	99-04		504584	Housing with speed sensor port	1
	B70	99-04		664524 (9005110-9000)	Plug	1
	L35	99-04		754895	Bearing housing	1
	W30	99-04		512660 (KPPG13408)	Speed sensor	1
	W30A	99-04		085043 (9004201-3700)	O-ring	1

FAA	B10	95-35		504584	Housing with speed sensor port	1
	B70	95-35		664524 (9005110-9000)	Plug	1
	L35	95-35		764076	Bearing housing	1
	W30	95-35		512662 (KPPG16408)	Speed sensor	1
	W30A	95-35		085043 (9004201-3700)	O-ring	1

NNN	B10	91-12		504584	Housing with speed sensor port	1
	B70	91-12		664524 (9005110-9000)	Plug	1
	L35	91-38		754895	Bearing housing	1
	W30	91-12		515965 (9005110-5600)	Plug	1
	W30A	91-12		085043 (9004201-3700)	O-ring	1



E100 272E

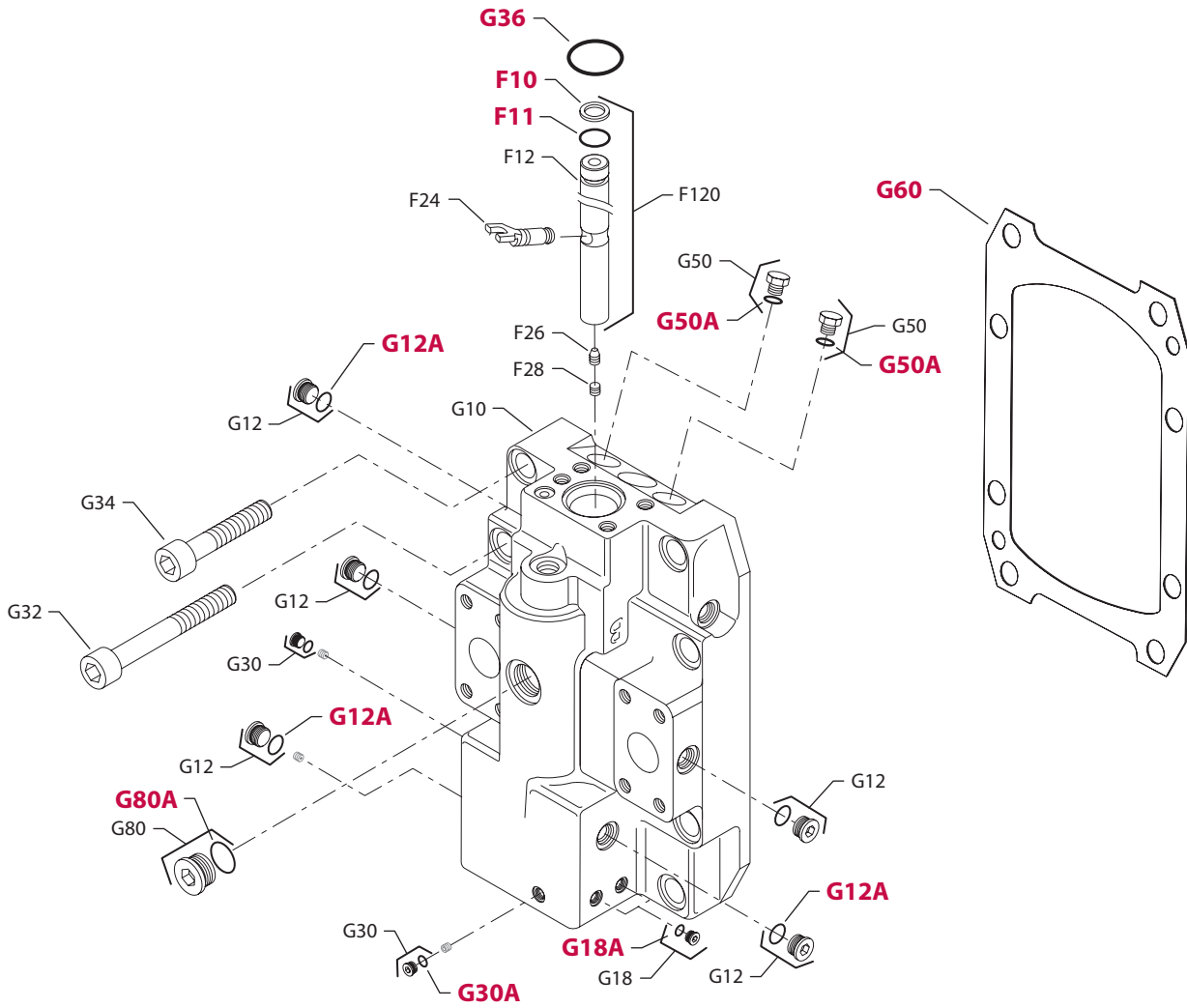
Enlarged **bold** type item numbers are recommended part to stock for servicing.

MAXIMUM DISPLACEMENT COMMON PARTS

Order code	Item	Date begin	Date end	Part number	Part name	Qty. per model/kit
	G24	91-12		727586 (9007314-1008)	Screw	4
	G100	91-12		792739	O-ring	1
	G110	91-12	03-38	504519	Plug	1
	G110A	91-12	03-38	039297 (9004201-1200)	O-ring	1
	G26	91-12		518996	Cover	1

MAXIMUM DISPLACEMENT

A	F10A	92-10		393694	Screw, M10 x 25 mm	1
	F20A	92-10		653980	Spacer, 4.0 mm	1
B	F10B	92-48		393694	Screw, M10 x 25 mm	1
	F20B	92-48		788620	Spacer, 7.5 mm	1
C	F10C	91-12		393702	Screw, M10 x 30 mm	1
	F20C	91-12		307744	Spacer, 11.0 mm	1
D	F10D	94-04		396077	Screw, M10 x 35 mm	1
	F20D	94-04		643098	Spacer, 14.0 mm	1
E	F10E	94-47		732982	Screw, M10 x 40 mm	1
	F20E	94-47		306159	Spacer, 18.0 mm	1
G	F10G	92-10		732982	Screw, M10 x 40 mm	1
	F20G	92-10		339275	Spacer, 24.5 mm	1
N	F10N	91-12		393686	Screw, M10 x 20 mm	1

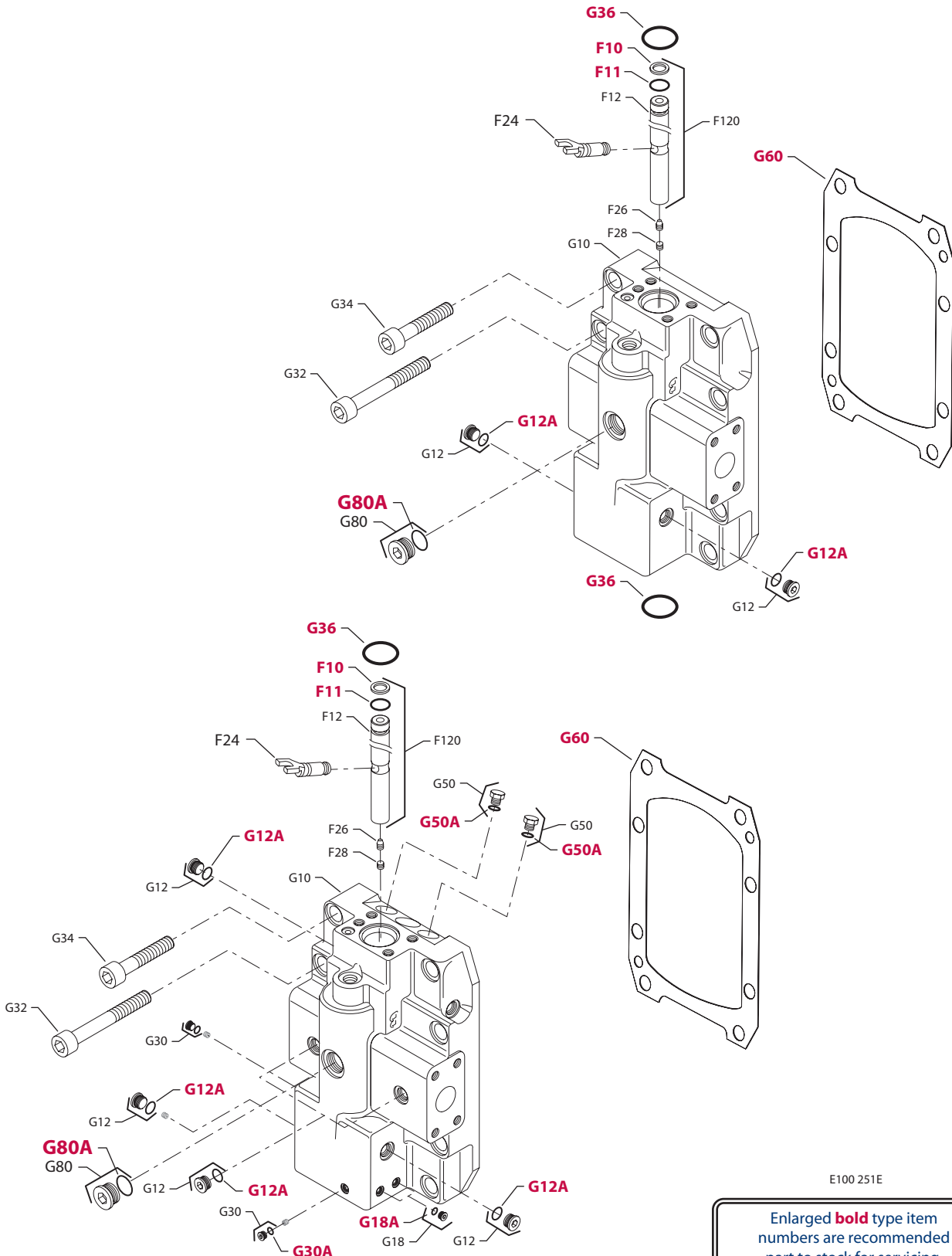


E100 250E

Enlarged **bold** type item numbers are recommended part to stock for servicing.

AXIAL PORTS

Order code	Item	Date begin	Date end	Part number	Part name	Qty. per model/kit
A	F10	91-12		508132	Servo piston seal ring (SB-1997-009)	1
	F11	91-12		504206	O-ring	1
	F24	91-12		510850	Feedback lever	1
	F26	91-12		396879	Set screw	1
	F28	91-12		042465	Set screw	1
	F120	91-12		510075	Servo piston assembly	1
	G10	91-12		515696	End cap, axial ports (SB-1996-005, SB-2002-001)	1
	G12	95-13		515965 (9005110-5600)	Plug	5
	"	91-12	95-12	515965 (9005110-5600)	Plug	7
	G12A	95-13		085043 (9004201-3700)	O-ring	5
	"	91-12	95-12	085043 (9004201-3700)	O-ring	7
	G18	95-13		504519	Plug	2
	"	91-12	95-12	092114 (9007712-0604)	Set screw	2
	G18A	95-13		039297 (9004201-1200)	O-ring	2
	G30	91-12		504519	Plug	2
	G30A	91-12		039297 (9004201-1200)	O-ring	2
	G32	91-12		672303	Screw	4
	G34	91-12		680686	Screw	4
	G36	91-12		364968	O-ring	1
	G50	91-12		001511 (9005100-4400)	Plug	2
	G50A	91-12		001123 (9004201-2500)	O-ring	2
	G60	91-12		501199	End cap gasket (SB-1993-006)	1
	G80	91-12		664524 (9005110-9000)	Plug	1
	G80A	91-12		001156 (9004201-7500)	O-ring	1

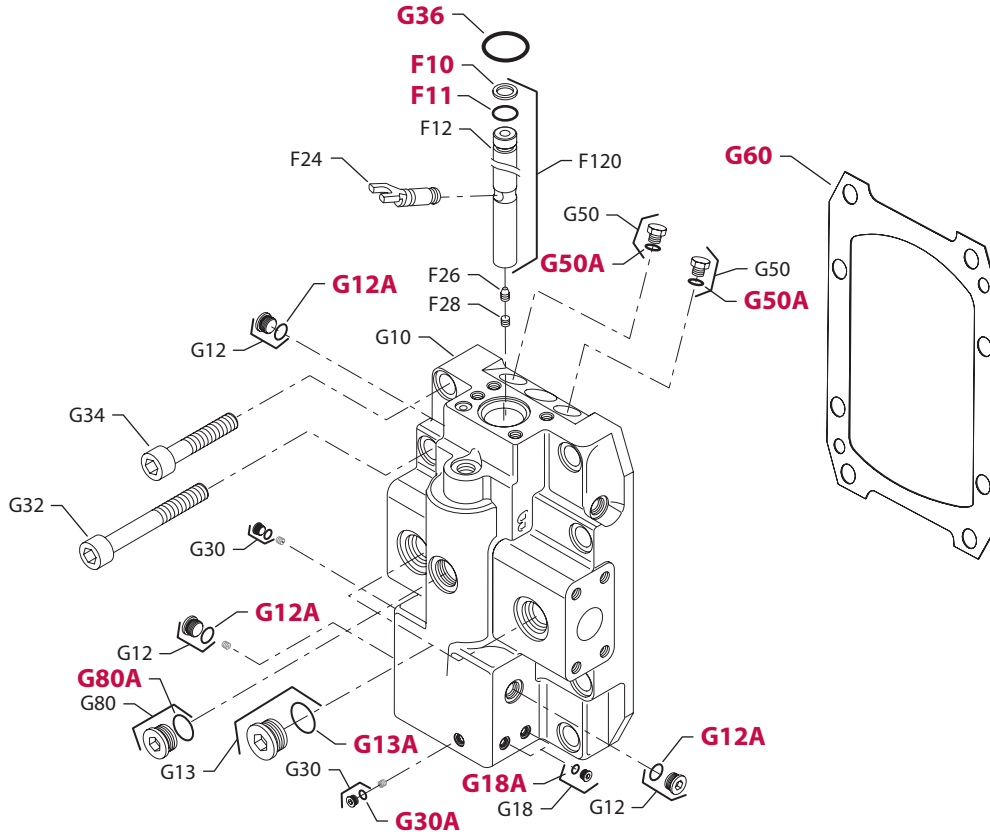


E100 251E

Enlarged **bold** type item numbers are recommended part to stock for servicing.

SIDE PORTS

Order code	Item	Date begin	Date end	Part number	Part name	Qty. per model/kit	
G	F10	96-02		508132	Servo piston seal ring (SB-1997-009)	1	
	F11	96-02		504206	O-ring	1	
	F24	96-02		510850	Feedback lever	1	
	F26	96-02		396879	Set screw	1	
	F28	96-02		042465	Set screw	1	
	F120	96-02		510075	Servo piston assembly	1	
	G10	96-02		508160	End cap, side ports	1	
	G12	96-02		515965 (9005110-5600)	Plug	2	
	G12A	96-02		085043 (9004201-3700)	O-ring	2	
	G32	96-02		672303	Screw	4	
	G34	96-02		680686	Screw	4	
	G36	96-02		364968	O-ring	2	
	G60	96-02		501199	End cap gasket (SB-1993-006)	1	
	G80	96-02		664524 (9005110-9000)	Plug	1	
	G80A	96-02		001156 (9004201-7500)	O-ring	1	
	R	F10	91-26		508132	Servo piston seal ring (SB-1997-009)	1
		F11	91-26		504206	O-ring	1
F24		91-26		510850	Feedback lever	1	
F26		91-26		396879	Set screw	1	
F28		91-26		042465	Set screw	1	
F120		91-26		510075	Servo piston assembly	1	
G10		91-26		516056	End cap, side ports (SB-1996-005, SB-2002-001)	1	
G12		95-07		515965 (9005110-5600)	Plug	5	
"		91-26	95-06	515965 (9005110-5600)	Plug	7	
G12A		95-07		085043 (9004201-3700)	O-ring	5	
"		91-26	95-06	085043 (9004201-3700)	O-ring	7	
G18		95-07		504519	Plug	2	
"		91-26	95-06	092114 (9007712-0604)	Set screw	2	
G18A		95-07		039297 (9004201-1200)	O-ring	2	
G30		91-26		504519	Plug	2	
G30A		91-26		039297 (9004201-1200)	O-ring	2	
G32		91-26		672303	Screw	4	
G34		91-26		680686	Screw	4	
G36		91-26		364968	O-ring	1	
G50		91-26		001511 (9005100-4400)	Plug	2	
G50A		91-26		001123 (9004201-2500)	O-ring	2	
G60		91-26		501199	End cap gasket (SB-1993-006)	1	
G80		91-26		664524 (9005110-9000)	Plug	1	
G80A		91-26		001156 (9004201-7500)	O-ring	1	

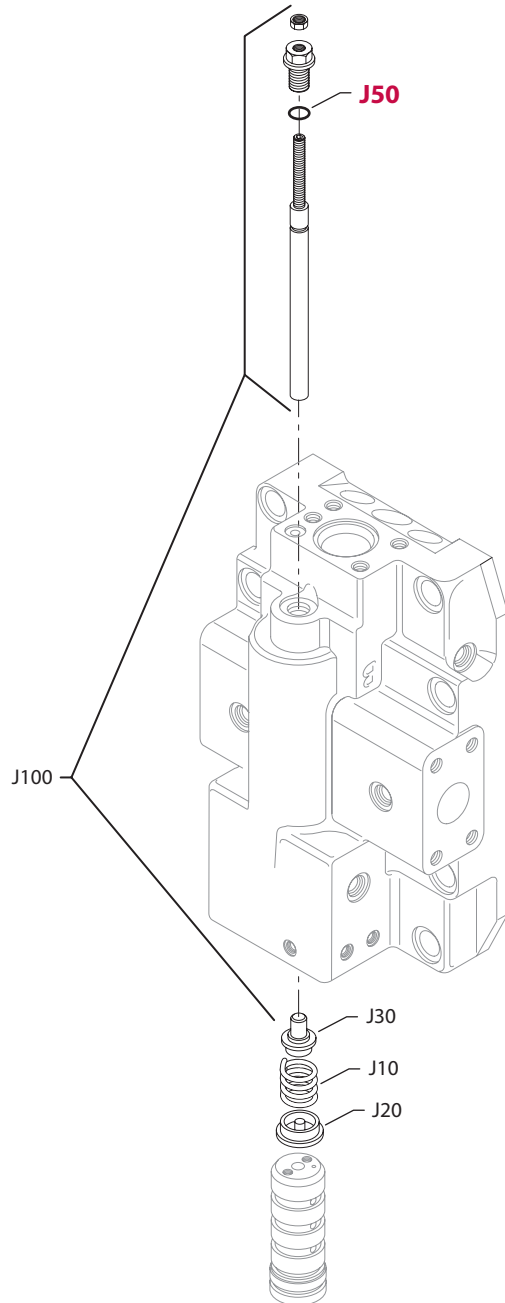


E100 253E

Enlarged **bold** type item numbers are recommended part to stock for servicing.

SIDE PORTS

Order code	Item	Date begin	Date end	Part number	Part name	Qty. per model/kit
W	F10	95-07		508132	Servo piston seal ring (SB-1997-009)	1
	F11	95-07		504206	O-ring	1
	F24	95-07		510850	Feedback lever	1
	F26	95-07		396879	Set screw	1
	F28	95-07		042465	Set screw	1
	F120	95-07		510075	Servo piston assembly	1
	G10	95-07		519578	End cap, metric side ports	1
	G12	95-07		515965 (9005110-5600)	Plug	3
	G12A	95-07		085043 (9004201-3700)	O-ring	3
	G13	95-07		515965 (9005110-5600)	Plug	2
	G13A	95-07		085043 (9004201-3700)	O-ring	2
	G18	95-07		504519	Plug	2
	G18A	95-07		039297 (9004201-1200)	O-ring	2
	G30	95-07		504519	Plug	2
	G30A	95-07		039297 (9004201-1200)	O-ring	2
	G32	95-07		672303	Screw	4
	G34	95-07		680686	Screw	4
	G36	95-07		364968	O-ring	1
	G50	95-07		001511 (9005100-4400)	Plug	2
	G50A	95-07		001123 (9004201-2500)	O-ring	2
	G60	95-07		501199	End cap gasket (SB-1993-006)	1
	G80	95-07		664524 (9005110-9000)	Plug	1
	G80A	95-07		001156 (9004201-7500)	O-ring	1

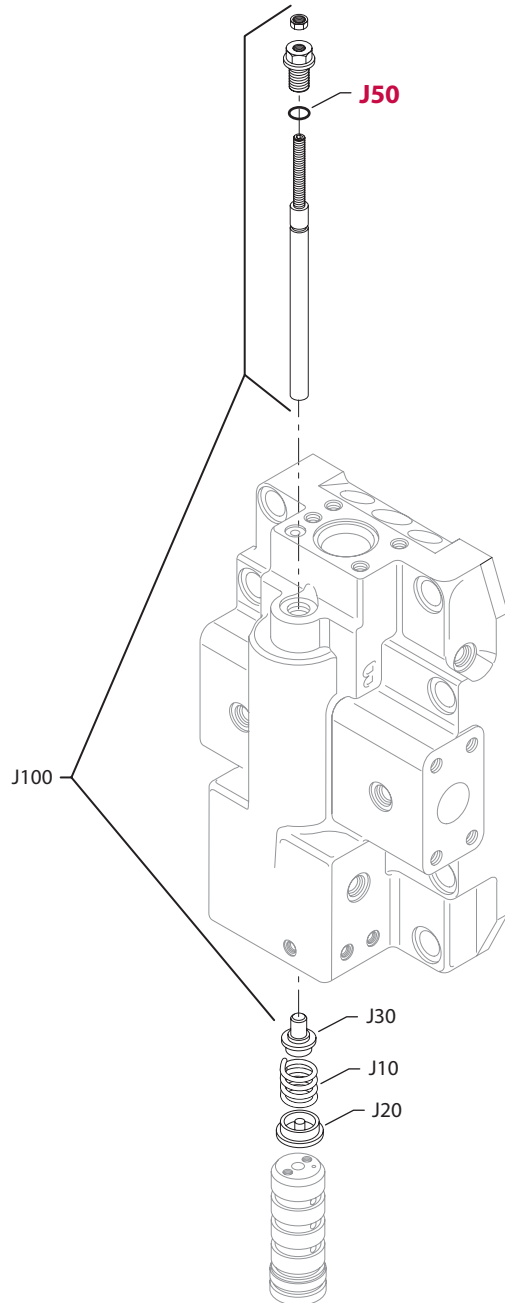


E100 299E

Enlarged **bold** type item numbers are recommended part to stock for servicing.

THRESHOLD/RANGE

Order code	Item	Date begin	Date end	Part number	Part name	Qty. per model/kit
A	J10	91-26		507638	Spring	1
2-5 bar	J20	93-34		501347	Spring seat	1
	"	91-26	93-33	722231	Spring seat - OBSOLETE	1
	J30	96-07		507670	Spring seat (SB-1995-013)	1
	J50	91-26		732479 (9004105-0100)	O-ring	1
	J100	91-26		507692	Threshold adjustment kit (SB-1995-013)	1
B	J10	91-26		722215	Spring	1
5-12 bar	J20	93-34		501347	Spring seat	1
	"	91-26	93-33	722231	Spring seat - OBSOLETE	1
	J30	96-07		507670	Spring seat (SB-1995-013)	1
	J50	91-26		732479 (9004105-0100)	O-ring	1
	J100	91-26		507692	Threshold adjustment kit (SB-1995-013)	1
C	J10	91-26		722207	Spring	1
12-50 bar	J20	93-34		501347	Spring seat	1
	"	91-26	93-33	722231	Spring seat - OBSOLETE	1
	J30	96-07		507670	Spring seat (SB-1995-013)	1
	J50	91-26		732479 (9004105-0100)	O-ring	1
	J100	91-26		507692	Threshold adjustment kit (SB-1995-013)	1
E	J10	92-14		729442	Spring	1
3-5 bar						
G	J10	91-26		722207	Spring	1
3-5 bar	J20	93-34		501347	Spring seat	1
	"	91-26	93-33	722231	Spring seat - OBSOLETE	1
	J30	96-07		507670	Spring seat (SB-1995-013)	1
	J50	91-26		732479 (9004105-0100)	O-ring	1
	J100	91-26		507692	Threshold adjustment kit (SB-1995-013)	1
H	J10	91-26		722207	Spring	1
5-8 bar	J20	93-34		501347	Spring seat	1
	"	91-26	93-33	722231	Spring seat - OBSOLETE	1
	J30	96-07		507670	Spring seat (SB-1995-013)	1
	J50	91-26		732479 (9004105-0100)	O-ring	1
	J100	91-26		507692	Threshold adjustment kit (SB-1995-013)	1
J	J10	91-26		722215	Spring	1
15-50 mA	J20	93-34		501347	Spring seat	1
	"	91-26	93-33	722231	Spring seat - OBSOLETE	1
	J30	96-07		507670	Spring seat (SB-1995-013)	1
	J50	91-26		732479 (9004105-0100)	O-ring	1
	J100	91-26		507692	Threshold adjustment kit (SB-1995-013)	1

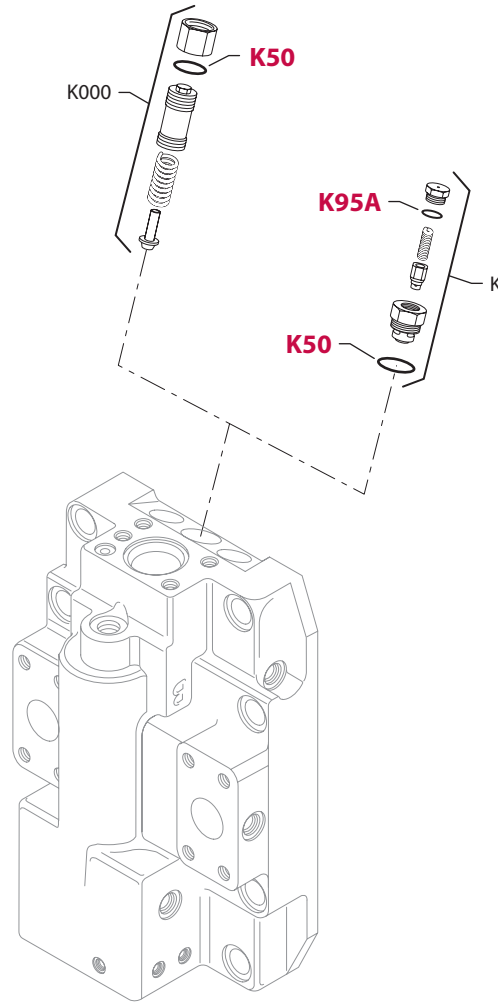


E100 299E

Enlarged **bold** type item numbers are recommended part to stock for servicing.

THRESHOLD/RANGE

Order code	Item	Date begin	Date end	Part number	Part name	Qty. per model/kit
K 50-85 mA	J10	91-26		722207	Spring	1
	J20	93-34		501347	Spring seat	1
	"	91-26	93-33	722231	Spring seat - OBSOLETE	1
	J30	96-07		507670	Spring seat (SB-1995-013)	1
	J50	91-26		732479 (9004105-0100)	O-ring	1
	J100	91-26		507692	Threshold adjustment kit (SB-1995-013)	1
L 110-370 bar	J10	95-15		722215	Spring	1
	J20	95-15		501347	Spring seat	1
	J30	96-07		507670	Spring seat (SB-1995-013)	1
	J50	95-15		732479 (9004105-0100)	O-ring	1
	J100	95-15		507692	Threshold adjustment kit (SB-1995-013)	1
	N				No parts	
P	J10	91-26		722215	Spring	1
	J20	91-26		501347	Spring seat	1
	J30	91-26		507670	Spring seat	1
	J50	91-26		732479 (9004105-0100)	O-ring	1
	J100	91-26		507692	Threshold adjustment kit	1
	R 320 mA	J10	99-35		507638	Spring
J20		99-35		501347	Spring seat	1
J30		99-35		507670	Spring seat	1
J50		99-35		732479 (9004105-0100)	O-ring	1
J100		99-35		507692	Threshold adjustment kit	1
S 640 mA		J10	99-35		507638	Spring
	J20	99-35		501347	Spring seat	1
	J30	99-35		507670	Spring seat	1
	J50	99-35		732479 (9004105-0100)	O-ring	1
	J100	99-35		507692	Threshold adjustment kit	1
	V 220 mA	J10	95-35		507638	Spring
J20		95-35		501347	Spring seat	1
J30		96-07		507670	Spring seat (SB-1995-013)	1
J50		95-35		732479 (9004105-0100)	O-ring	1
J100		95-35		507692	Threshold adjustment kit (SB-1995-013)	1
W 440 mA		J10	95-35		507638	Spring
	J20	95-35		501347	Spring seat	1
	J30	96-07		507670	Spring seat (SB-1995-013)	1
	J50	95-35		732479 (9004105-0100)	O-ring	1
	J100	95-35		507692	Threshold adjustment kit (SB-1995-013)	1

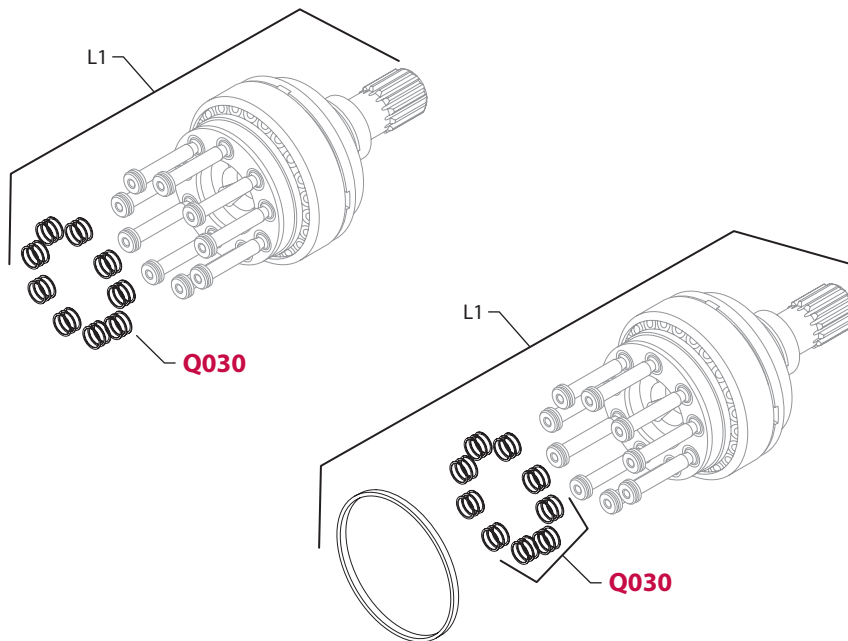
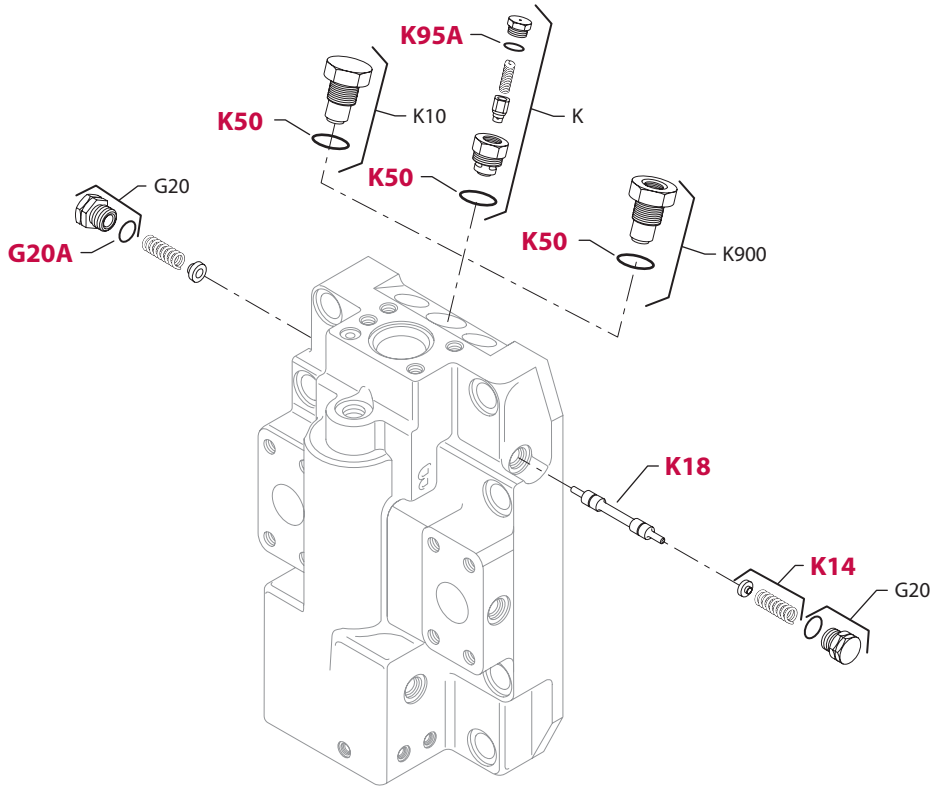


E100 300E

Enlarged **bold** type item numbers are recommended part to stock for servicing.

CHARGE RELIEF

Order code	Item	Date begin	Date end	Part number	Part name	Qty. per model/kit
00		92-33	01-18	None		
10-99	K000	92-33	01-17	8510012	Charge relief valve kit	1
	K50	92-33	01-17	001149 (9004201-6200)	O-ring	1
A0	K	97-25		8510253	Cartridge kit, 13 bar, 11 l/min	1
	K50	97-25		001149 (9004201-6200)	O-ring	1
	K95A	97-25		085043 (9004201-3700)	O-ring	1
A3	K	97-25		8510256	Cartridge kit, 13 bar, 16 l/min	1
	K50	97-25		001149 (9004201-6200)	O-ring	1
	K95A	97-25		085043 (9004201-3700)	O-ring	1
B0	K	97-25		8510254	Cartridge kit, 13 bar, 22 l/min	1
	K50	97-25		001149 (9004201-6200)	O-ring	1
	K95A	97-25		085043 (9004201-3700)	O-ring	1
B3	K	97-25		8510243	Cartridge kit, 13 bar, 27 l/min	1
	K50	97-25		001149 (9004201-6200)	O-ring	1
	K95A	97-25		085043 (9004201-3700)	O-ring	1
E4	K	97-25		8510261	Cartridge kit, 16 bar, 4 l/min	1
	K50	97-25		001149 (9004201-6200)	O-ring	1
	K95A	97-25		085043 (9004201-3700)	O-ring	1
E6	K	97-25		8510252	Cartridge kit, 16 bar, 7 l/min	1
	K50	97-25		001149 (9004201-6200)	O-ring	1
	K95A	97-25		085043 (9004201-3700)	O-ring	1
F0	K	97-25		8510259	Cartridge kit, 16 bar, 11 l/min	1
	K50	97-25		001149 (9004201-6200)	O-ring	1
	K95A	97-25		085043 (9004201-3700)	O-ring	1
F3	K	97-25		8510262	Cartridge kit, 16 bar, 16 l/min	1
	K50	97-25		001149 (9004201-6200)	O-ring	1
	K95A	97-25		085043 (9004201-3700)	O-ring	1
G0	K	97-25		8510260	Cartridge kit, 16 bar, 22 l/min	1
	K50	97-25		001149 (9004201-6200)	O-ring	1
	K95A	97-25		085043 (9004201-3700)	O-ring	1
G3	K	97-25		8510263	Cartridge kit, 16 bar, 27 l/min	1
	K50	97-25		001149 (9004201-6200)	O-ring	1
	K95A	97-25		085043 (9004201-3700)	O-ring	1



E100 256E

Enlarged **bold** type item numbers are recommended part to stock for servicing.

CHARGE RELIEF

Order code	Item	Date begin	Date end	Part number	Part name	Qty. per model/kit
J4	K900	02-13		518164	Adapter	1
	K50	02-13		001149 (9004201-6200)	O-ring	1
N4	K	97-25		8510255	Cartridge kit, 13 bar, 4 l/min	1
	K50	97-25		001149 (9004201-6200)	O-ring	1
	K95A	97-25		085043 (9004201-3700)	O-ring	1
N6	K	97-25		8510251	Cartridge kit, 13 bar, 7 l/min	1
	K50	97-25		001149 (9004201-6200)	O-ring	1
	K95A	97-25		085043 (9004201-3700)	O-ring	1
NN	K10	97-25		511826	Plug	1
	K50	97-25		001149 (9004201-6200)	O-ring	1

LOOP FLUSHING

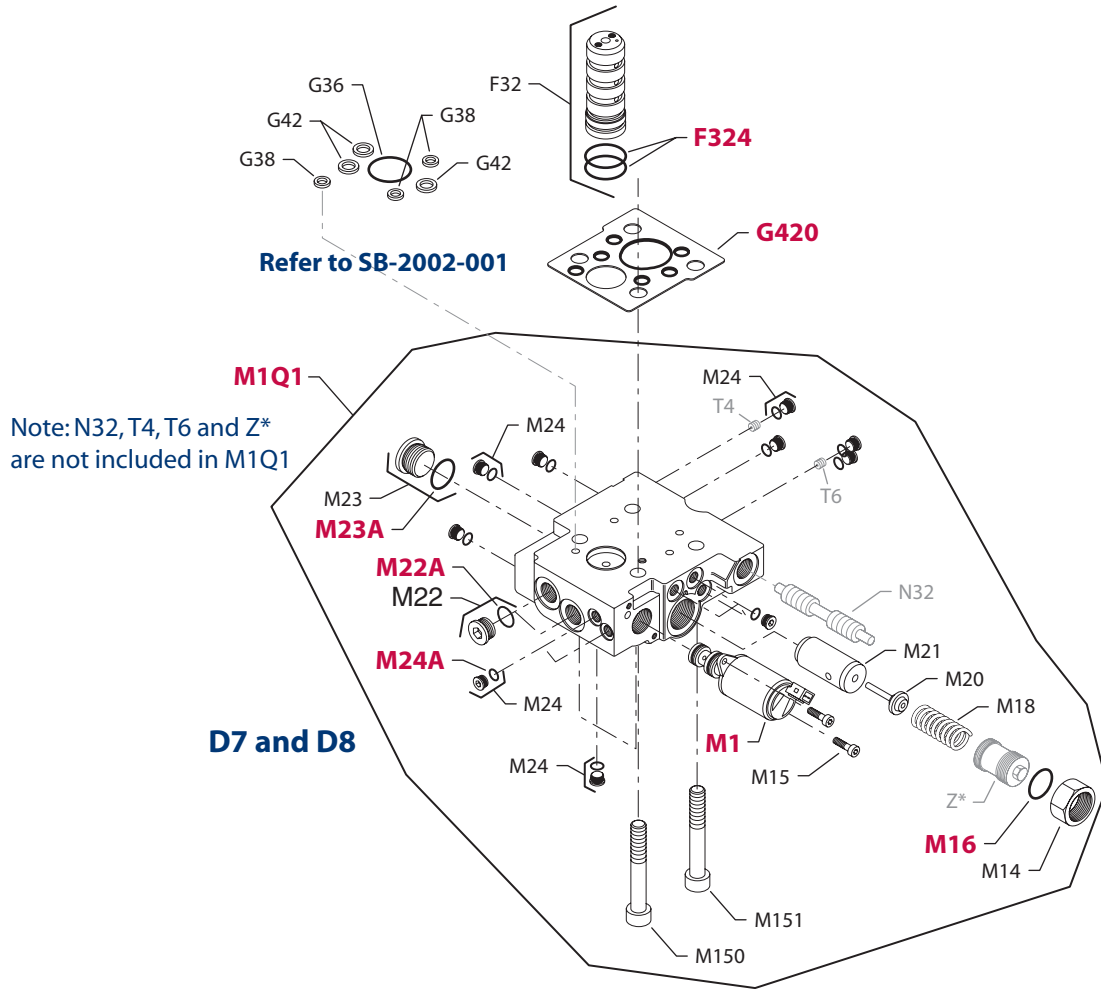
AA	G20	91-26		518016	Plug assembly	2
	G20A	91-26		085043 (9004201-3700)	O-ring	2
	K14	91-26		513596	Spring guide assembly (SB-2000-044)	2
	K18	91-26		367789	Shuttle spool	1
NN				No parts		

SHAFT COMMON PARTS

	Q030	03-48		516275	Piston ring kit (SB-2003-007)	1
	"	91-12	03-47	771162	Piston ring kit	1

SHAFT

C7	L1	91-12		722017	Shaft, 23 tooth spline without speed ring	1
D2	L1	91-12		513037	Shaft, 16 tooth without speed ring (SB-1999-059)	1
	"	91-12		513594	Shaft, 16 tooth spline with speed ring (SB-1999-059)	1
D3	L1	91-12		513035	Shaft, 18 t. spline without speed ring (SB-1999-059)	1
	"	91-12		513024	Shaft, 18 tooth spline with speed ring (SB-1999-059)	1
S1	L1	91-12		722058	Shaft, 14 tooth spline without speed ring	1
	"	91-12		507077	Shaft, 14 tooth spline with speed ring	1

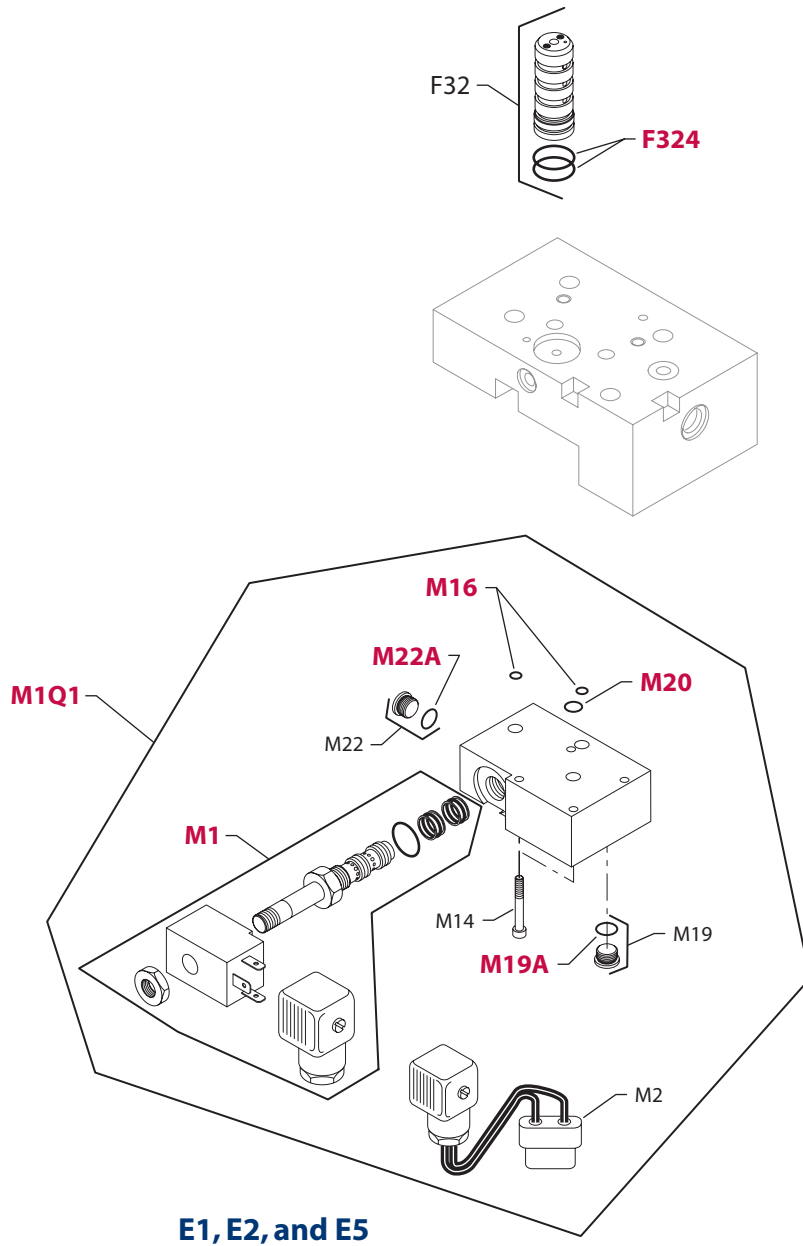


E100 655E

Enlarged **bold** type item numbers are recommended part to stock for servicing.

SOLENOID PROPORTIONAL

Order code	Item	Date begin	Date end	Part number	Part name	Qty. per model/kit
D7 & D8	F32	99-35		727115	4-way valve assembly	1
	F324	99-35		730036	O-ring	2
	G36	99-35	03-07	364968	O-ring (SB-2002-001) <i>not included in M1Q1</i>	1
	G38	99-35	03-07	792739	O-ring (SB-2002-001) <i>not included in M1Q1</i>	3
	G42	99-35	03-07	754580	O-ring (SB-2002-001) <i>not included in M1Q1</i>	3
	G420	03-08		511810	Gasket/O-ring seal (SB-2002-001) <i>not included in M1Q1</i>	1
(D7)	M1	99-35		518080	Solenoid valve, 12 volt, Jet connector	1
(D8)	M1	99-35		518081	Solenoid valve, 24 volt, Jet connector	1
(D7)	M1Q1	99-35		518257	Control kit, 12 volt, Jet connector	1
(D8)	M1Q1	99-35		518256	Control kit, 24 volt, Jet connector	1
	M14	99-35		342709	Nut	1
	M15	99-35		067694	Screw	2
	M16J	99-35		001149 (9004201-6200)	O-ring	1
	M18	99-35		509152	Spring	1
	M20	99-35		501876	PCOR spool	1
	M21	99-35		501885	PCOR valve bushing	1
	M22	99-35		515965 (9005110-5600)	Plug	2
	M22A	99-35		085043 (9004201-3700)	O-ring	2
	M23	99-35		315325	Plug	1
	M23A	99-35		001149 (9004201-6200)	O-ring	1
	M24	99-35		504519	Plug	15
	M24	99-35		039297 (9004201-1200)	O-ring	15
	M150	99-35		739664	Screw	2
	M151	99-35		680686	Screw	2

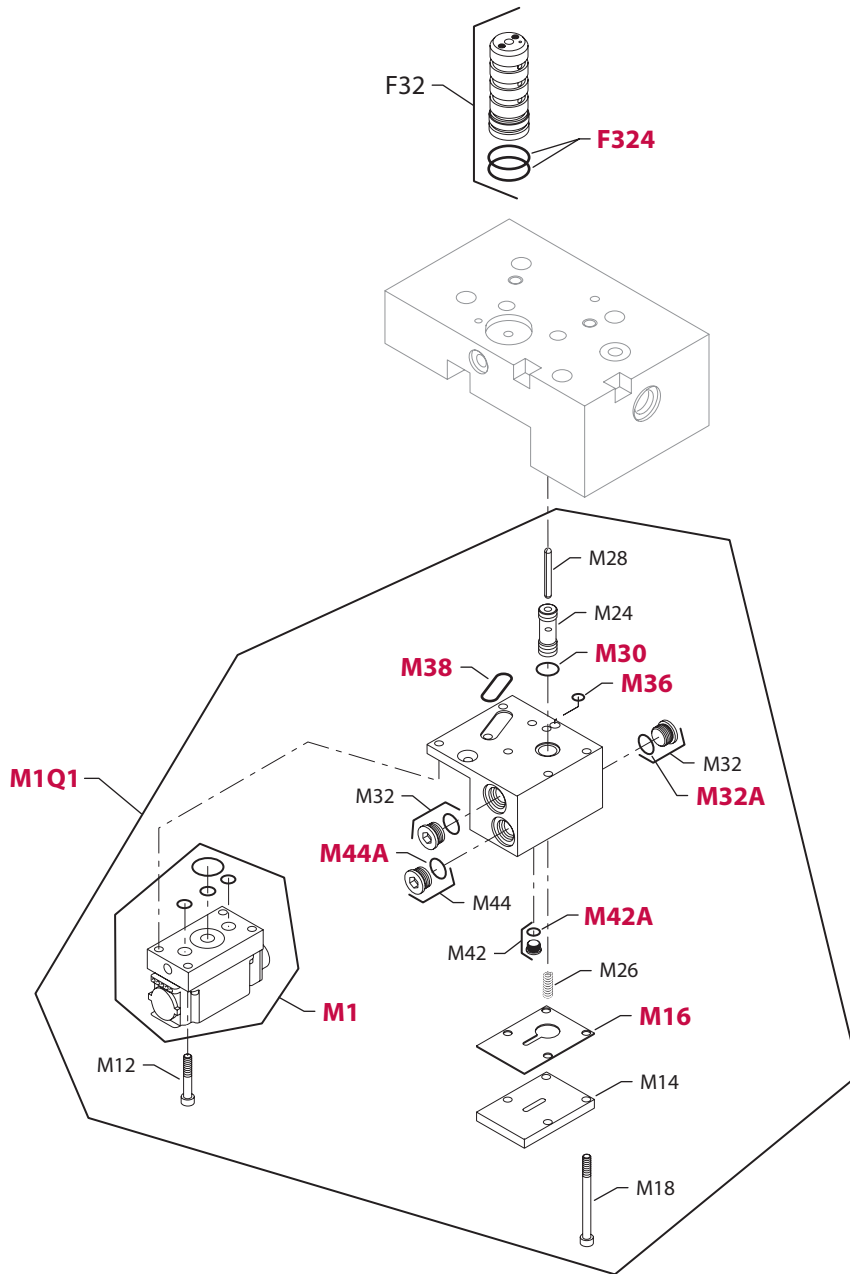


E100 257E

Enlarged **bold** type item numbers are recommended part to stock for servicing.

ELECTRIC 2-POSITION

Order code	Item	Date begin	Date end	Part number	Part name	Qty. per model/kit	
E1	F32	92-33		727115	4-way valve assembly	1	
	F324	92-33		730036	O-ring	2	
	M1	92-33		784942	Solenoid valve, 12 volt, Din connector	1	
	M1Q1	92-33		503618	Control kit, 12 volt, Din connector	1	
	M14	92-33		329599	Screw	4	
	M16	92-33		732479 (9004105-0100)	O-ring	2	
	M19	92-33		515965 (9005110-5600)	Plug	1	
	M19A	92-33		085043 (9004201-3700)	O-ring	1	
	M20	92-33		365015	O-ring	1	
	M22	92-33		515965 (9005110-5600)	Plug	1	
	M22A	92-33		085043 (9004201-3700)	O-ring	1	
	E2	F32	92-33		727115	4-way valve assembly	1
		F324	92-33		730036	O-ring	2
M1		92-33		784934	Solenoid valve, 24 volt, Din connector	1	
M1Q1		92-33		503617	Control kit, 24 volt, Din connector	1	
M14		92-33		329599	Screw	4	
M16		92-33		732479 (9004105-0100)	O-ring	2	
M19		92-33		515965 (9005110-5600)	Plug	1	
M19A		92-33		085043 (9004201-3700)	O-ring	1	
M20		92-33		365015	O-ring	1	
M22		92-33		515965 (9005110-5600)	Plug	1	
M22A		92-33		085043 (9004201-3700)	O-ring	1	
E5		F32	92-33		727115	4-way valve assembly	1
		F324	92-33		730036	O-ring	2
	M1	92-33		784942	Solenoid valve, 12 volt, Din connector	1	
	M2	92-33		770115	Packard adapter	1	
	M1Q1	92-33		503619	Control kit, 12 volt, with Packard adapter	1	
	M14	92-33		329599	Screw	4	
	M16	92-33		732479 (9004105-0100)	O-ring	2	
	M19	92-33		515965 (9005110-5600)	Plug	1	
	M19A	92-33		085043 (9004201-3700)	O-ring	1	
	M20	92-33		365015	O-ring	1	
	M22	92-33		515965 (9005110-5600)	Plug	1	
	M22A	92-33		085043 (9004201-3700)	O-ring	1	



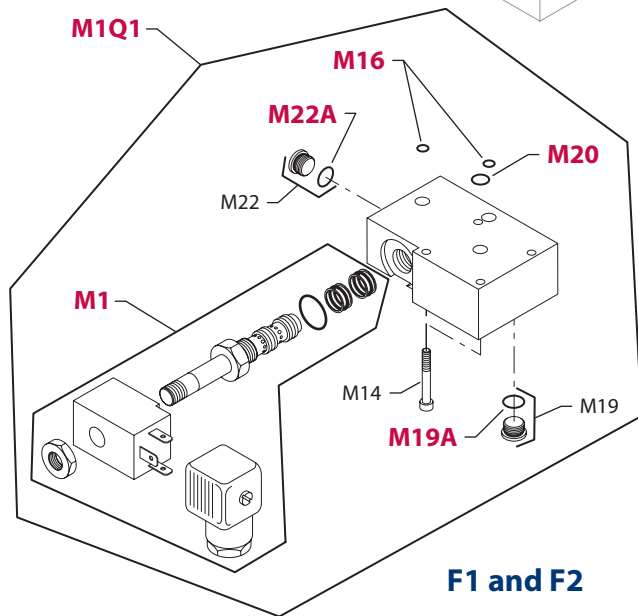
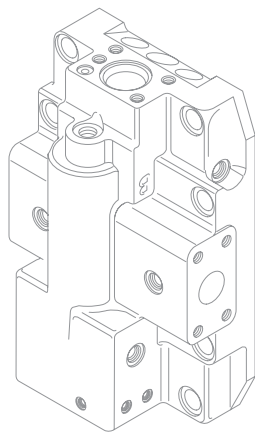
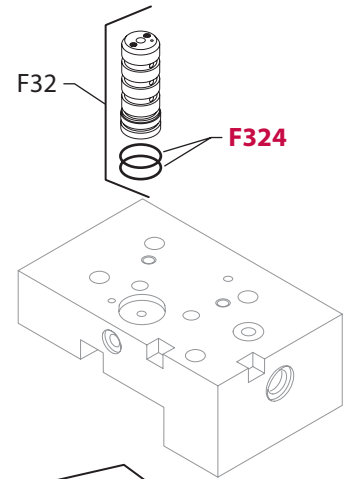
EP, EQ, ER and ES

E100 258E

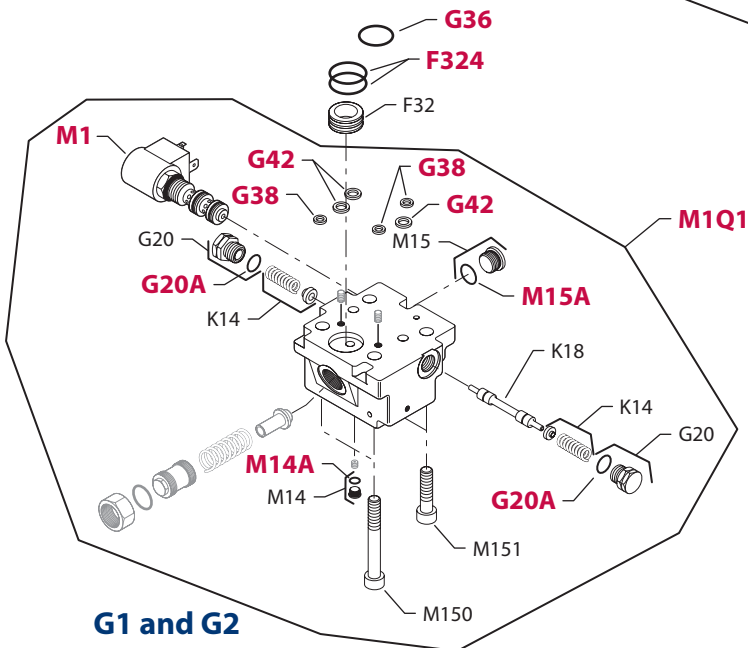
Enlarged **bold** type item numbers are recommended part to stock for servicing.

ELECTRIC-HYDRAULIC PROPORTIONAL

Order code	Item	Date begin	Date end	Part number	Part name	Qty. per model/kit
	F32	92-33		753186	4-way valve assembly	1
	F324	92-33		730036	O-ring	2
	M12	92-33		067678 (9007315-0504)	Screw	4
	M14	92-33		751883	Cover	1
	M16	92-33		504358	Gasket	1
	M18	92-33		771832	Screw	4
	M24	92-33		741942	Piston	1
	M26	92-33		717454	Spring	1
	M28	92-33		742320	Pin	1
	M30	92-33		056770 (9004105-0150)	O-ring	1'
	M32	92-33		515965 (9005110-5600)	Plug	2
	M32A	92-33		085043 (9004201-3700)	O-ring	2
	M36	92-33		732479 (9004105-0100)	O-ring	1
	M38	92-33		011395 (9004104-0230)	O-ring	1
	M42	92-33		504519	Plug	1
	M42A	92-33		039297 (9004201-1200)	O-ring	1
EP	M1	92-33		731109 (MCV110A1058)	PCP, with Packard connector	1
	M1Q1	92-33		503791	Control kit, Packard connector	1
EQ	M1	92-33		701417 (MCV110A1017)	PCP, with MS connector	1
	M1Q1	92-33		503790	Control kit, MS connector	1
ER	M1	95-17		731109 (MCV110A1058)	PCP, with Packard connector	1
	M1Q1	95-17		507391	Control kit, Packard connector	1
	M44	95-17		515965 (9005110-5600)	Plug	1
	M44A	95-17		085043 (9004201-3700)	O-ring	1
ES	M1	95-17		701417 (MCV110A1017)	PCP, with MS connector	1
	M1Q1	95-17		507393	Control kit, MS connector	1
	M44	95-17		515965 (9005110-5600)	Plug	1
	M44A	95-17		085043 (9004201-3700)	O-ring	1



F1 and F2



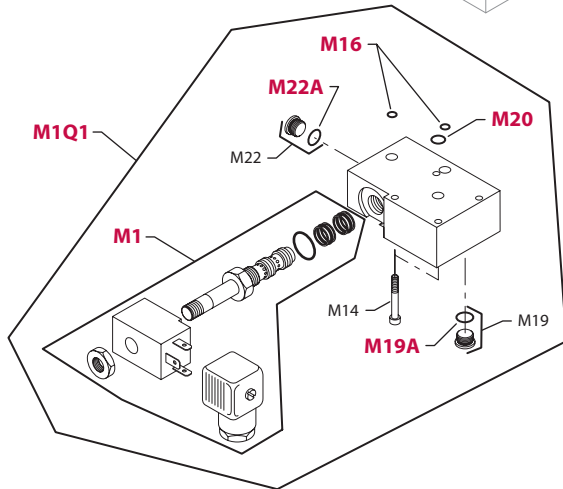
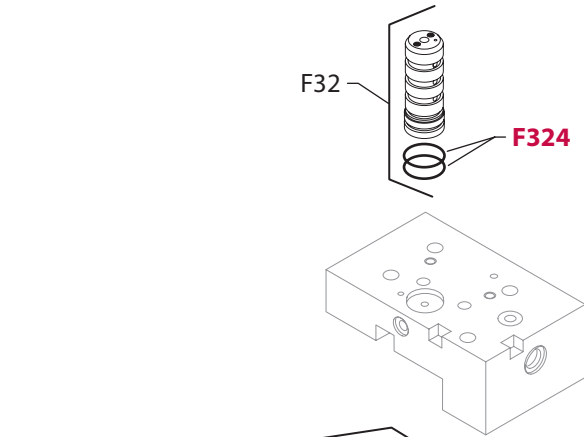
G1 and G2

E100 302E

Enlarged **bold** type item numbers are recommended part to stock for servicing.

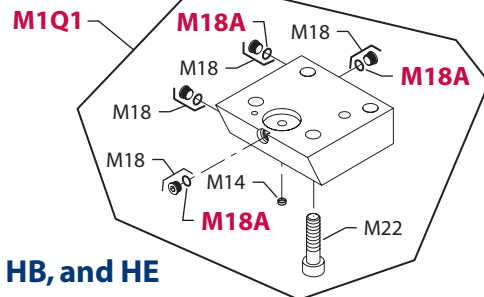
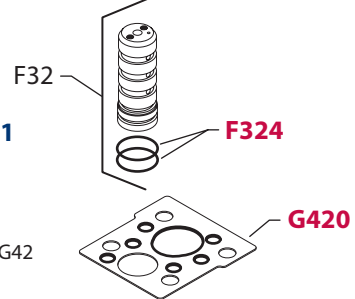
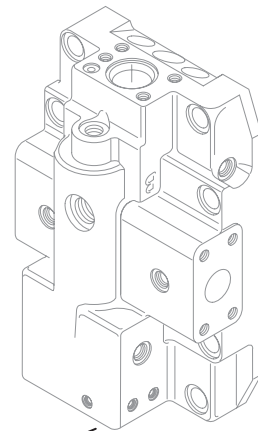
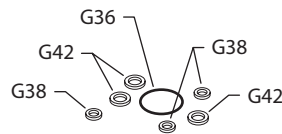
ELECTRIC/HYDRAULIC 2-POSITION

Order code	Item	Date begin	Date end	Part number	Part name	Qty. per model/kit
F1	F32	92-33		500820	4-way valve assembly	1
	F324	92-33		730036	O-ring	2
	M1	92-33		784942	Solenoid valve, 12 volt, DIN connector	1
	M1Q1	92-33		503618	Control kit, 12 volt, DIN connector	1
	M14	92-33		329599 (9007315-0508)	Screw	4
	M16	92-33		732479 (9004105-0100)	O-ring	2
	M19	92-33		515965 (9005110-5600)	Plug	1
	M19A	92-33		085043 (9004201-3700)	O-ring	1
	M20	92-33		365015	O-ring	1
	M22	92-33		515965 (9005110-5600)	Plug	1
	M22A	92-33		085043 (9004201-3700)	O-ring	1
	F2	F32	92-33		500820	4-way valve assembly
F324		92-33		730036	O-ring	2
M1		92-33		784934	Solenoid valve, 24 volt, DIN connector	1
M1Q1		92-33		503617	Control kit, 24 volt, DIN connector	1
M14		92-33		329599 (9007315-0508)	Screw	4
M16		92-33		732479 (9004105-0100)	O-ring	2
M19		92-33		515965 (9005110-5600)	Plug	1
M19A		92-33		085043 (9004201-3700)	O-ring	1
M20		92-33		365015	O-ring	1
M22		92-33		515965 (9005110-5600)	Plug	1
M22A		92-33		085043 (9004201-3700)	O-ring	1
G1 & G2		F32	96-20		509723	4-way valve assembly
	F324	96-20		730036	O-ring	2
	G20	96-20		518016	Plug	2
	G20A	96-20		085043 (9004201-3700)	O-ring	2
	G36	96-20		364968	O-ring	1
	G38	96-20		792739	O-ring	3
	G42	96-20		754580	O-ring	3
	K14	96-20		513596	Spring guide assembly	2
	K18	96-20		502398	Spool	1
	G1	M1	96-20	502404	Solenoid valve, 12 volt, DIN connector	1
	G2	M1	96-20	502114	Solenoid valve, 24 volt, DIN connector	1
	G1	M1Q1	96-20	507130	Control kit, 12 volt, DIN connector	1
	G2	M1Q1	96-20	507132	Control kit, 24 volt, DIN connector	1
		M14	96-20	504519	Plug	1
		M14A	96-20	039297 (9004201-1200)	O-ring	1
		M15	96-20	515965 (9005110-5600)	Plug	1
		M15A	96-20	085043 (9004201-3700)	O-ring	1
		M150	96-20	502580	Screw	2
		M151	96-20	732982	Screw	2



H1 and H2

Refer to SB-2002-001



HA, HB, and HE

E100 260 E

Enlarged **bold** type item numbers are recommended part to stock for servicing.

HYDRAULIC PROPORTIONAL WITH ELECTRIC OVERRIDE

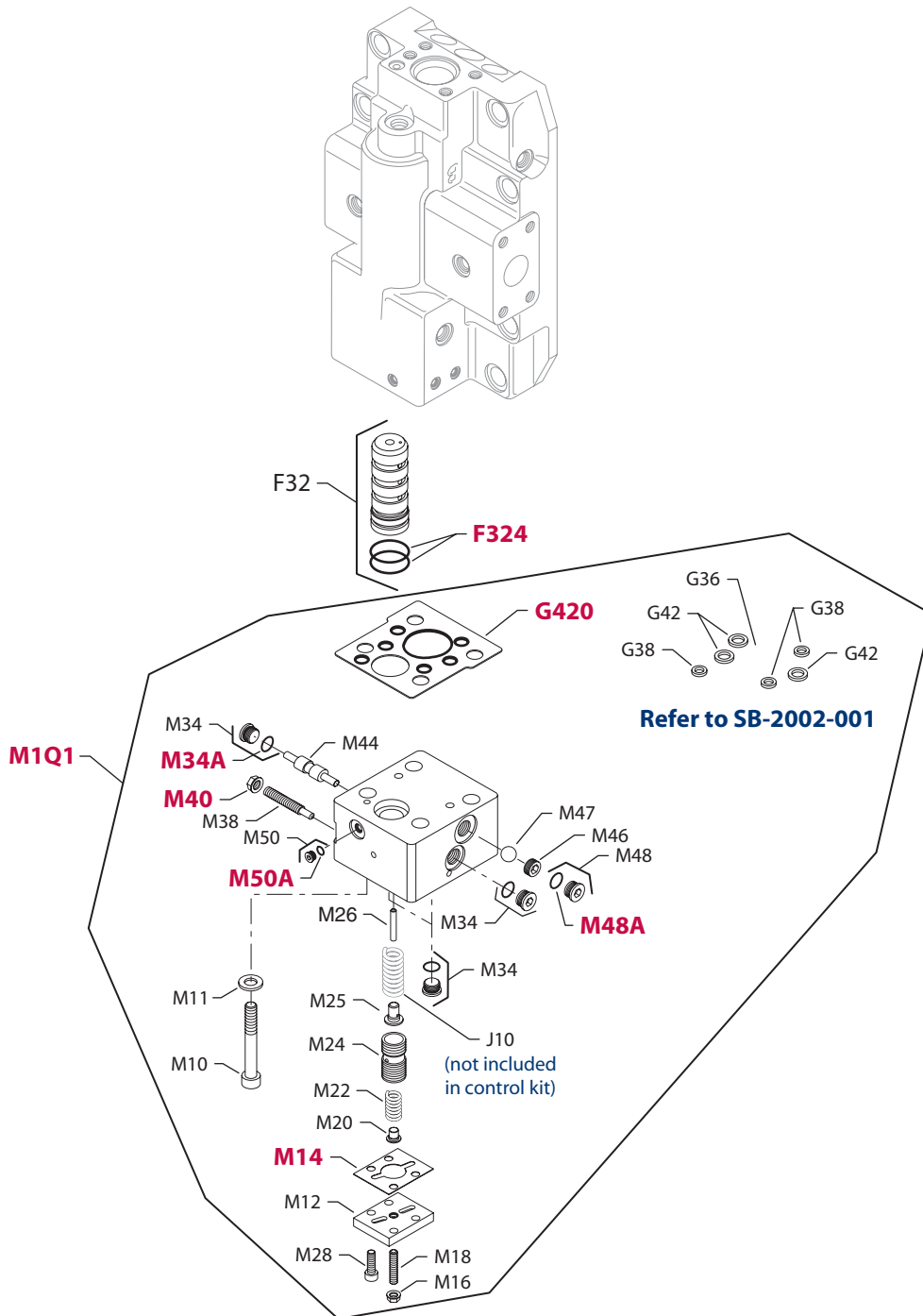
H1	F32	92-33		727115	4-way valve assembly	1
	F324	92-33		730036	O-ring	2
	M1	92-33		784942	Solenoid valve, 12 volt, DIN connector	1
	M1Q1	92-33		503613	Control kit, 12 volt, DIN connector	1
	M14	92-33		329599 (9007315-0508)	Screw	4
	M16	92-33		732479 (9004105-0100)	O-ring	2
	M19	92-33		515965 (9005110-5600)	Plug	1
	M19A	92-33		085043 (9004201-3700)	O-ring	1
	M20	92-33		365015	O-ring	1

H2	F32	92-33		727115	4-way valve assembly	1
	F324	92-33		730036	O-ring	2
	M1	92-33		784934	Solenoid valve, 24 volt, DIN connector	1
	M1Q1	92-33		503614	Control kit, 24 volt, DIN connector	1
	M14	92-33		329599 (9007315-0508)	Screw	4
	M16	92-33		732479 (9004105-0100)	O-ring	2
	M19	92-33		515965 (9005110-5600)	Plug	1
	M19A	92-33		085043 (9004201-3700)	O-ring	1
	M20	92-33		365015	O-ring	1

HYDRAULIC PROPORTIONAL

HA & HE	F32	94-12		727115	4-way valve assembly	1
	F324	94-12		730036	O-ring	2
	G36	94-12	03-07	364968	O-ring (SB-2002-001) <i>not included in M1Q1</i>	1
	G38	94-12	03-07	792739	O-ring (SB-2002-001) <i>not included in M1Q1</i>	3
	G42	94-12	03-07	754580	O-ring (SB-2002-001) <i>not included in M1Q1</i>	3
	G420	03-08		511810	Gasket/O-ring seal (SB-2002-001) <i>not included in M1Q1</i>	1
	M1Q1	94-12		507504	Control kit	1
	M18	94-12		504519	Plug	4
	M18A	94-12		039297 (9004201-1200)	O-ring	4
	M22	94-12		732982 (9007314-1009)	Screw	4

HB	F32	94-12		727115	4-way valve assembly	1
	F324	94-12		730036	O-ring	2
	G36	94-12	03-07	364968	O-ring (SB-2002-001) <i>not included in M1Q1</i>	1
	G38	94-12	03-07	792739	O-ring (SB-2002-001) <i>not included in M1Q1</i>	3
	G42	94-12	03-07	754580	O-ring (SB-2002-001) <i>not included in M1Q1</i>	3
	G420	03-08		511810	Gasket/O-ring seal (SB-2002-001) <i>not included in M1Q1</i>	1
	M1Q1	94-12		518235	Control kit	1
	M18	94-12		504519	Plug	3
	M18A	94-12		039297 (9004201-1200)	O-ring	3
	M22	94-12		732982 (9007314-1009)	Screw	4

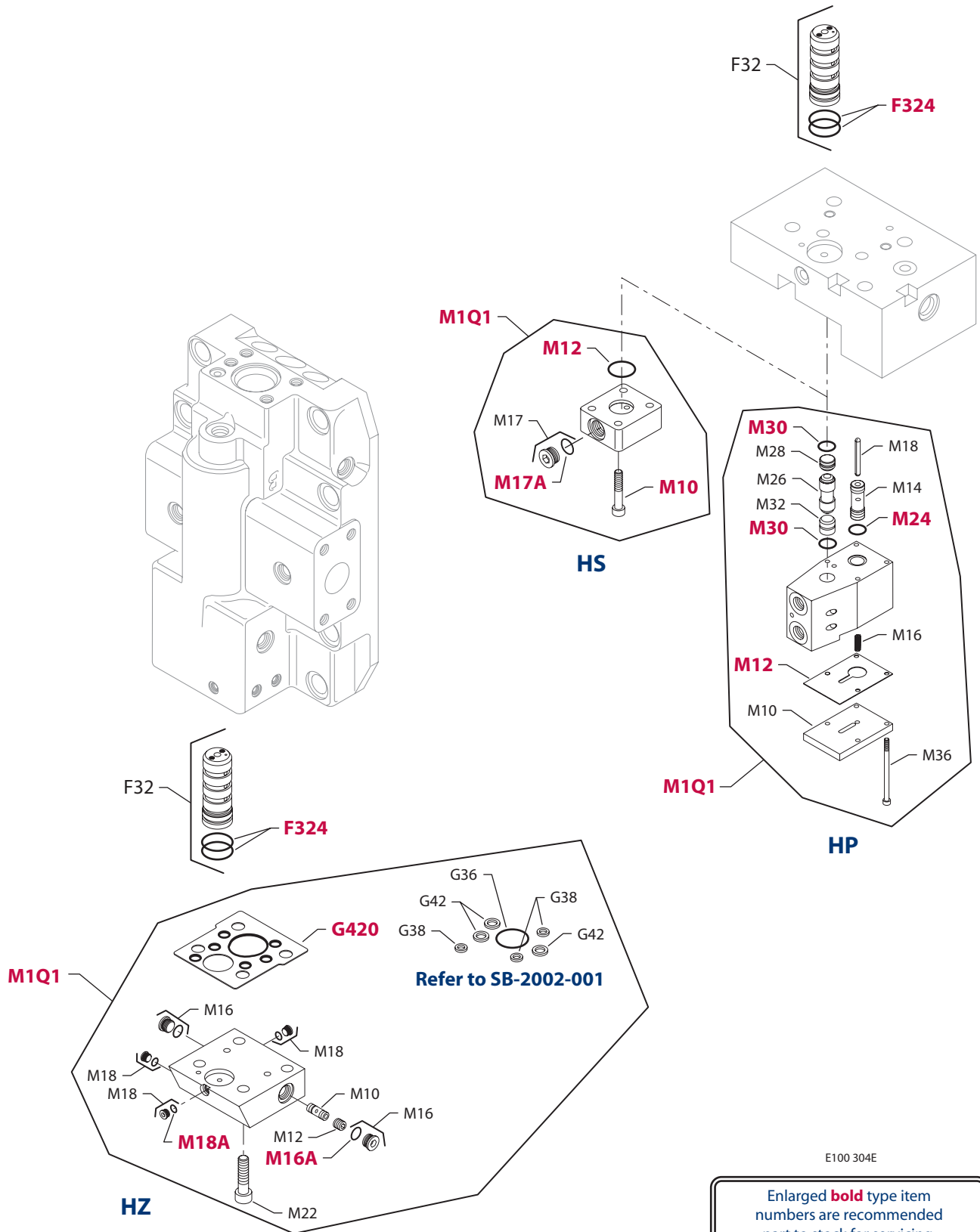


E100 303E

Enlarged **bold** type item numbers are recommended part to stock for servicing.

HYDRAULIC PROPORTIONAL

HC	F32	91-26		728493	4-way valve assembly	1
	F324	91-26		730036	O-ring	2
	G36	91-26	03-07	364968	O-ring (SB-2002-001)	1
	G38	91-26	03-07	792739	O-ring (SB-2002-001)	3
	G42	91-26	03-07	754580	O-ring (SB-2002-001)	3
	G420	03-08		511810	Gasket/O-ring seal (SB-2002-001)	1
	M1Q1	91-26		506879	Control kit	1
	M10	91-26		739664	Screw	4
	M12	91-26		717199	Cover	1
	M14	91-26		509940	Gasket	1
	M16	91-26		517862 (9003509-0006)	Seal nut	1
	M18	91-26		043240	Set screw	1
	M20	91-26		719377	Spring guide	1
	M22	91-26		729434	Spring	1
	M24	91-26		728998	Piston	1
	M25	91-26		728980	Spring seat	1
	M26	91-26		736983	Pin	1
	M28	91-26		704395 (9007314-0604)	Screw	4
	M34	91-26		515965 (9004201-5600)	Plug	4
	M34A	91-26		085043 (9004201-3700)	O-ring	4
	M38	91-26		504667	Venting screw	1
	M40	91-26		505412 (9003509-0008)	Seal nut	1
	M44	91-26		505269	Shuttle valve	1
	M46	91-26		625210	Check ball seat	1
	M47	91-26		916007	Check ball	1
	M48	91-26		515965 (9004201-5600)	Plug	1
	M48A	91-26		085043 (9004201-3700)	O-ring	1
	M50	91-26		504519	Plug	1
	M50A	91-26		039297 (9004201-1200)	O-ring	1

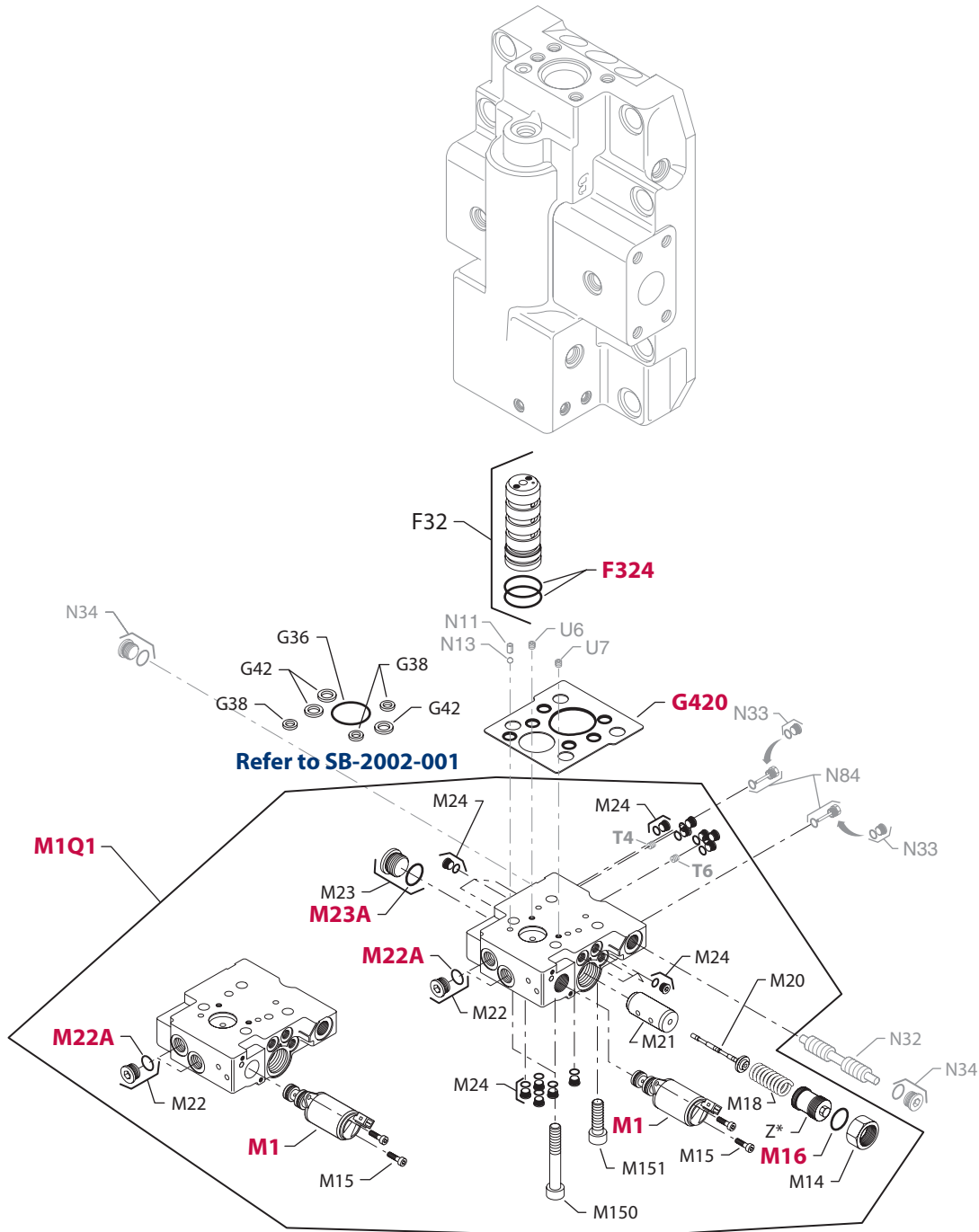


E100 304E

Enlarged **bold** type item numbers are recommended part to stock for servicing.

HYDRAULIC PROPORTIONAL

Order code	Item	Date begin	Date end	Part number	Part name	Qty. per model/kit
HP	F32	91-26		753186	4-way valve assembly	1
	F324	91-26		730036	O-ring	2
	M1Q1	91-26		796482	Control kit	1
	M10	91-26		751883	Cover	1
	M12	91-26		504358	Gasket	1
	M14	91-26		741942	Shuttle piston	1
	M16	91-26		717454	Spring	1
	M18	91-26		742320	Pin	1
	M24	91-26		056770	O-ring	1
	M26	91-26		751644	Shuttle valve	1
	M28	91-26		342246	Sealing plug	1
	M30	91-26		011296 (9004105-0120)	O-ring	2
	M32	91-26		353615	Sealing plug	1
	M36	91-26		771832	Screw	4
HS	F32	91-26		727115	4-way valve assembly	1
	F324	91-26		730036	O-ring	2
	M1Q1	91-26		503804	Control kit	1
	M10	91-26		124115	Screw	4
	M17	91-26		515965 (9005110-5600)	Plug	1
	M17A	91-26		085043 (9004201-3700)	O-ring	1
	HZ	F32	91-26		727115	4-way valve assembly
F324		91-26		730036	O-ring	2
G36		91-26	03-07	364968	O-ring (SB-2002-001)	1
G38		91-26	03-07	792739	O-ring (SB-2002-001)	3
G42		91-26	03-07	754580	O-ring (SB-2002-001)	3
G420		03-08		511810	Gasket/O-ring seal (SB-2002-001)	1
M1Q1		91-26		503563	Control kit (SB-2002-001)	1
M10		91-26		759415	Spool valve	1
M12		91-26		759423	Orifice	1
M16		91-26		515965 (9005110-5600)	Plug	2
M16A		91-26		085043 (9004201-3700)	O-ring	2
M18		91-26		504519	Plug	3
M18A		91-26		039297 (9004201-1200)	O-ring	3
M22		91-26		290502	Screw	4



Note: T4, T6 and Z* are not included in M1Q1

E100 305E

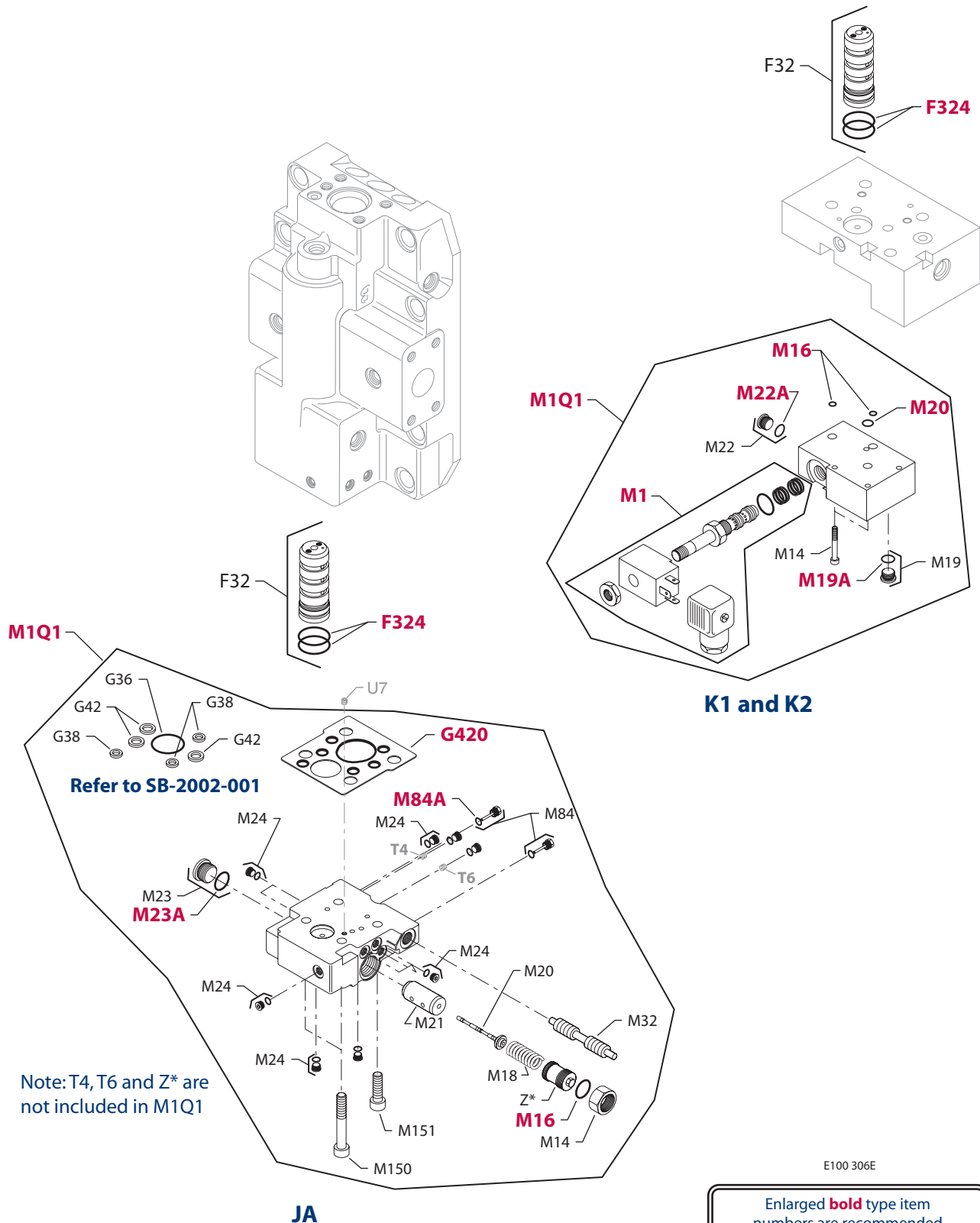
Enlarged **bold** type item numbers are recommended part to stock for servicing.

HYDRAULIC PROPORTIONAL WITH ELECTRIC OVERRIDE COMMON PARTS

Order code	Item	Date begin	Date end	Part number	Part name	Qty. per model/kit
	F32	94-47		727115	4-way valve assembly	1
	F324	94-47		730036	O-ring	2
	G36	94-47	03-07	364968	O-ring (SB-2002-001) <i>not included in M1Q1</i>	1
	G38	94-47	03-07	792739	O-ring (SB-2002-001) <i>not included in M1Q1</i>	3
	G42	94-47	03-07	754580	O-ring (SB-2002-001) <i>not included in M1Q1</i>	3
	G420	03-08		511810	Gasket/O-ring seal (SB-2002-001) <i>not included in M1Q1</i>	1
	M14	94-47		342709 (9003575-0101)	Nut	1
	M16	94-47		001149 (9004201-6200)	O-ring	1
	M18	94-47		509152	Spring	1
	M20	94-47		746016	PCOR spool assembly	1
	M21	94-47		732081	PCOR valve bushing	1
	M23	94-47		315325 (9005110-8700)	Plug	1
	M23A	94-47		001149 (9004201-6200)	O-ring	1
	M150	94-47		739664	Screw	2
	M151	94-47		680686	Screw	2
	Z*	94-47		745661	Adjuster, 100-260 bar	1
	"	94-47		745679	Adjuster, 270-370 bar	1

HYDRAULIC PROPORTIONAL WITH ELECTRIC OVERRIDE

J1	M1	94-47		784942	Solenoid valve, 12 volt, DIN connector	1
	M1Q1	94-47		518230	Control kit, 12 volt, DIN connector	1
	M22	94-47		515965 (9005110-5600)	Plug	1
	M22A	94-47		085043 (9004201-3700)	O-ring	1
	M24	94-47		504519	Plug	21
	M24A	94-47		039297 (9004201-1200)	O-ring	21
J2	M1	98-20		784934	Solenoid valve, 24 volt, DIN connector	1
	M1Q1	98-20		518238	Control kit, 24 volt, DIN connector	1
	M22	98-20		515965 (9005110-5600)	Plug	1
	M22A	98-20		085043 (9004201-3700)	O-ring	1
	M24	98-20		504519	Plug	21
	M24A	98-20		039297 (9004201-1200)	O-ring	21
J3	M1	96-48		518079	Solenoid valve, 12 volt, Jet connector	1
	M1Q1	96-48		507725	Control kit, 12 volt, Jet connector	1
	M15	96-48		067694	Screw	2
	M22	96-48		515965 (9005110-5600)	Plug	2
	M22A	96-48		085043 (9004201-3700)	O-ring	2
	M24	96-48		504519	Plug	17
	M24A	96-48		039297 (9004201-1200)	O-ring	17



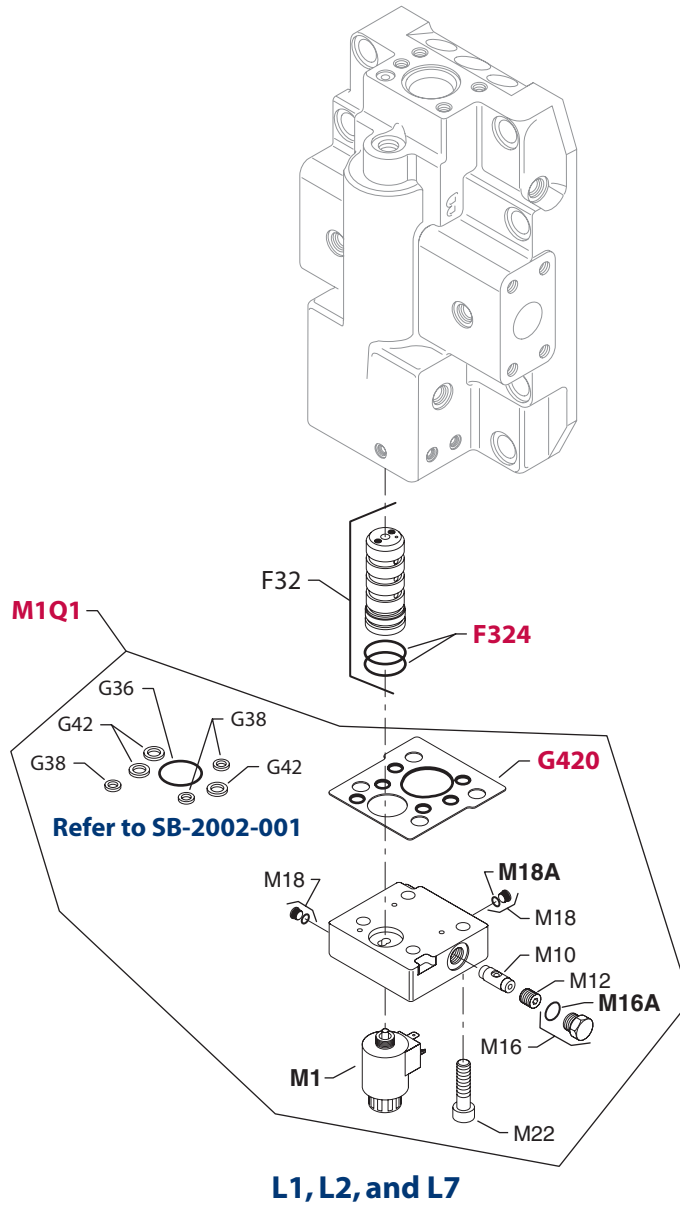
HYDRAULIC PROPORTIONAL

Order code	Item	Date begin	Date end	Part number	Part name	Qty. per model/kit
JA	F32	95-50		727115	4-way valve assembly	1
	F324	95-50		730036	O-ring	2
	G36	95-50	03-07	364968	O-ring (SB-2002-001)	1
	G38	95-50	03-07	792739	O-ring (SB-2002-001)	3
	G42	95-50	03-07	754580	O-ring (SB-2002-001)	3
	G420	03-08		511810	Gasket/O-ring seal (SB-2002-001)	1
	M1Q1	95-50		510264	Control kit	1
	M14	95-50		342709 (9003575-0101)	Nut	1
	M16	95-50		001149 (9004201-6200)	O-ring	1
	M18	95-50		509152	Spring	1
	M20	95-50		501876	PCOR spool assembly	1
	M21	95-50		501885	PCOR valve bushing	1
	M23	95-50		315325 (9005110-8700)	Plug	1
	M23A	95-50		001149 (9004201-6200)	O-ring	1
	M24	95-50		504519	Plug	11
	M24A	95-50		039297 (9004201-1200)	O-ring	11
	M32	95-50		346080	Spool	1
	M84	95-50		735266	Plug assembly	2
	M84A	95-50		039297 (9004201-1200)	O-ring	2
	M150	95-50		739664	Screw	2
	M151	95-50		680686	Screw	2
	Z*	95-50		745661	Adjuster, 100-260 bar	1
	"	95-50		745679	Adjuster. 270-370 bar	1

HYDRAULIC PROPORTIONAL WITH ELECTRIC OVERRIDE

K1	F32	91-35		727115	4-way valve assembly	1
	F324	91-35		730036	O-ring	2
	M1	91-35		784942	Solenoid valve, 12 volt, DIN connector	1
	M1Q1	91-35		503620	Control kit, 12 volt, DIN connector	1
	M14	91-35		329599	Screw	4
	M16	91-35		732479 (9004105-0100)	O-ring	2
	M19	91-35		515965 (9005110-5600)	Plug	1
	M19A	91-35		085043 (9004201-3700)	O-ring	1
	M20	91-35		365015	O-ring	1

K2	F32	91-35		727115	4-way valve assembly	1
	F324	91-35		730036	O-ring	2
	M1	91-35		784934	Solenoid valve, 24 volt, DIN connector	1
	M1Q1	91-35		503806	Control kit, 24 volt, DIN connector	1
	M14	91-35		329599	Screw	4
	M16	91-35		732479 (9004105-0100)	O-ring	2
	M19	91-35		515965 (9005110-5600)	Plug	1
	M19A	91-35		085043 (9004201-3700)	O-ring	1
	M20	91-35		365015	O-ring	1



E100 307E

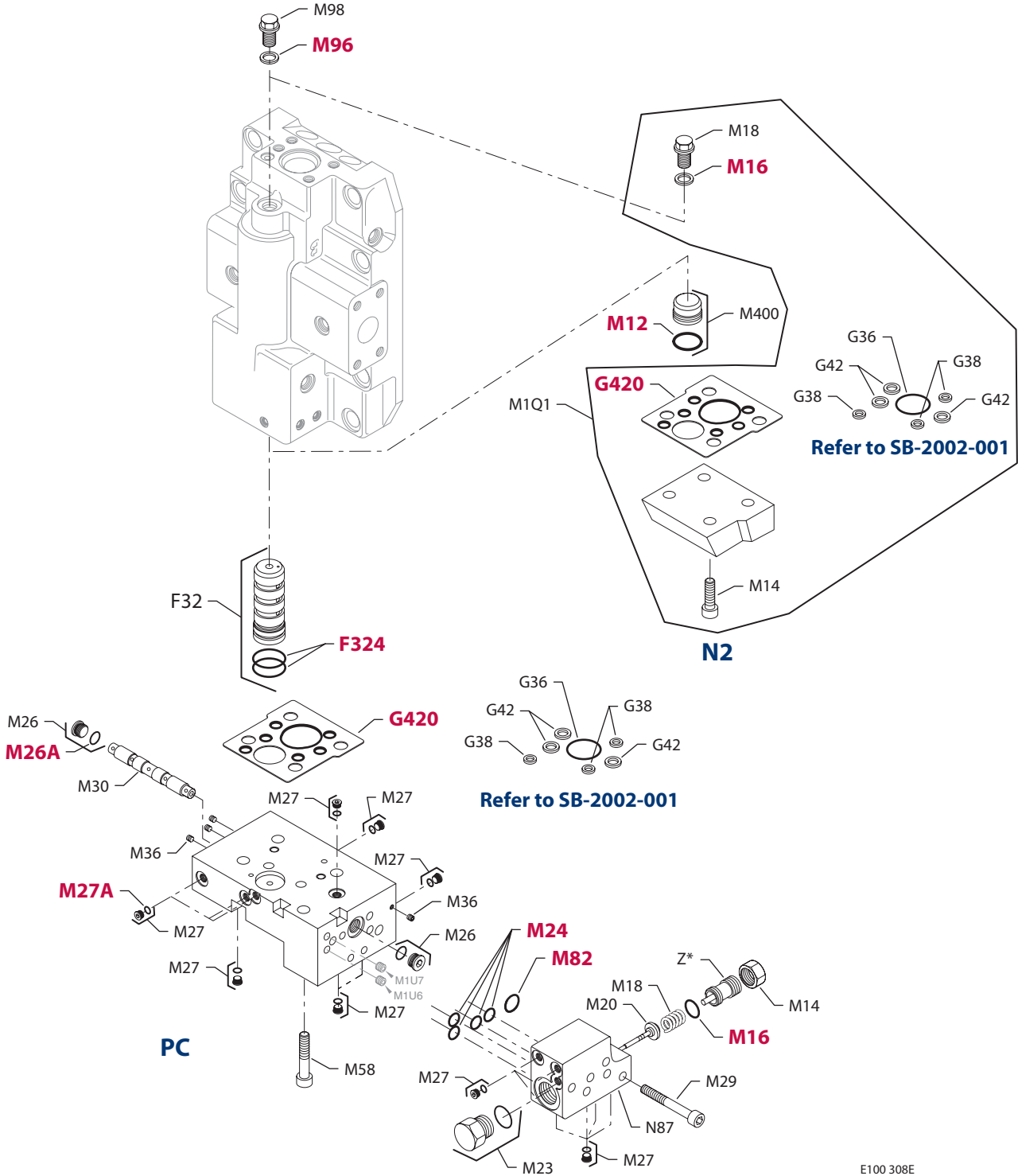
Enlarged **bold** type item numbers are recommended part to stock for servicing.

SOLENOID PROPORTIONAL COMMON PARTS

Order code	Item	Date begin	Date end	Part number	Part name	Qty. per model/kit
	F32	95-35		509845	4-way valve assembly	1
	F324	95-35		730036	O-ring	2
	G36	95-35	03-07	364968	O-ring (SB-2002-001)	1
	G38	95-35	03-07	792739	O-ring (SB-2002-001)	3
	G42	95-35	03-07	754580	O-ring (SB-2002-001)	3
	G420	03-08		511810	Gasket/O-ring seal (SB-2002-001)	1
	M10	95-35		759415	Spool	1
	M12	95-35		759423	Orifice	1
	M16	95-35		515965 (9005110-5600)	Plug	1
	M16A	95-35		085043 (9004201-3700)	O-ring	1
	M18	95-35		504519	Plug	2
	M18A	95-35		039297 (9004201-1200)	O-ring	2
	M22	95-35		727586 (9007314-1008)	Screw	4

SOLENOID PROPORTIONAL

L1	M1	95-35		509712	Solenoid, 12 volt, DIN connector	1
	M1Q1	95-35		509827	Control kit, 12 volt, DIN connector	1
L2	M1	95-35		509713	Solenoid, 24 volt, DIN connector	1
	M1Q1	95-35		509839	Control kit, 24 volt, DIN connector	1
L3	M1	01-19		517567	Solenoid, 12 volt, Deutsch connector	1
	M1Q1	01-19		517566	Control kit, 12 volt, Deutsch connector	1
L7	M1	96-24		509706	Solenoid, 12 volt, Jet connector	1
	M1Q1	96-24		509841	Control kit, 12 volt, Jet connector	1



E100 308E

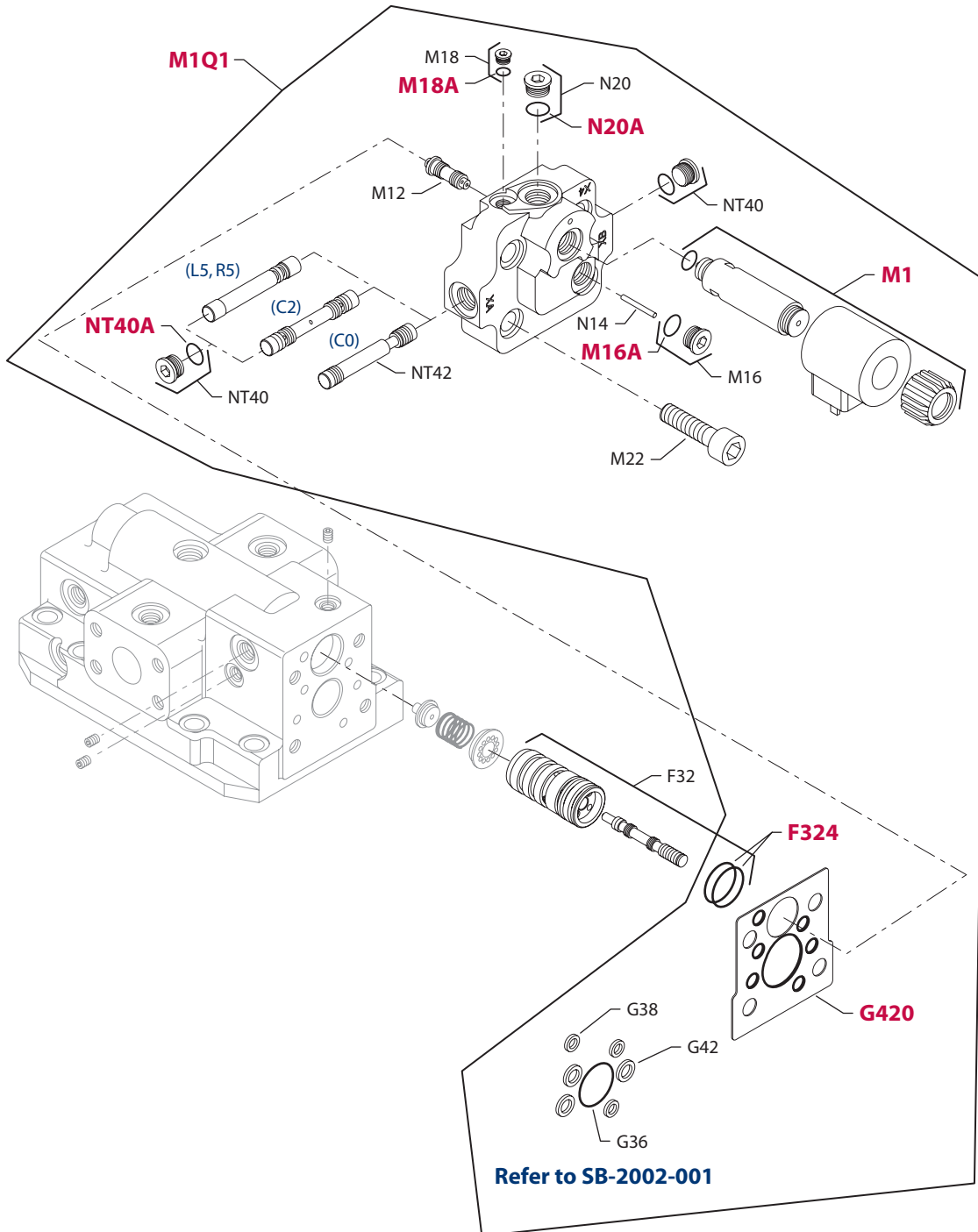
Enlarged **bold** type item numbers are recommended part to stock for servicing.

HYDRAULIC 2-POSITION

N2	G36	91-26	03-07	364968	O-ring (SB-2002-001)	1
	G38	91-26	03-07	792739	O-ring (SB-2002-001)	3
	G42	91-26	03-07	754580	O-ring (SB-2002-001)	3
	G420	03-08		511810	Gasket/O-ring seal (SB-2002-001)	1
	M1Q1	91-26		503807	Control kit	1
	M12	91-26		730036	O-ring	1
	M400	91-26		510415	Sleeve assembly	1
	M14	91-26		727586	Screw	4
	M16	91-26		084673	Sealing ring	2
	M18	91-26		745331	Plug	1

PRESSURE COMPENSATOR

PC	F32	91-26		510416	4-way valve assembly	1
	F324	91-26		730036	O-ring	2
	G36	91-26	03-07	364968	O-ring (SB-2002-001)	1
	G38	91-26	03-07	792739	O-ring (SB-2002-001)	3
	G42	91-26	03-07	754580	O-ring (SB-2002-001)	3
	G420	03-08		511810	Gasket/O-ring seal (SB-2002-001)	1
	M14	91-26		342709 (9003575-0101)	Nut	1
	M16	91-26		001149 (9004201-6200)	O-ring	1
	M18	91-26		509152	Spring	1
	M20	91-26		746016	Relief valve	1
	M23	91-26		315325 (9005110-8700)	Plug	1
	M23A	91-26		001149 (9004201-6200)	O-ring	1
	M24	91-26		732479 (9004105-0100)	O-ring	4
	M26	91-26		515965 (9005110-5600)	Plug	2
	M26A	91-26		085043 (9004201-3700)	O-ring	2
	M27	91-26		504519	Plug	16
	M27A	91-26		039297 (9004201-1200)	O-ring	16
	M29	91-26		713719 (9007314-0610)	Screw	4
	M30	91-26		718833	Shuttle valve assembly	1
	M36	91-26		092114 (9007712-0604)	Set screw	4
	M58	91-26		732982 (9007314-1009)	Screw	4
	M82	91-26		732479 (9004105-0100)	O-ring	1
	M96	91-26		084673	Sealing ring	1
	M98	91-26		745331	Plug	1
	N87	91-26		503887	PCOR housing assembly	1
	Z*	91-26		745661	Adjuster, 100-260 bar	1
	"	91-26		745649	Adjuster, 270-370 bar	1



E100 333E

Enlarged **bold** type item numbers are recommended part to stock for servicing.

ELECTRIC-HYDRAULIC 2-POSITION WITH PRESSURE COMPENSATOR

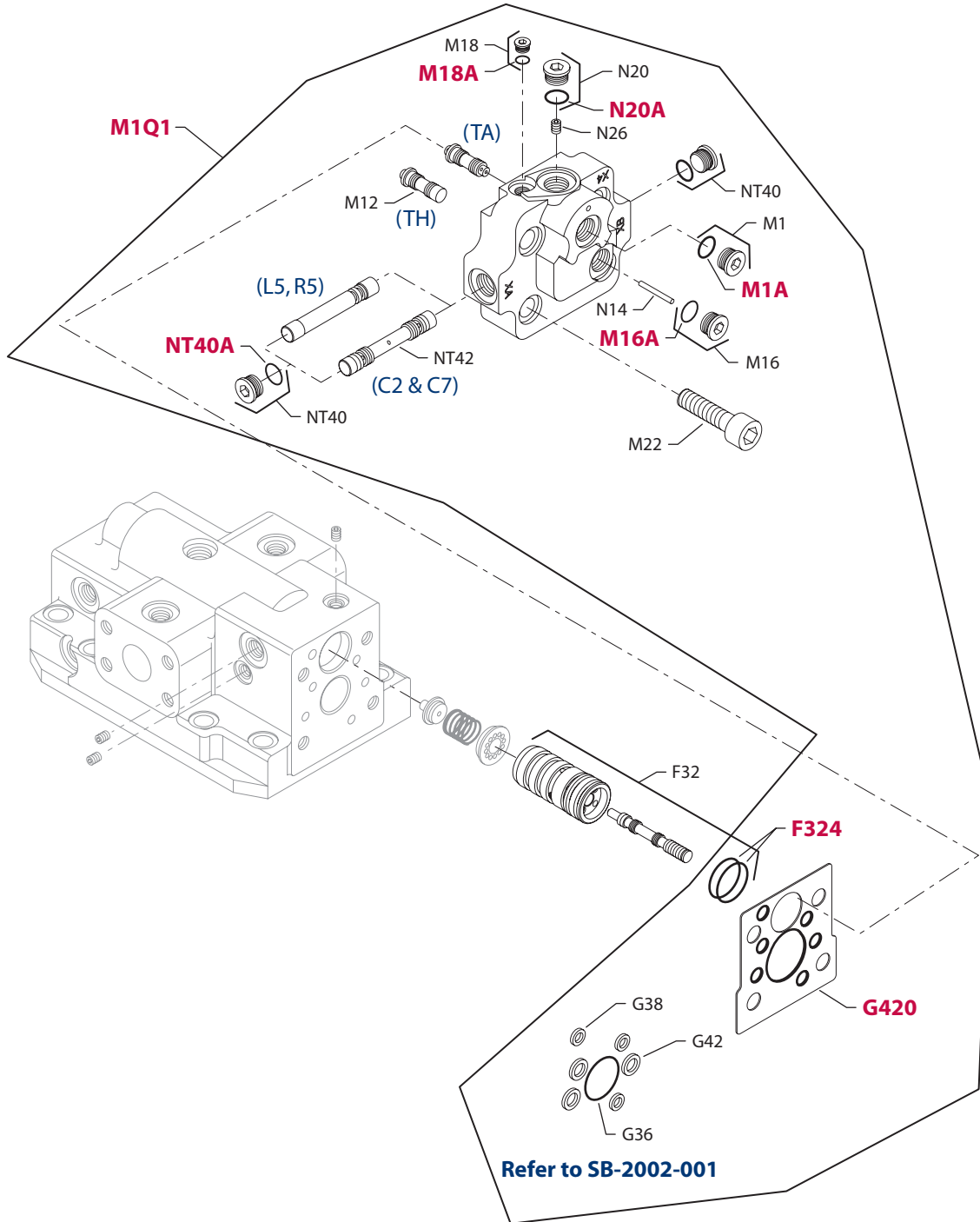
Order code	Item	Date begin	Date end	Part number	Part name	Qty. per model/kit
	F32	96-31		503380	4-way valve assembly	1
	F324	96-31		730036	O-ring	2
	G36	96-31	03-07	364968	O-ring (SB-2002-001)	1
	G38	96-31	03-07	792739	O-ring (SB-2002-001)	3
	G42	96-31	03-07	754580	O-ring (SB-2002-001)	3
	G420	03-08		511810	Gasket/O-ring seal (SB-2002-001)	1
T1	M1	96-31		509534	Solenoid, 12 volt, DIN connector	1
T2	M1	96-31		509537	Solenoid, 24 volt, DIN connector	1
	M12	96-31		503192	Piston	1
	M16	96-31		515965 (9005110-5600)	Plug	1
	M16A	96-31		085043 (9004201-3700)	O-ring	1
	M18	96-31		504519	Plug	1
	M18A	96-31		039297 (9004201-1200)	O-ring	1
	M22	96-31		732982	Screw	4

T1 AND T2 CONTROL KITS USED WITH VARIOUS SERVO PRESSURE SUPPLY OPTIONS

T1/C0	M1Q1	96-31		508326	Control kit, T1/C0, 12 volt, DIN connector	1
	N14	96-31		503503	Pin	1
	N20	96-31		515965 (9005110-5600)	Plug	1
	N20A	96-31		085043 (9004201-3700)	O-ring	1
	NT42	96-31		508175	Spool	1

T1/C2	M1Q1	96-31		506886	Control kit, T1/C2, 12 volt, DIN connector	1
T2/C2	M1Q1	96-31		506888	Control kit, T2/C2, 24 volt, DIN connector	1
	N20	96-31		515965 (9005110-5600)	Plug	1
	N20A	96-31		085043 (9004201-3700)	O-ring	1
	NT40	96-31		515965 (9005110-5600)	Plug	2
	NT40A	96-31		085043 (9004201-3700)	O-ring	2
	NT42	96-31		508156	Spool	1

T1/L5, R5	M1Q1	96-31		506908	Control kit, T1/L5 or T1/R5, 12 volt, DIN connector	1
T2/L5, R5	M1Q1	96-31		506906	Control kit, T2/L5 or T1/R5, 24 volt, DIN connector	1
	N14	96-31		503503	Pin	1
	N20	96-31		515965 (9005110-5600)	Plug	1
	N20A	96-31		085043 (9004201-3700)	O-ring	1
	NT40	96-31		515965 (9005110-5600)	Plug	2
	NT40A	96-31		085043 (9004201-3700)	O-ring	2
	NT42	96-31		507782	Spool	1



E100 334E

Enlarged **bold** type item numbers are recommended part to stock for servicing.

PRESSURE COMPENSATOR AND HYDRAULIC 2-POSITION WITH PRESSURE COMPENSATOR

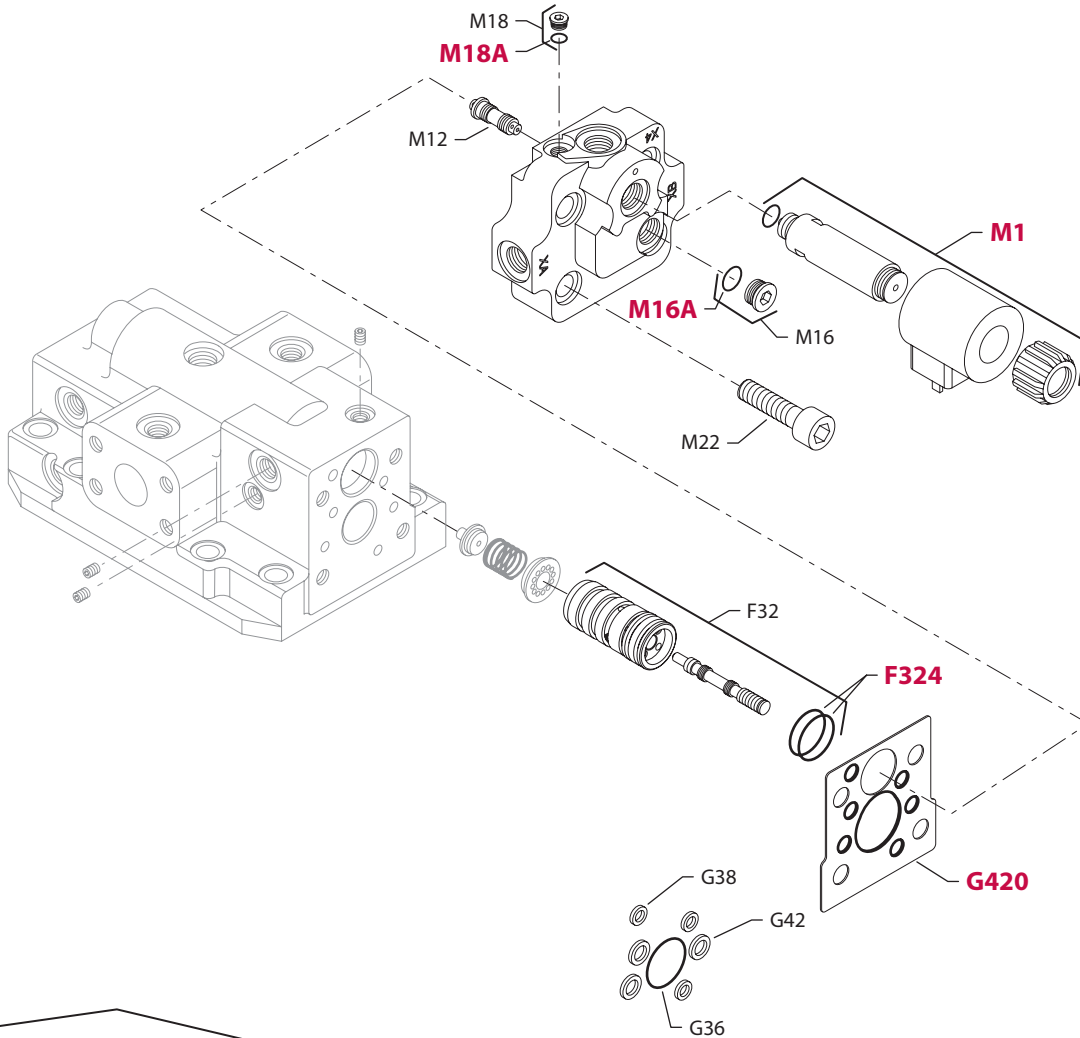
Order code	Item	Date begin	Date end	Part number	Part name	Qty. per model/kit
	F32	97-02		503380	4-way valve assembly	1
	F324	97-02		730036	O-ring	2
	G36	97-02	03-07	364968	O-ring (SB-2002-001)	1
	G38	97-02	03-07	792739	O-ring (SB-2002-001)	3
	G42	97-02	03-07	754580	O-ring (SB-2002-001)	3
	G420	03-08		511810	Gasket/O-ring seal (SB-2002-001)	1
TA	M1	97-02		515965 (9005110-5600)	Plug	1
TA	M1A	97-02		085043 (9004201-3700)	O-ring	1
TA	M12	97-02		503192	Piston	1
TH	M12	97-02		503194	Piston	1
	M16	97-02		515965 (9005110-5600)	Plug	1
	M16A	97-02		085043 (9004201-3700)	O-ring	1
	M18	97-02		504519	Plug	1
	M18A	97-02		039297 (9004201-1200)	O-ring	1
	M22	97-02		732982	Screw	4

TA AND TH CONTROL KITS USED WITH VARIOUS SERVO PRESSURE SUPPLY OPTIONS

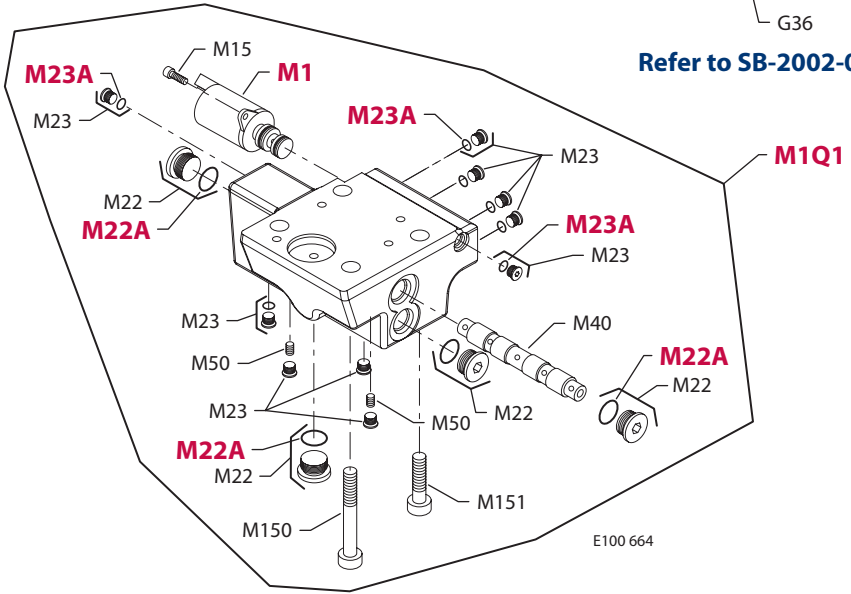
TA/C2	M1Q1	97-02		506884	Control kit, TA/C2	1
TH/C2	M1Q1	97-02		503801	Control kit, TH/C2	1
	N20	97-02		515965 (9005110-5600)	Plug	1
	N20A	97-02		085043 (9004201-3700)	O-ring	1
	NT40	97-02		515965 (9005110-5600)	Plug	2
	NT40A	97-02		085043 (9004201-3700)	O-ring	2
	NT42	97-02		508156	Spool	1

TA/L5, R5	M1Q1	97-02		506909	Control kit, TA/L5 or TA/R5	1
TH/L5, R5	M1Q1	97-02		506910	Control kit, TH/L5 or TH/R5	1
	N14	97-02		503503	Pin	1
	N20	97-02		515965 (9005110-5600)	Plug	1
	N20A	97-02		085043 (9004201-3700)	O-ring	1
	NT40	97-02		515965 (9005110-5600)	Plug	2
	NT40A	97-02		085043 (9004201-3700)	O-ring	2
	NT42	97-02		507782	Spool	1

TH/C7	M1Q1	97-02		508272	Control kit, TH/C7	1
	N26	97-02		913897 (9007712-0605)	Set screw	1
	NT40	97-02		515965 (9005110-5600)	Plug	2
	NT40A	97-02		085043 (9004201-3700)	O-ring	2
	NT42	97-02		508156	Spool	1



Refer to SB-2002-001



E100 271E

Enlarged **bold** type item numbers are recommended part to stock for servicing.

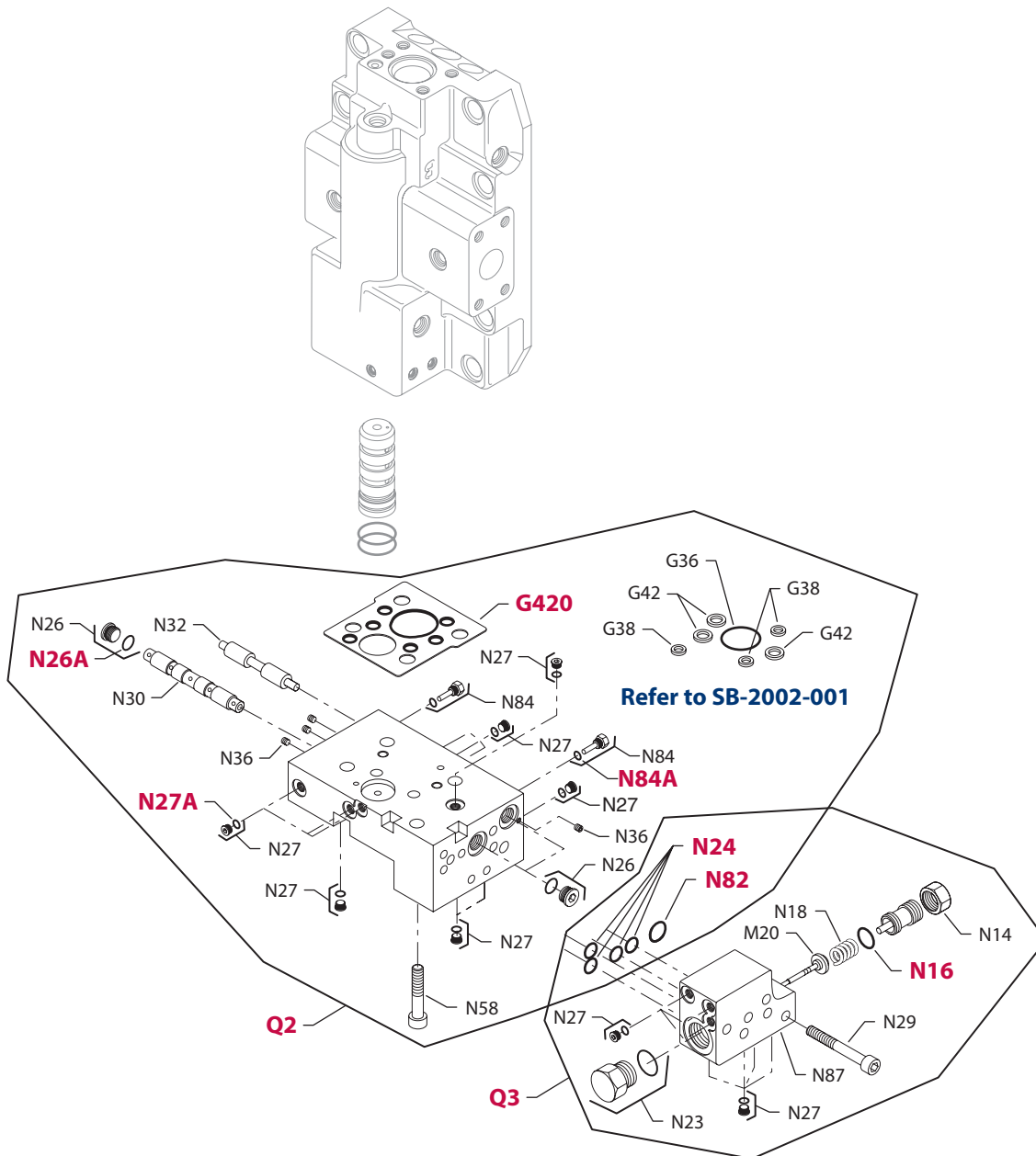
ELECTRIC-HYDRAULIC 2-POSITION WITHOUT PRESSURE COMPENSATOR

Order code	Item	Date begin	Date end	Part number	Part name	Qty. per model/kit
U1	F32	99-30		503925	4-way valve assembly	1
	F324	99-30		730036	O-ring	2
	G36	99-30	03-07	364968	O-ring (SB-2002-001)	1
	G38	99-30	03-07	792739	O-ring (SB-2002-001)	3
	G42	99-30	03-07	754580	O-ring (SB-2002-001)	3
	G420	03-08		511810	Gasket/O-ring seal (SB-2002-001)	1
	M1	99-30		509534	Solenoid valve, 12 volt, DIN connector	1
	M12	99-30		507292	Piston	1
	M16	99-30		515965 (9005110-5600)	Plug	1
	M16A	99-30		085043 (9004201-3700)	O-ring	1
	M18	99-30		504519	Plug	1
	M18A	99-30		039297 (9004201-1200)	O-ring	1
	M22	99-30		732982 (9007314-1009)	Screw	4

U2	F32	99-30		503925	4-way valve assembly	1
	F324	99-30		730036	O-ring	2
	G36	99-30	03-07	364968	O-ring (SB-2002-001)	1
	G38	99-30	03-07	792739	O-ring (SB-2002-001)	3
	G42	99-30	03-07	754580	O-ring (SB-2002-001)	3
	G420	03-08		511810	Gasket/O-ring seal (SB-2002-001)	1
	M1	99-30		509537	Solenoid valve, 24 volt, DIN connector	1
	M12	99-30		507292	Piston	1
	M16	99-30		515965 (9005110-5600)	Plug	1
	M16A	99-30		085043 (9004201-3700)	O-ring	1
	M18	99-30		504519	Plug	1
	M18A	99-30		039297 (9004201-1200)	O-ring	1
	M22	99-30		732982 (9007314-1009)	Screw	4

ELECTRIC-HYDRAULIC PROPORTIONAL

Y7	F32	01-01		727115	4-way valve assembly	1
	F324	01-01		730036	O-ring	2
	G36	01-01	03-07	364968	O-ring (SB-2002-001)	1
	G38	01-01	03-07	792739	O-ring (SB-2002-001)	3
	G42	01-01	03-07	754580	O-ring (SB-2002-001)	3
	G420	03-08		511810	Gasket/O-ring seal (SB-2002-001)	1
	M1	01-01		518080	Solenoid valve, 12 volt, Jet connector	1
	M1Q1	01-01		519577	Control kit	1
	M15	01-01		067694	Screw	2
	M22	01-01		515965 (9005110-5600)	Plug	4
	M22A	01-01		085043 (9004201-3700)	O-ring	4
	M23	01-01		504519	Plug	10
	M23A	01-01		039297 (9004201-1200)	O-ring	10
	M40	01-01		718833	Spool	1
	M50	0101		578542	Orifice, 0.8, M6 x 8	2
	M150	01-01		672295	Screw	2
	M151	01-01		502580	Screw	2



E100 309E

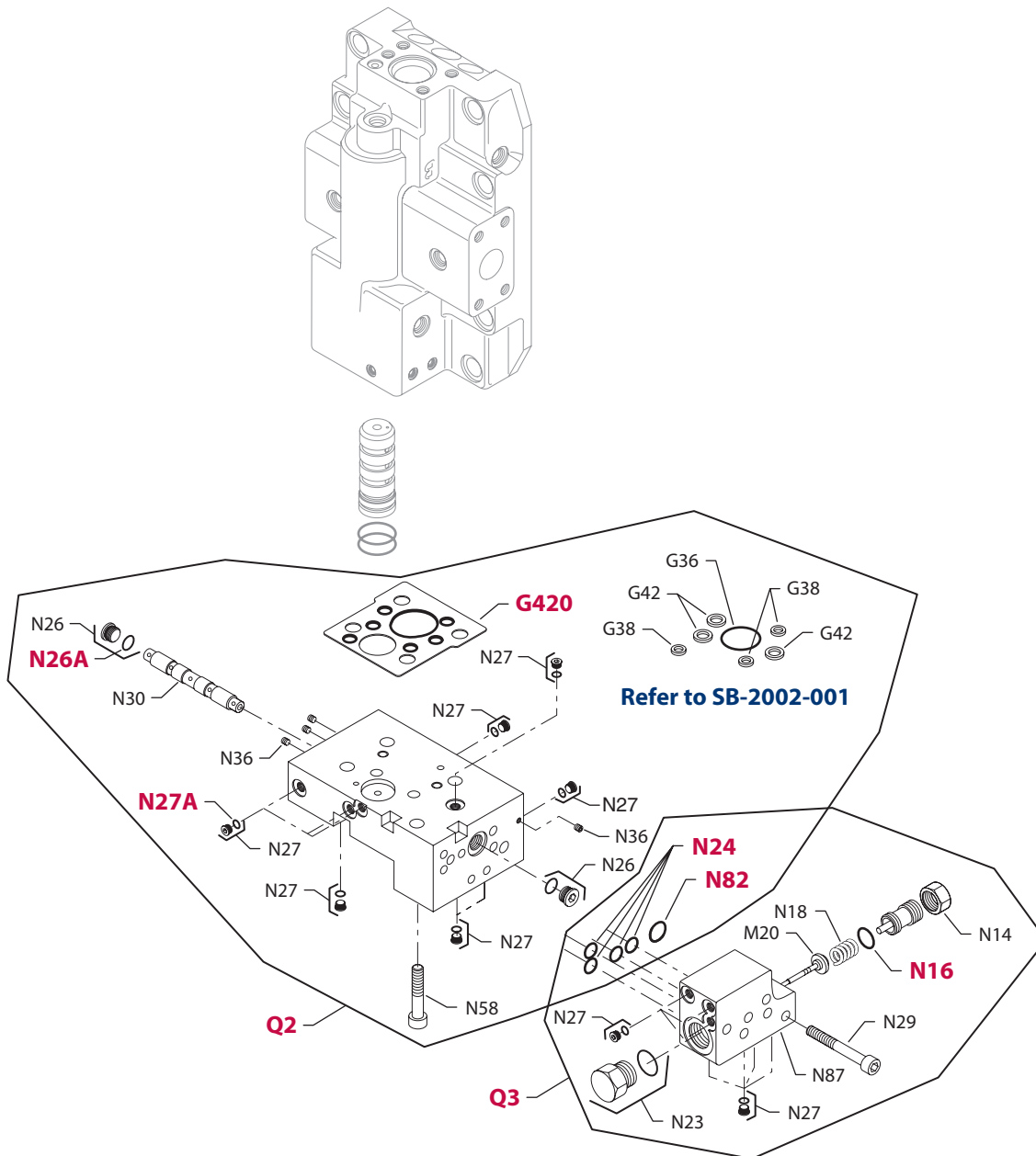
Enlarged **bold** type item numbers are recommended part to stock for servicing.

SERVO PRESSURE SUPPLY

Order code	Item	Date begin	Date end	Part number	Part name	Qty. per model/kit
A1 & A3	G36	91-26	03-07	364968	O-ring (SB-2002-001)	1
	G38	91-26	03-07	792739	O-ring (SB-2002-001)	3
	G42	91-26	03-07	754580	O-ring (SB-2002-001)	3
	G420	03-08		511810	Gasket/O-ring seal (SB-2002-001)	1
	N14	91-26		342709 (9003575-0101)	Nut	1
	N16	91-26		001149 (9004201-6200)	O-ring	1
	N18	91-26		509152	Spring	1
	N20	91-26		746016	Relief valve	1
	N23	91-26		315325 (9005110-8700)	Plug	1
	N23A	91-26		001149 (9004201-6200)	O-ring	1
	N24	91-26		732479 (9004105-0100)	O-ring	4
	N26	91-26		515965 (9005110-5600)	Plug	3
	N26A	91-26		085043 (9004201-3700)	O-ring	3
	N27	91-26		504519	Plug	18
	N27A	91-26		039297 (9004201-1200)	O-ring	18
	N29	91-26		713719 (9007314-0610)	Screw	4
	N30	91-26		718833	Shuttle valve assembly	1
	N32	91-26		346080	Spool	1
	N36	91-26		092114 (9007712-0604)	Set screw	4
	N58	91-26		732982	Screw	4
	N82	91-26		732479 (9004105-0100)	O-ring	1
	N84	91-26		735266	Stop assembly	2
	N84A	91-26		039297 (9004201-1200)	O-ring	2
	N87	91-26		503887	PCOR housing assembly	1
	Q3	91-26		503610	PCOR kit, 100-260 bar	1
	Q3	91-26		503612	PCOR kit, 270-370 bar	1

A1 AND A3 SERVO PRESSURE SUPPLY KITS USED WITH VARIOUS CONTROL OPTIONS

Control code	Item	Date begin	Date end	Part number	Part name	Qty. per model/kit
E1	Q2	91-26		503594	Multi-function block kit	1
E2	Q2	91-26		503594	Multi-function block kit	1
E5	Q2	91-26		503594	Multi-function block kit	1
EP	Q2	91-26		506924	Multi-function block kit	1
EQ	Q2	91-26		506924	Multi-function block kit	1
ER	Q2	91-26		503594	Multi-function block kit	1
F1	Q2	91-26		503594	Multi-function block kit	1
F2	Q2	91-26		503594	Multi-function block kit	1
H1	Q2	91-26		506924	Multi-function block kit	1
H2	Q2	91-26		506924	Multi-function block kit	1
HP	Q2	91-26		503570	Multi-function block kit	1
HS	Q2	91-26		503570	Multi-function block kit	1
K1	Q2	91-26		506924	Multi-function block kit	1
K2	Q2	91-26		506924	Multi-function block kit	1



E100 310E

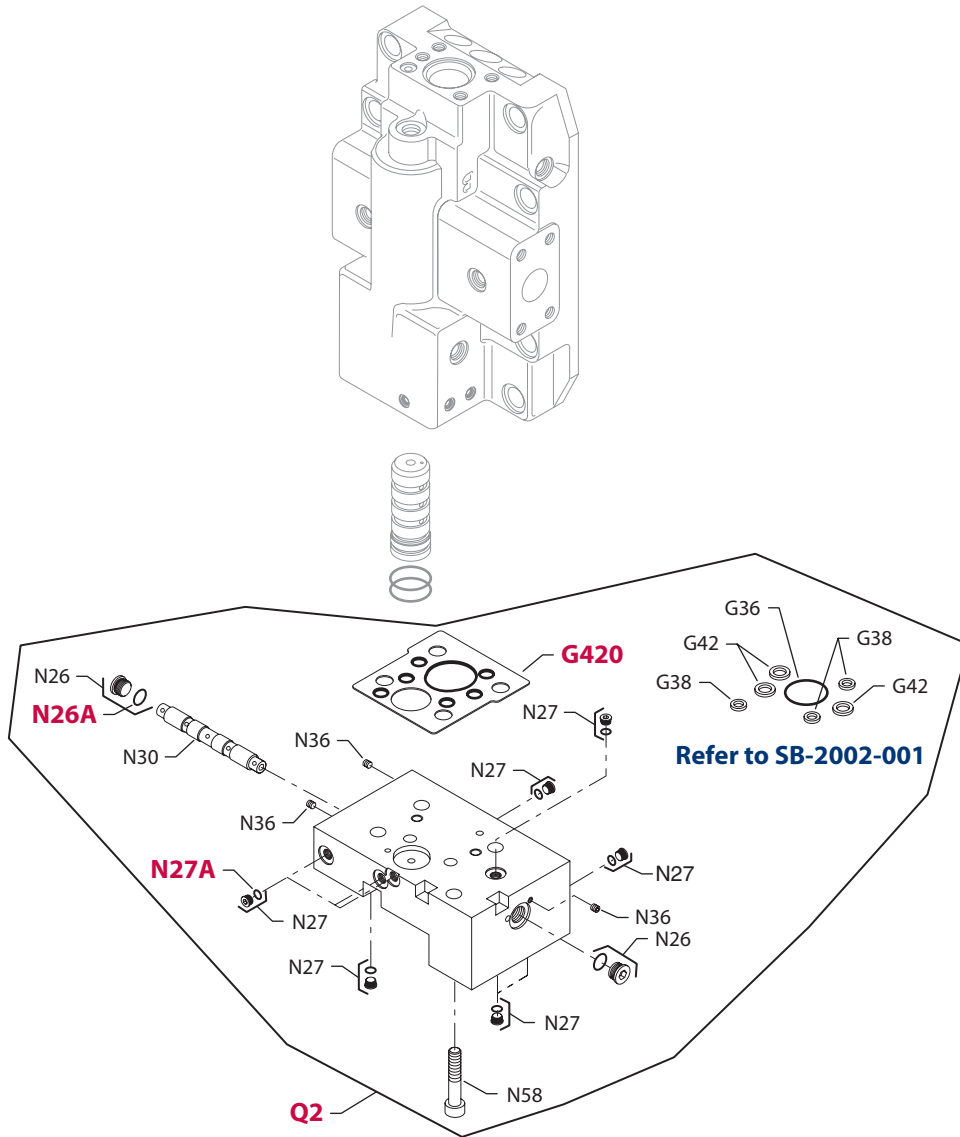
Enlarged **bold** type item numbers are recommended part to stock for servicing.

SERVO PRESSURE SUPPLY

Order code	Item	Date begin	Date end	Part number	Part name	Qty. per model/kit
A2 & A4	G36	91-26	03-07	364968	O-ring (SB-2002-001)	1
	G38	91-26	03-07	792739	O-ring (SB-2002-001)	3
	G42	91-26	03-07	754580	O-ring (SB-2002-001)	3
	G420	03-08		511810	Gasket/O-ring seal (SB-2002-001)	1
	N14	91-26		342709 (9003575-0101)	Nut	1
	N16	91-26		001149 (9004201-6200)	O-ring	1
	N18	91-26		509152	Spring	1
	N20	91-26		746016	Relief valve	1
	N23	91-26		315325 (9005110-8700)	Plug	1
	N23A	91-26		001149 (9004201-6200)	O-ring	1
	N24	91-26		732479 (9004105-0100)	O-ring	4
	N26	91-26		515965 (9005110-5600)	Plug	2
	N26A	91-26		085043 (9004201-3700)	O-ring	2
	N27	91-26		504519	Plug	16
	N27A	91-26		039297 (9004201-1200)	O-ring	16
	N29	91-26		713719 (9007314-0610)	Screw	4
	N30	91-26		718833	Shuttle valve assembly	1
	N36	91-26		092114 (9007712-0604)	Set screw	4
	N58	91-26		732982	Screw	4
	N82	91-26		732479 (9004105-0100)	O-ring	1
	N87	91-26		503887	PCOR housing assembly	1
	Q3	91-26		503610	PCOR kit, 100-260 bar	1
	Q3	91-26		503612	PCOR kit, 270-370 bar	1

A2 AND A4 SERVO PRESSURE SUPPLY KITS USED WITH VARIOUS CONTROL OPTIONS

Control code	Item	Date begin	Date end	Part number	Part name	Qty. per model/kit
E1	Q2	91-26		503577	Multi-function block kit	1
E2	Q2	91-26		503577	Multi-function block kit	1
E5	Q2	91-26		503577	Multi-function block kit	1
EP	Q2	91-26		506921	Multi-function block kit	1
EQ	Q2	91-26		506921	Multi-function block kit	1
ER	Q2	91-26		503577	Multi-function block kit	1
F1	Q2	91-26		503577	Multi-function block kit	1
F2	Q2	91-26		503577	Multi-function block kit	1
H1	Q2	91-26		506921	Multi-function block kit	1
H2	Q2	91-26		506921	Multi-function block kit	1
HP	Q2	91-26		503568	Multi-function block kit	1
HS	Q2	91-26		503568	Multi-function block kit	1
K1	Q2	91-26		506921	Multi-function block kit	1
K2	Q2	91-26		506921	Multi-function block kit	1



E100 312E

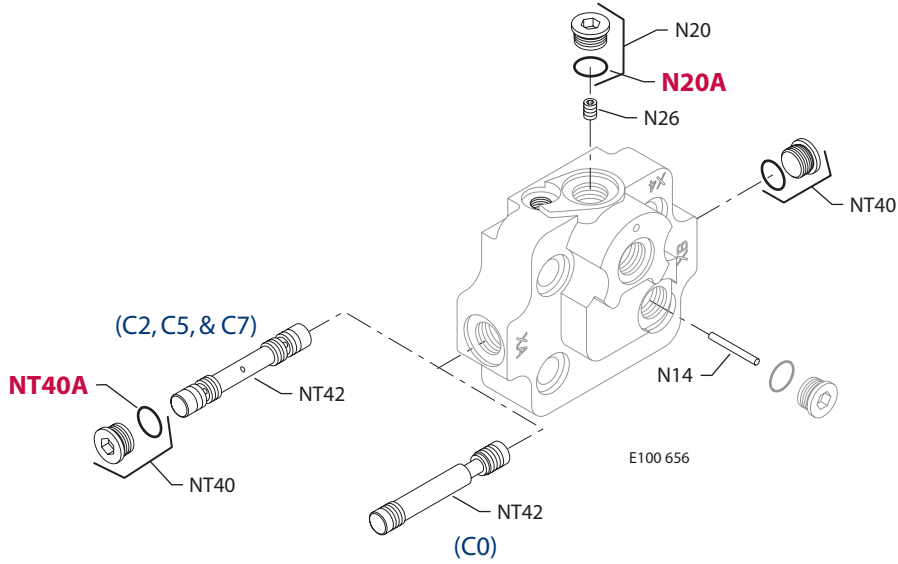
Enlarged **bold** type item numbers are recommended part to stock for servicing.

SERVO PRESSURE SUPPLY

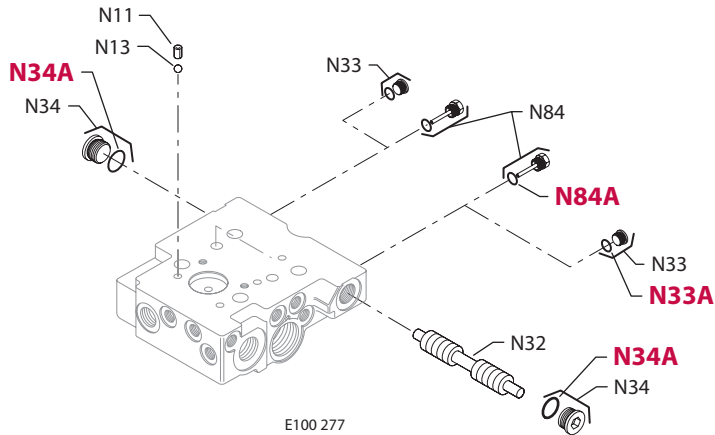
Order code	Item	Date begin	Date end	Part number	Part name	Qty. per model/kit
A5 & A6	G36	91-26	03-07	364968	O-ring (SB-2002-001)	1
	G38	91-26	03-07	792739	O-ring (SB-2002-001)	3
	G42	91-26	03-07	754580	O-ring (SB-2002-001)	3
	G420	03-08		511810	Gasket/O-ring seal (SB-2002-001)	1
	N26	91-26		515965 (9005110-5600)	Plug	2
	N26A	91-26		085043 (9004201-3700)	O-ring	2
	N27	91-26		504519	Plug	4
	N27A	91-26		039297 (9004201-1200)	O-ring	4
	N30	91-26		718833	Shuttle valve assembly	1
	N36	91-26		092114 (9007712-0604)	Set screw	3
	N58	91-26		732982	Screw	4

A5 AND A6 SERVO PRESSURE SUPPLY KITS USED WITH VARIOUS CONTROL OPTIONS

Control code	Item	Date begin	Date end	Part number	Part name	Qty. per model/kit
E1	Q2	91-26		503590	Multi-function block kit	1
E2	Q2	91-26		503590	Multi-function block kit	1
E5	Q2	91-26		503590	Multi-function block kit	1
EP	Q2	91-26		503586	Multi-function block kit	1
EQ	Q2	91-26		503586	Multi-function block kit	1
ER	Q2	91-26		503590	Multi-function block kit	1
F1	Q2	91-26		503590	Multi-function block kit	1
F2	Q2	91-26		503590	Multi-function block kit	1
H1	Q2	91-26		503586	Multi-function block kit	1
H2	Q2	91-26		503586	Multi-function block kit	1
HP	Q2	91-26		503582	Multi-function block kit	1
HS	Q2	91-26		503582	Multi-function block kit	1
K1	Q2	91-26		503586	Multi-function block kit	1
K2	Q2	91-26		503586	Multi-function block kit	1



C0, C2, C5, and C7



K1, K2, and K3

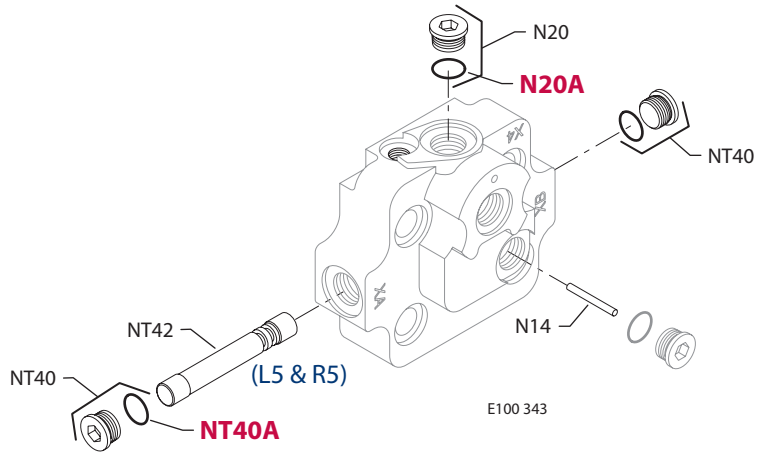
Enlarged **bold** type item numbers are recommended part to stock for servicing.

SERVO PRESSURE SUPPLY

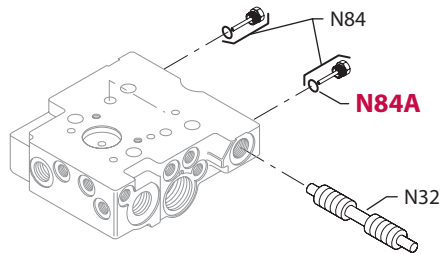
Order code	Item	Date begin	Date end	Part number	Part name	Qty. per model/kit
B1 & B2				No parts		
C0	N14	96-10		503503	Pin	1
	N20	96-10		515965 (9005110-5600)	Plug	1
	N20A	96-10		085043 (9004201-3700)	O-ring	1
	NT42	96-10		508175	Spool	1
C2	N20	95-15		515965 (9005110-5600)	Plug	1
	N20A	95-15		085043 (9004201-3700)	O-ring	1
	NT40	95-15		515965 (9005110-5600)	Plug	2
	NT40A	95-15		085043 (9004201-3700)	O-ring	2
	NT42	95-15		508156	Spool	1
C5	N20	95-15		515965 (9005110-5600)	Plug	1
	N20A	95-15		085043 (9004201-3700)	O-ring	1
	N26	96-31		913897 (9007712-0605)	Set screw	1
	NT40	95-15		515965 (9005110-5600)	Plug	2
	NT40A	95-15		085043 (9004201-3700)	O-ring	2
	NT42	95-15		508156	Spool	1
C7	N26	02-45		913897	Set screw	1
	NT40	02-45		515965 (9005110-5600)	Plug	2
	NT40A	02-45		085043 (9004201-3700)	O-ring	2
	NT42	02-45		508156	Spool	1
K1	N11	95-24		505522	Slotted pin	1
	N13	95-24		915967	Ball	1
	N32	95-24		346080	Spool	1
	N84	95-24		735266	Stop assembly	2
	N84A	95-24		039297 (9004201-1200)	O-ring	2
K2	N11	95-24		505522	Slotted pin	1
	N13	95-24		915967	Ball	1
	N32	95-24		505462	Spool	1
	N33	95-24		504519	Plug	2
	N33A	95-24		039297 (9004201-1200)	O-ring	2
	N34	95-15		515965 (9005110-5600)	Plug	2
	N34A	95-15		085043 (9004201-3700)	O-ring	2
K3	N11	95-24		505522	Slotted pin	1
	N13	95-24		915967	Ball	1
	N33	95-24		504519	Plug	2
	N33A	95-24		039297 (9004201-1200)	O-ring	2
	N34	95-24		515965 (9005110-5600)	Plug	2
	N34A	95-24		085043 (9004201-3700)	O-ring	2

SERVO PRESSURE SUPPLY

Order code	Item	Date begin	Date end	Part number	Part name	Qty. per model/kit
K4	N11	95-10		505522	Slotted pin	1
	N13	95-10		915967	Ball	1
	N33	95-10		504519	Plug	2
	N33A	95-10		039297 (9004201-1200)	O-ring	2
	N34	95-10		515965 (9005110-5600)	Plug	2
	N34A	95-10		085043 (9004201-3700)	O-ring	2
K5	N32	96-48		346080	Spool	1
	N84	96-48		735266	Stop assembly	2
	N84A	96-48		039297 (9004201-1200)	O-ring	2
L2, L4, R2 & R4	G36	91-26	03-07	364968	O-ring (SB-2002-001)	1
	G38	91-26	03-07	792739	O-ring (SB-2002-001)	3
	G42	91-26	03-07	754580	O-ring (SB-2002-001)	3
	G420	03-08		511810	Gasket/O-ring seal (SB-2002-001)	1
	N14	91-26		342709 (9003575-0101)	Nut	1
	N16	91-26		001149 (9004201-6200)	O-ring	1
	N18	91-26		509152	Spring	1
	N20	91-26		746016	Relief valve	1
	N23	91-26		315325 (9005110-8700)	Plug	1
	N23A	91-26		001149 (9004201-6200)	O-ring	1
	N24	91-26		732479 (9004105-0100)	O-ring	4
	N26	91-26		515965 (9005110-5600)	Plug	3
	N26A	91-26		085043 (9004201-3700)	O-ring	3
	N27	91-26		504519	Plug	18
	N27A	91-26		039297 (9004201-1200)	O-ring	18
	N28	91-26		515965 (9005110-5600)	Plug	2
	N28A	91-26		085043 (9004201-3700)	O-ring	2
	N29	91-26		713719 (9007314-0610)	Screw	4
	N30	91-26		718833	Shuttle valve assembly	1
	N36	91-26		092114 (9007712-0604)	Set screw	4
	N58	91-26		732982	Screw	4
	N82	91-26		732479 (9004105-0100)	O-ring	1
	N84	91-26		504519	Plug	2
	N84A	91-26		039297 (9004201-1200)	O-ring	2
	N87	91-26		503887	PCOR housing assembly	1
	Q3	91-26		503610	PCOR kit, 100-260 bar	1
	Q3	91-26		503612	PCOR kit, 270-370 bar	1



L5, and R5

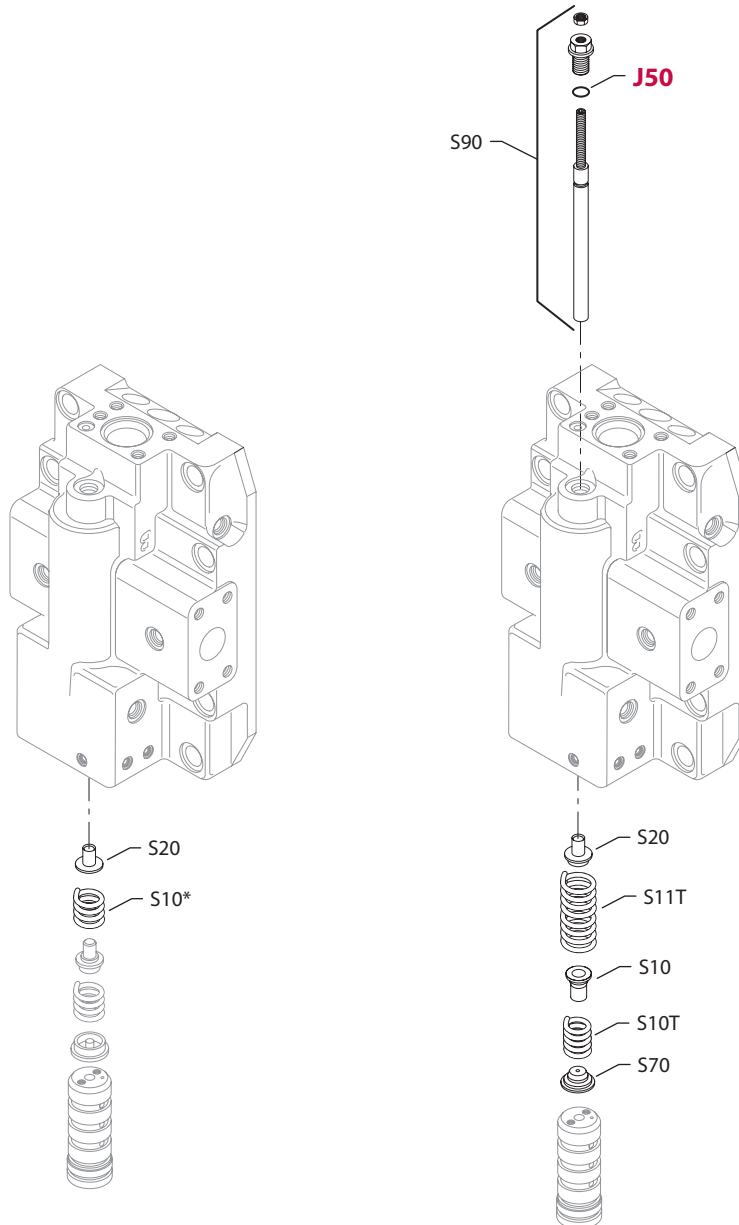


M1

Enlarged **bold** type item numbers are recommended part to stock for servicing.

SERVO PRESSURE SUPPLY

Order code	Item	Date begin	Date end	Part number	Part name	Qty. per model/kit
L5 & R5	N14	96-31		503503	Pin	1
	N20	96-31		515965 (9005110-5600)	Plug	1
	N20A	96-31		085043 (9004201-3700)	O-ring	1
	NT40	96-31		515965 (9005110-5600)	Plug	2
	NT40A	96-31		085043 (9004201-3700)	O-ring	2
	NT42	96-31		507782	Spool	1
M1	N32	92-33		346080	Spool	1
	N84	92-33		735266	Stop assembly	2
	N84A	92-33		039297 (9004201-1200)	O-ring	2
NN				No parts		

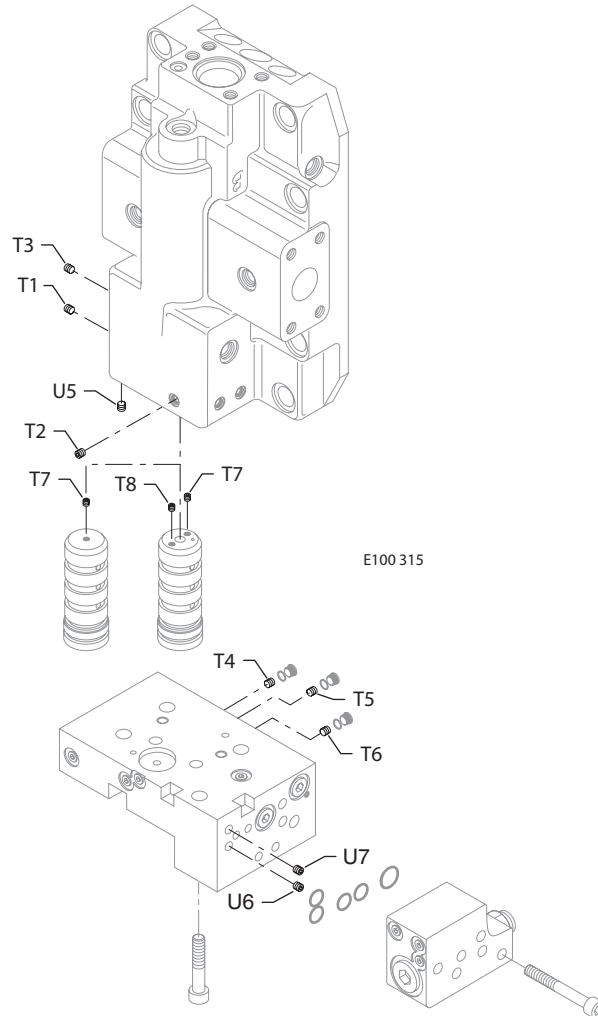


E100 314

Enlarged **bold** type item numbers are recommended part to stock for servicing.

CONTROL RAMP

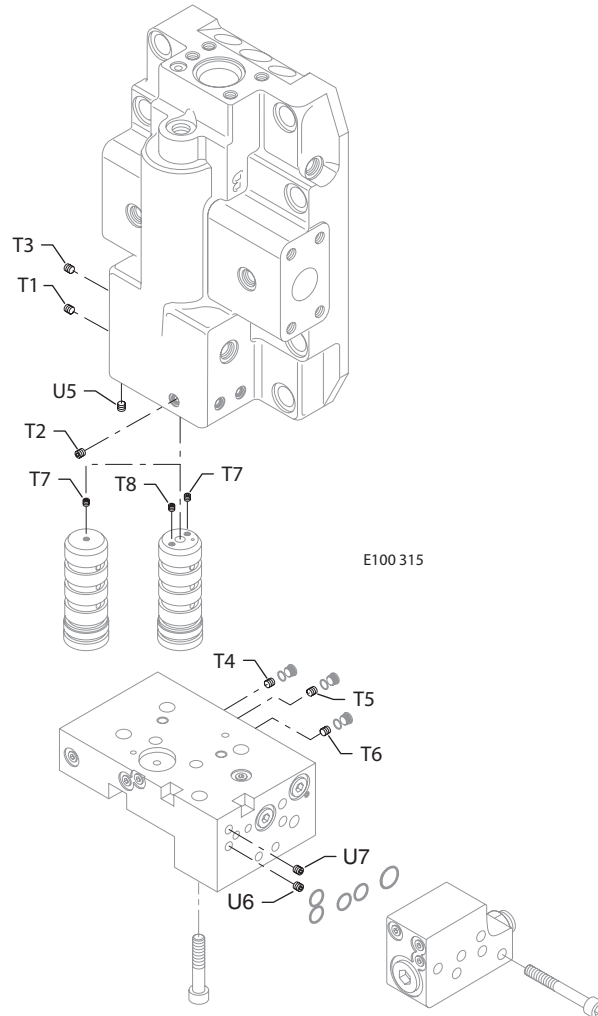
Order code	Item	Date begin	Date end	Part number	Part name	Qty. per model/kit
A & B	S10E	95-36		721365	Spring	1
	S20	95-36		724500	Spring guide	1
D	S10D	91-26		721373	Spring	1
	S20	91-26		722256	Spring guide	1
E	S10E	91-26		721365	Spring	1
	S20	91-26		724500	Spring guide	1
G	S10G	91-26		721241	Spring	1
	S20	91-26		722256	Spring guide	1
H	S10Y	91-26		721399	Spring	1
	S20	91-26		722256	Spring guide	1
J	S10Y	99-35		721399	Spring	1
	S20	99-35		722256	Spring guide	1
K	S10Y	99-35		721399	Spring	1
	S20	99-35		722256	Spring guide	1
L	S10L	91-26		721365	Spring	1
	S20	91-26		724500	Spring guide	1
N				No parts		
T	J50	93-40		732479 (9004105-0100)	O-ring	1
	S10	93-40		738674	Spring guide	1
	S10T	93-40		737270	Spring	1
	S11T	93-40		737288	Spring	1
	S20	93-40		735910	Spring guide	1
	S70	93-40		737551	Spring seat	1
	S90	93-40		507672	Threshold adjust screw assembly	1
U	S10U	91-26		721381	Spring	1
	S20	91-26		722256	Spring guide	1
Y	S10Y	91-26		721399	Spring	1
	S20	91-26		722256	Spring guide	1
Z	S10Z	91-26		721407	Spring	1
	S20	91-26		722256	Spring guide	1



Enlarged **bold** type item numbers are recommended part to stock for servicing.

ORIFICE

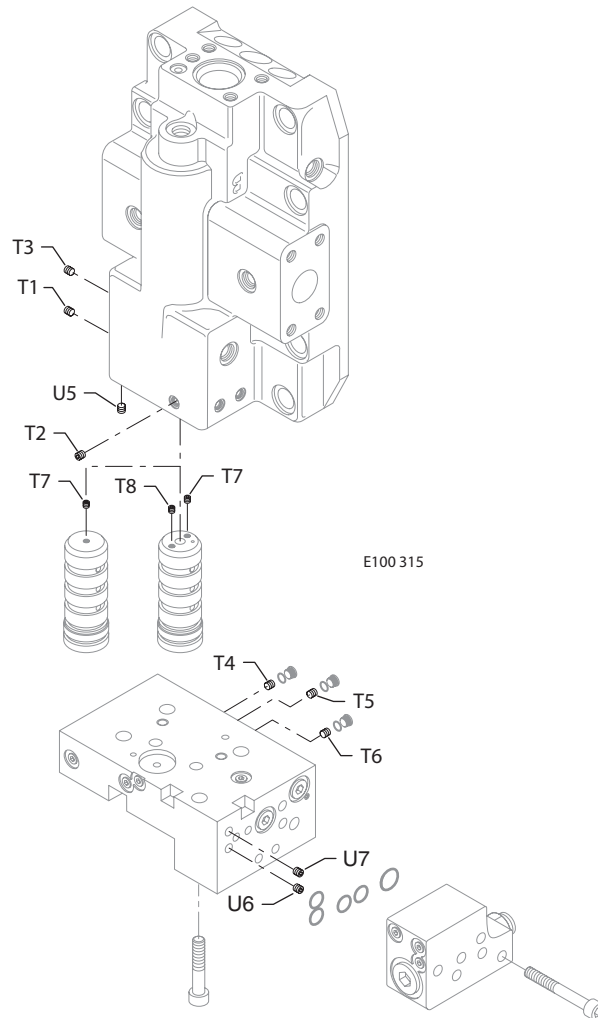
Order code	Item	Date begin	Date end	Part number	Part name	Qty. per model/kit
A0	T1	92.38		913897 (9007712-0605)	Set screw	1
	T2	92.38		913897 (9007712-0605)	Set screw	1
	T3	92.38		913897 (9007712-0605)	Set screw	1
A1	T1	92-33		739128	Orifice. 0.5, M6 x 6	1
	T2	92-33		739144	Orifice. 0.8, M6 x 6	1
	T3	92-33		739144	Orifice. 0.8, M6 x 6	1
	T4	92-33		092114 (9007712-0604)	Set screw	1
	T5	92-33		578542	Orifice. 0.8, M6 x 8	1
	T6	92-33		092114 (9007712-0604)	Set screw	1
	T7	92-33		639096	Orifice. 0.6, M5 x 6	1
	T8	92-33		639096	Orifice. 0.6, M5 x 6	1
A2	T1	92-33		679316	Orifice. 0.5, M6 x 8	1
	T2	92-33		578542	Orifice. 0.8, M6 x 8	1
	T3	92-33		578542	Orifice. 0.8, M6 x 8	1
	T4	92-33		578542	Orifice. 0.8, M6 x 8	1
	T5	92-33		913897 (9007712-0605)	Set screw	1
	T6	92-33		578542	Orifice. 0.8, M6 x 8	1
	T7	92-33		639096	Orifice. 0.6, M5 x 6	1
	T8	92-33		639096	Orifice. 0.6, M5 x 6	1
A3	T1	92-33		739128	Orifice. 0.5, M6 x 6	1
	T2	92-33		739144	Orifice. 0.8, M6 x 6	1
	T3	92-33		739144	Orifice. 0.8, M6 x 6	1
	T4	92-33		578542	Orifice. 0.8, M6 x 8	1
	T5	92-33		092114 (9007712-0604)	Set screw	1
	T6	92-33		578542	Orifice. 0.8, M6 x 8	1
	T7	92-33		639096	Orifice. 0.6, M5 x 6	1
	T8	92-33		639096	Orifice. 0.6, M5 x 6	1
A4	T1	92-33		739128	Orifice. 0.5, M6 x 6	1
	T2	92-33		739144	Orifice. 0.8, M6 x 6	1
	T3	92-33		739144	Orifice. 0.8, M6 x 6	1
	T4	92-33		092114 (9007712-0604)	Set screw	1
	T5	92-33		092114 (9007712-0604)	Set screw	1
	T6	92-33		092114 (9007712-0604)	Set screw	1
	T7	92-33		639096	Orifice. 0.6, M5 x 6	1
	T8	92-33		639096	Orifice. 0.6, M5 x 6	1
A6	T1	92-33		679316	Orifice. 0.5, M6 x 8	1
	T2	92-33		578542	Orifice. 0.8, M6 x 8	1
	T3	92-33		578542	Orifice. 0.8, M6 x 8	1
	T7	92-33		639096	Orifice. 0.6, M5 x 6	1
	T8	92-33		639096	Orifice. 0.6, M5 x 6	1



Enlarged **bold** type item numbers are recommended part to stock for servicing.

ORIFICE

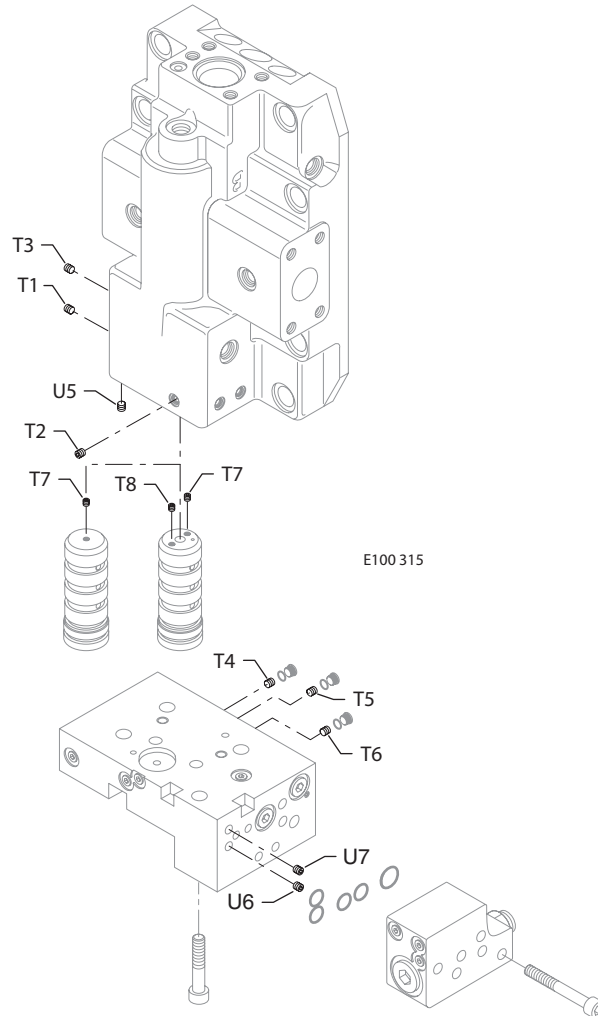
Order code	Item	Date begin	Date end	Part number	Part name	Qty. per model/kit
A7	T1	92-33		679316	Orifice. 0.5, M6 x 8	1
	T2	92-33		578542	Orifice. 0.8, M6 x 8	1
	T3	92-33		578542	Orifice. 0.8, M6 x 8	1
	T5	92-33		578542	Orifice. 0.8, M6 x 8	1
	T7	92-33		639096	Orifice. 0.6, M5 x 6	1
	T8	92-33		639096	Orifice. 0.6, M5 x 6	1
	A8	T1	92-33		679316	Orifice. 0.5, M6 x 8
T2		92-33		578542	Orifice. 0.8, M6 x 8	1
T3		92-33		578542	Orifice. 0.8, M6 x 8	1
T4		92-33		913897 (9007712-0605)	Set screw	1
T5		92-33		913897 (9007712-0605)	Set screw	1
T6		92-33		578542	Orifice. 0.8, M6 x 8	1
T7		92-33		639096	Orifice. 0.6, M5 x 6	1
T8		92-33		639096	Orifice. 0.6, M5 x 6	1
A9	T1	92-33		679316	Orifice. 0.5, M6 x 8	1
	T2	92-33		578542	Orifice. 0.8, M6 x 8	1
	T3	92-33		578542	Orifice. 0.8, M6 x 8	1
	T7	92-33		639096	Orifice. 0.6, M5 x 6	1
	T8	92-33		639096	Orifice. 0.6, M5 x 6	1
	U5	92-33		913897 (9007712-0605)	Set screw	1
B1	T1	92-33		044081	Orifice. 0.7, M6 x 8	1
	T2	92-33		578542	Orifice. 0.8, M6 x 8	1
	T3	92-33		578542	Orifice. 0.8, M6 x 8	1
	T7	92-33		639096	Orifice. 0.6, M5 x 6	1
	T8	92-33		639096	Orifice. 0.6, M5 x 6	1
	B4	T1	92-33		739128	Orifice. 0.5, M6 x 6
T2		92-33		739144	Orifice. 0.8, M6 x 6	1
T3		92-33		739144	Orifice. 0.8, M6 x 6	1
T7		92-33		639096	Orifice. 0.6, M5 x 6	1
T8		92-33		639096	Orifice. 0.6, M5 x 6	1
B6		T1	92-33		679316	Orifice. 0.5, M6 x 8
	T2	92-33		578542	Orifice. 0.8, M6 x 8	1
	T3	92-33		578542	Orifice. 0.8, M6 x 8	1
	T4	92-33		578542	Orifice. 0.8, M6 x 8	1
	T5	92-33		913897 (9007712-0605)	Set screw	1
	T6	92-33		913897 (9007712-0605)	Set screw	1
	T7	92-33		639096	Orifice. 0.6, M5 x 6	1
	T8	92-33		639096	Orifice. 0.6, M5 x 6	1



Enlarged **bold** type item numbers are recommended part to stock for servicing.

ORIFICE

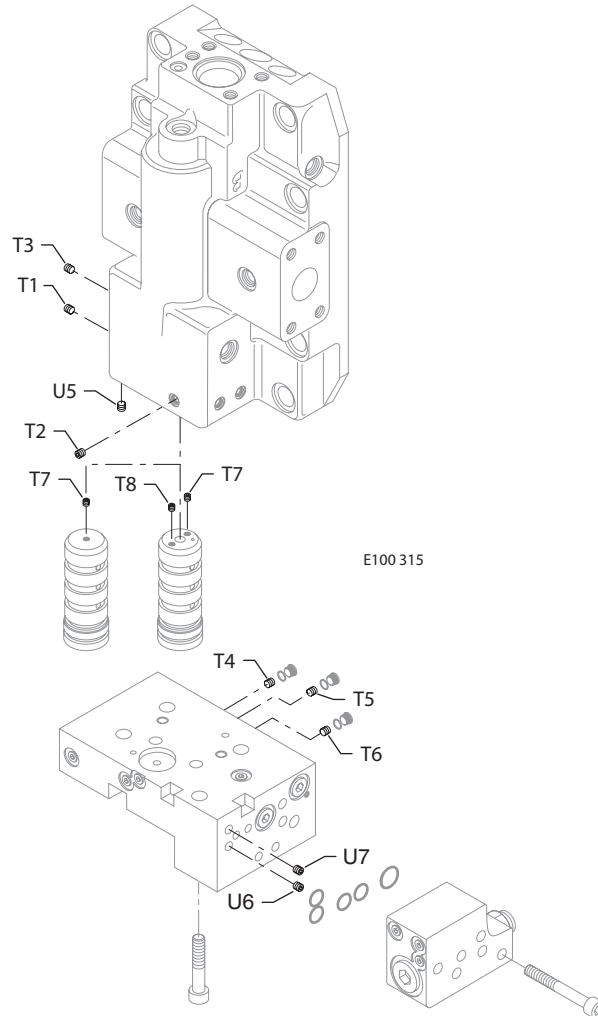
Order code	Item	Date begin	Date end	Part number	Part name	Qty. per model/kit
B9	T1	92-33		679316	Orifice.0.5, M6 x 8	1
	T2	92-33		679316	Orifice.0.5, M6 x 8	1
	T3	92-33		679316	Orifice.0.5, M6 x 8	1
	T4	92-33		578542	Orifice.0.8, M6 x 8	1
	T5	92-33		913897 (9007712-0605)	Set screw	1
	T6	92-33		578542	Orifice.0.8, M6 x 8	1
	T7	92-33		639096	Orifice.0.6, M5 x 6	1
	T8	92-33		639096	Orifice.0.6, M5 x 6	1
U5	U5	92-33		913897 (9007712-0605)	Set screw	1
	U6	92-33		511825	Orifice.0.6, M6 x 8	1
	U7	92-33		511825	Orifice.0.6, M6 x 8	1
C0			No parts			
C1	T1	92-33		679316	Orifice.0.5, M6 x 8	1
	T2	92-33		578542	Orifice.0.8, M6 x 8	1
	T3	92-33		578542	Orifice.0.8, M6 x 8	1
	T4	92-33		913897 (9007712-0605)	Set screw	1
	T5	92-33		578542	Orifice.0.8, M6 x 8	1
	T6	92-33		913897 (9007712-0605)	Set screw	1
	T7	92-33		639096	Orifice.0.6, M5 x 6	1
	T8	92-33		639096	Orifice.0.6, M5 x 6	1
C2	T1	92-33		679316	Orifice.0.5, M6 x 8	1
	T2	92-33		578542	Orifice.0.8, M6 x 8	1
	T3	92-33		578542	Orifice.0.8, M6 x 8	1
	T7	92-33		639096	Orifice.0.6, M5 x 6	1
	T8	92-33		639096	Orifice.0.6, M5 x 6	1
C5	T1	92-33		679316	Orifice.0.5, M6 x 8	1
	T2	92-33		578542	Orifice.0.8, M6 x 8	1
	T3	92-33		578542	Orifice.0.8, M6 x 8	1
	T5	92-33		578542	Orifice.0.8, M6 x 8	1
	T7	92-33		639096	Orifice.0.6, M5 x 6	1
	T8	92-33		639096	Orifice.0.6, M5 x 6	1
	U5	92-33		913897 (9007712-0605)	Set screw	1
	U6	92-33		511825	Orifice.0.6, M6 x 8	1
U7	92-33		511825	Orifice.0.6, M6 x 8	1	
C7	T1	92-33		679316	Orifice.0.5, M6 x 8	1
	T2	92-33		578542	Orifice.0.8, M6 x 8	1
	T3	92-33		578542	Orifice.0.8, M6 x 8	1
	T4	92-33		578542	Orifice.0.8, M6 x 8	1
	T5	92-33		913897 (9007712-0605)	Set screw	1
	T6	92-33		913897 (9007712-0605)	Set screw	1
	T7	92-33		639096	Orifice.0.6, M5 x 6	1
	T8	92-33		639096	Orifice.0.6, M5 x 6	1
	U5	92-33		913897 (9007712-0605)	Set screw	1



Enlarged **bold** type item numbers are recommended part to stock for servicing.

ORIFICE

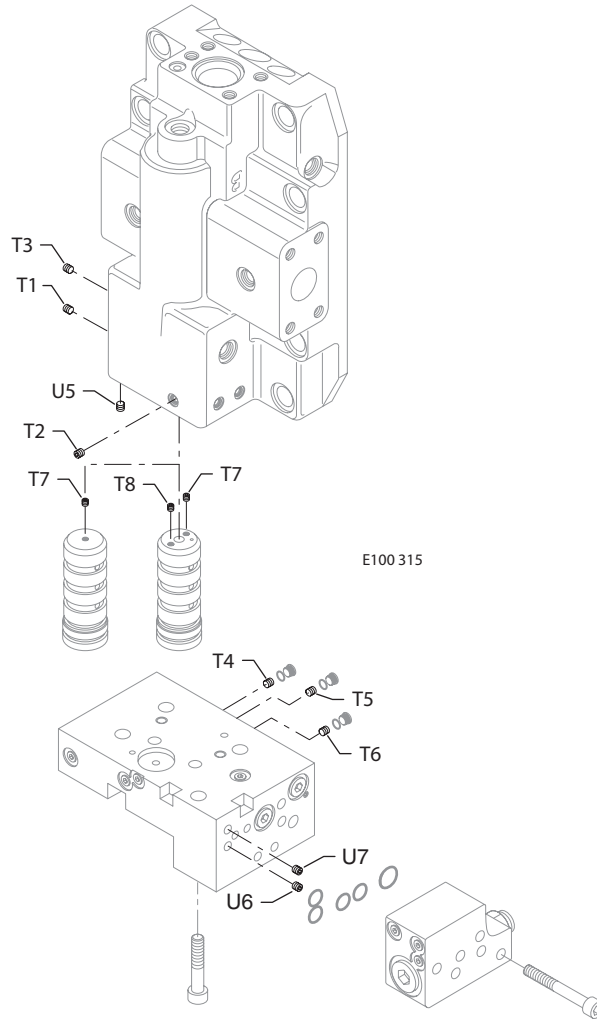
Order code	Item	Date begin	Date end	Part number	Part name	Qty. per model/kit
C8	T1	92-33		679316	Orifice, 0.5, M6 x 8	1
	T2	92-33		578542	Orifice, 0.8, M6 x 8	1
	T3	92-33		578542	Orifice, 0.8, M6 x 8	1
	T4	92-33		913897 (9007712-0605)	Set screw	1
	T5	92-33		913897 (9007712-0605)	Set screw	1
	T6	92-33		578542	Orifice, 0.8, M6 x 8	1
	T7	92-33		639096	Orifice, 0.6, M5 x 6	1
	T8	92-33		639096	Orifice, 0.6, M5 x 6	1
	U5	92-33		913897 (9007712-0605)	Set screw	1
D3	T1	92-33		578542	Orifice, 0.8, M6 x 8	1
	T2	92-33		511825	Orifice, 0.6, M6 x 8	1
	T3	92-33		511825	Orifice, 0.6, M6 x 8	1
	T4	92-33		913897 (9007712-0605)	Set screw	1
	T5	92-33		913897 (9007712-0605)	Set screw	1
	T6	92-33		578542	Orifice, 0.8, M6 x 8	1
	T7	92-33		639096	Orifice, 0.6, M5 x 6	1
	T8	92-33		639096	Orifice, 0.6, M5 x 6	1
	U5	92-33		913897 (9007712-0605)	Set screw	1
	U6	92-33		511825	Orifice, 0.6, M6 x 8	1
	U7	92-33		511825	Orifice, 0.6, M6 x 8	1
D5	T1	92-33		578542	Orifice, 0.8, M6 x 8	1
	T2	92-33		511825	Orifice, 0.6, M6 x 8	1
	T3	92-33		511825	Orifice, 0.6, M6 x 8	1
	T4	92-33		578542	Orifice, 0.8, M6 x 8	1
	T5	92-33		913897 (9007712-0605)	Set screw	1
	T6	92-33		913897 (9007712-0605)	Set screw	1
	T7	92-33		639096	Orifice, 0.6, M5 x 6	1
	T8	92-33		639096	Orifice, 0.6, M5 x 6	1
	U5	92-33		913897 (9007712-0605)	Set screw	1
	U6	92-33		511825	Orifice, 0.6, M6 x 8	1
	U7	92-33		511825	Orifice, 0.6, M6 x 8	1
D7	T1	92-33		578542	Orifice, 0.8, M6 x 8	1
	T2	92-33		578542	Orifice, 0.8, M6 x 8	1
	T3	92-33		578542	Orifice, 0.8, M6 x 8	1
	T7	92-33		511825	Orifice, 0.6, M6 x 8	1
	T8	92-33		511825	Orifice, 0.6, M6 x 8	1
	U7	92-33		044081	Orifice, 0.7, M6 x 8	1
	E1	T1	92-33		679316	Orifice, 0.5, M6 x 8
T2		92-33		578542	Orifice, 0.8, M6 x 8	1
T3		92-33		578542	Orifice, 0.8, M6 x 8	1
T5		92-33		578542	Orifice, 0.8, M6 x 8	1
T7		92-33		639096	Orifice, 0.6, M5 x 6	1
T8		92-33		639096	Orifice, 0.6, M5 x 6	1
U6		92-33		044081	Orifice, 0.7, M6 x 8	1
U7		92-33		044081	Orifice, 0.7, M6 x 8	1



Enlarged **bold** type item numbers are recommended part to stock for servicing.

ORIFICE

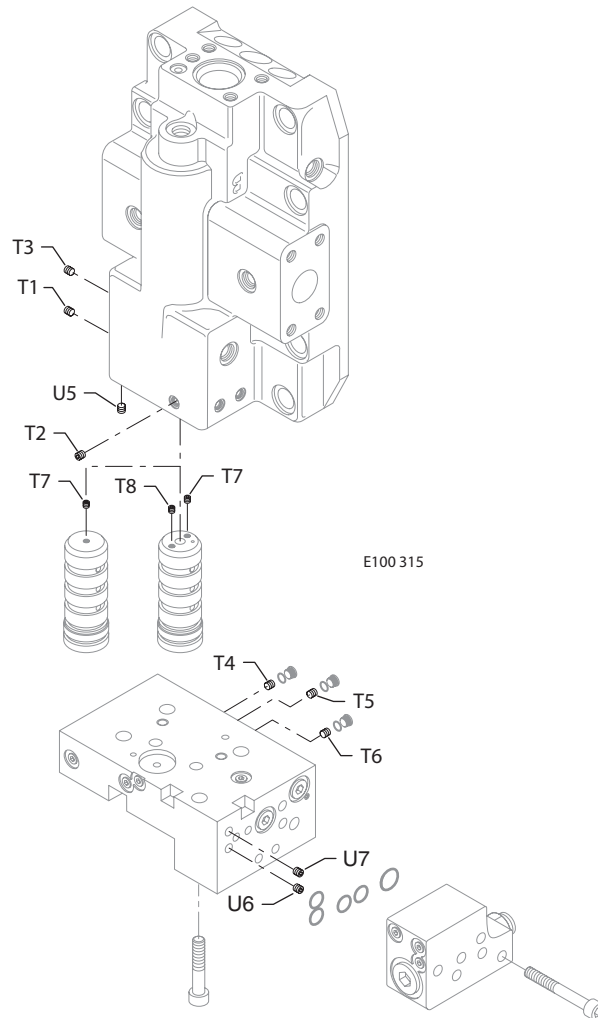
Order code	Item	Date begin	Date end	Part number	Part name	Qty. per model/kit
E2	T1	92-33		679316	Orifice. 0.5, M6 x 8	1
	T2	92-33		578542	Orifice. 0.8, M6 x 8	1
	T3	92-33		578542	Orifice. 0.8, M6 x 8	1
	T4	92-33		578542	Orifice. 0.8, M6 x 8	1
	T5	92-33		913897 (9007712-0605)	Set screw	1
	T6	92-33		578542	Orifice. 0.8, M6 x 8	1
	T7	92-33		639096	Orifice. 0.6, M5 x 6	1
	T8	92-33		639096	Orifice. 0.6, M5 x 6	1
	U6	92-33		044081	Orifice. 0.7, M6 x 8	1
	U7	92-33		044081	Orifice. 0.7, M6 x 8	1
E3	T1	92-33		679316	Orifice. 0.5, M6 x 8	1
	T2	92-33		578542	Orifice. 0.8, M6 x 8	1
	T3	92-33		578542	Orifice. 0.8, M6 x 8	1
	T4	92-33		578542	Orifice. 0.8, M6 x 8	1
	T5	92-33		913897 (9007712-0605)	Set screw	1
	T6	92-33		913897 (9007712-0605)	Set screw	1
	T7	92-33		639096	Orifice. 0.6, M5 x 6	1
	T8	92-33		639096	Orifice. 0.6, M5 x 6	1
	U6	92-33		044081	Orifice. 0.7, M6 x 8	1
	U7	92-33		044081	Orifice. 0.7, M6 x 8	1
E4	T1	92-33		679316	Orifice. 0.5, M6 x 8	1
	T2	92-33		578542	Orifice. 0.8, M6 x 8	1
	T3	92-33		578542	Orifice. 0.8, M6 x 8	1
	T4	92-33		913897 (9007712-0605)	Set screw	1
	T5	92-33		913897 (9007712-0605)	Set screw	1
	T6	92-33		578542	Orifice. 0.8, M6 x 8	1
	T7	92-33		639096	Orifice. 0.6, M5 x 6	1
	T8	92-33		639096	Orifice. 0.6, M5 x 6	1
	U6	92-33		044081	Orifice. 0.7, M6 x 8	1
	U7	92-33		044081	Orifice. 0.7, M6 x 8	1
E5	T1	92-33		679316	Orifice. 0.5, M6 x 8	1
	T2	92-33		578542	Orifice. 0.8, M6 x 8	1
	T3	92-33		578542	Orifice. 0.8, M6 x 8	1
	T4	92-33		578542	Orifice. 0.8, M6 x 8	1
	T5	92-33		913897 (9007712-0605)	Set screw	1
	T6	92-33		578542	Orifice. 0.8, M6 x 8	1
	T7	92-33		639096	Orifice. 0.6, M5 x 6	1
	T8	92-33		639096	Orifice. 0.6, M5 x 6	1
	U5	92-33		913897 (9007712-0605)	Set screw	1
	U6	92-33		511825	Orifice. 0.6, M6 x 8	1



Enlarged **bold** type item numbers are recommended part to stock for servicing.

ORIFICE

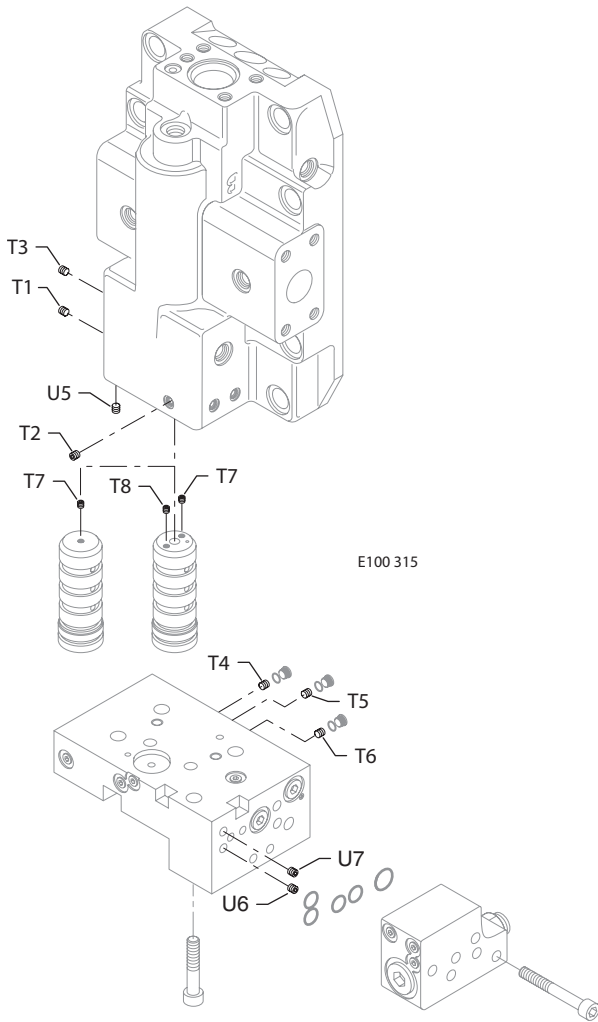
Order code	Item	Date begin	Date end	Part number	Part name	Qty. per model/kit
E6	T1	92-33		679316	Orifice. 0.5, M6 x 8	1
	T2	92-33		578542	Orifice. 0.8, M6 x 8	1
	T3	92-33		578542	Orifice. 0.8, M6 x 8	1
	T7	92-33		639096	Orifice. 0.6, M5 x 6	1
	T8	92-33		639096	Orifice. 0.6, M5 x 6	1
	U5	92-33		913897 (9007712-0605)	Set screw	1
E8	T1	92-33		679316	Orifice. 0.5, M6 x 8	1
	T2	92-33		578542	Orifice. 0.8, M6 x 8	1
	T3	92-33		578542	Orifice. 0.8, M6 x 8	1
	T4	92-33		913897 (9007712-0605)	Set screw	1
	T5	92-33		913897 (9007712-0605)	Set screw	1
	T6	92-33		578542	Orifice. 0.8, M6 x 8	1
	T7	92-33		639096	Orifice. 0.6, M5 x 6	1
	T8	92-33		639096	Orifice. 0.6, M5 x 6	1
	U5	92-33		913897 (9007712-0605)	Set screw	1
	U6	92-33		511825	Orifice. 0.6, M6 x 8	1
	U7	92-33		511825	Orifice. 0.6, M6 x 8	1
F1	T1	92-33		679316	Orifice. 0.5, M6 x 8	1
	T2	92-33		578542	Orifice. 0.8, M6 x 8	1
	T3	92-33		578542	Orifice. 0.8, M6 x 8	1
	T5	92-33		578542	Orifice. 0.8, M6 x 8	1
	T7	92-33		639096	Orifice. 0.6, M5 x 6	1
	T8	92-33		639096	Orifice. 0.6, M5 x 6	1
	U6	92-33		578542	Orifice. 0.8, M6 x 8	1
	U7	92-33		578542	Orifice. 0.8, M6 x 8	1
F5	T7	92-33		639096	Orifice. 0.6, M5 x 6	1
	T8	92-33		639096	Orifice. 0.6, M5 x 6	1
	U6	92-33		913897 (9007712-0605)	Set screw	1
	U7	92-33		044081	Orifice. 0.7, M6 x 8	1
F7	T2	92-33		578542	Orifice. 0.8, M6 x 8	1
	T3	92-33		578542	Orifice. 0.8, M6 x 8	1
	T4	92-33		578542	Orifice. 0.8, M6 x 8	1
	T5	92-33		913897 (9007712-0605)	Set screw	1
	T6	92-33		578542	Orifice. 0.8, M6 x 8	1
	T7	92-33		639096	Orifice. 0.6, M5 x 6	1
	T8	92-33		639096	Orifice. 0.6, M5 x 6	1
	U5	92-33		913897 (9007712-0605)	Set screw	1



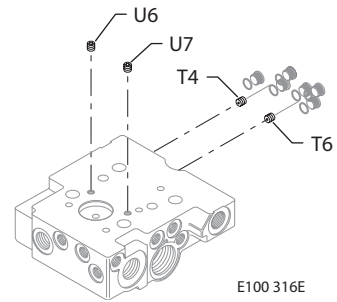
Enlarged **bold** type item numbers are recommended part to stock for servicing.

ORIFICE

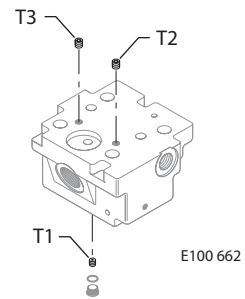
Order code	Item	Date begin	Date end	Part number	Part name	Qty. per model/kit
F8	T1	92-33		578542	Orifice, 0.8, M6 x 8	1
	T2	92-33		578542	Orifice, 0.8, M6 x 8	1
	T3	92-33		578542	Orifice, 0.8, M6 x 8	1
	T4	92-33		913897 (9007712-0605)	Set screw	1
	T5	92-33		578542	Orifice, 0.8, M6 x 8	1
	T6	92-33		913897 (9007712-0605)	Set screw	1
	T7	92-33		639096	Orifice, 0.6, M5 x 6	1
	T8	92-33		639096	Orifice, 0.6, M5 x 6	1
G0	T1	92-33		578542	Orifice, 0.8, M6 x 8	1
	T2	92-33		679316	Orifice, 0.5, M6 x 8	1
	T3	92-33		679316	Orifice, 0.5, M6 x 8	1
G1	T1	92-33		578542	Orifice, 0.8, M6 x 8	1
	T2	92-33		679316	Orifice, 0.5, M6 x 8	1
	T3	92-33		679316	Orifice, 0.5, M6 x 8	1
	U6	92-33		578542	Orifice, 0.8, M6 x 8	1
	U7	92-33		578542	Orifice, 0.8, M6 x 8	1
G2	T1	92-33		578542	Orifice, 0.8, M6 x 8	1
	T2	92-33		679316	Orifice, 0.5, M6 x 8	1
	T3	92-33		679316	Orifice, 0.5, M6 x 8	1
	T5	92-33		913897 (9007712-0605)	Set screw	1
	U6	92-33		578542	Orifice, 0.8, M6 x 8	1
	U7	92-33		578542	Orifice, 0.8, M6 x 8	1
	G5	T1	92-33		679316	Orifice, 0.5, M6 x 8
	T2	92-33		679316	Orifice, 0.5, M6 x 8	1
	T3	92-33		679316	Orifice, 0.5, M6 x 8	1
G6	T1	92-33		679316	Orifice, 0.5, M6 x 8	1
	T2	92-33		679316	Orifice, 0.5, M6 x 8	1
	T3	92-33		679316	Orifice, 0.5, M6 x 8	1
	U6	92-33		578542	Orifice, 0.8, M6 x 8	1
	U7	92-33		578542	Orifice, 0.8, M6 x 8	1
G7	T1	92-33		679316	Orifice, 0.5, M6 x 8	1
	T2	92-33		679316	Orifice, 0.5, M6 x 8	1
	T3	92-33		679316	Orifice, 0.5, M6 x 8	1
	T5	92-33		913897 (9007712-0605)	Set screw	1
	U6	92-33		578542	Orifice, 0.8, M6 x 8	1
	U7	92-33		578542	Orifice, 0.8, M6 x 8	1



E100 315



E100 316E

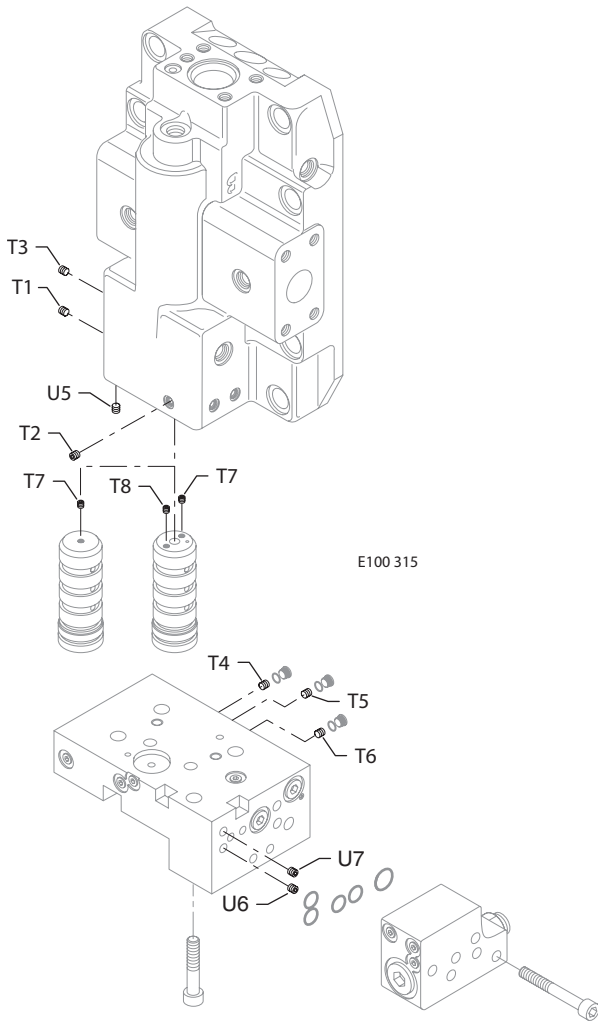


E100 662

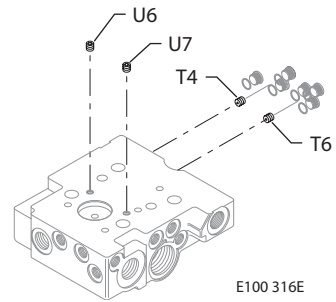
Enlarged **bold** type item numbers are recommended part to stock for servicing.

ORIFICE

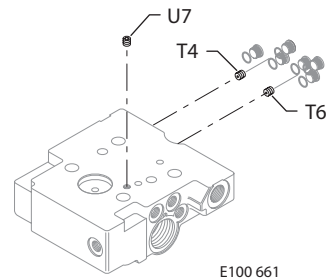
Order code	Item	Date begin	Date end	Part number	Part name	Qty. per model/kit
G8	T1	92-33		679316	Orifice.0.5, M6 x 8	1
	T2	92-33		679316	Orifice.0.5, M6 x 8	1
	T3	92-33		679316	Orifice.0.5, M6 x 8	1
	T5	92-33		913897 (9007712-0605)	Set screw	1
	T6	92-33		913897 (9007712-0605)	Set screw	1
	U6	92-33		578542	Orifice.0.8, M6 x 8	1
	U7	92-33		578542	Orifice.0.8, M6 x 8	1
H4	T4	92-33		578542	Orifice.0.8, M6 x 8	1
	T6	92-33		578542	Orifice.0.8, M6 x 8	1
	T7	92-33		639096	Orifice.0.6, M5 x 6	1
	T8	92-33		639096	Orifice.0.6, M5 x 6	1
	U6	92-33		044081	Orifice.0.7, M6 x 8	1
	U7	92-33		044081	Orifice.0.7, M6 x 8	1
H6	T1	92-33		679316	Orifice.0.5, M6 x 8	1
	T2	92-33		578542	Orifice.0.8, M6 x 8	1
	T3	92-33		578542	Orifice.0.8, M6 x 8	1
H7	T1	92-33		578542	Orifice.0.8, M6 x 8	1
	T2	92-33		578542	Orifice.0.8, M6 x 8	1
	T3	92-33		578542	Orifice.0.8, M6 x 8	1
	U5	92-33		913897 (9007712-0605)	Set screw	1
H9	T1	92-33		578542	Orifice.0.8, M6 x 8	1
	T2	92-33		578542	Orifice.0.8, M6 x 8	1
	T3	92-33		578542	Orifice.0.8, M6 x 8	1
J1	T1	92-33		578542	Orifice.0.8, M6 x 8	1
	T2	92-33		578542	Orifice.0.8, M6 x 8	1
	T3	92-33		578542	Orifice.0.8, M6 x 8	1
J2	T1	92-33		511825	Orifice.0.6, M6 x 8	1
	T2	92-33		511825	Orifice.0.6, M6 x 8	1
	T3	92-33		511825	Orifice.0.6, M6 x 8	1
J5	T4	92-33		578542	Orifice.0.8, M6 x 8	1
	T6	92-33		913897 (9007712-0605)	Set screw	1
	T7	92-33		639096	Orifice.0.6, M5 x 6	1
	T8	92-33		639096	Orifice.0.6, M5 x 6	1
	U6	92-33		578542	Orifice.0.8, M6 x 8	1
	U7	92-33		578542	Orifice.0.8, M6 x 8	1
	K1	T1	92-33		679316	Orifice.0.5, M6 x 8
T2		92-33		679316	Orifice.0.5, M6 x 8	1
T3		92-33		679316	Orifice.0.5, M6 x 8	1
U5		92-33		913897 (9007712-0605)	Set screw	1



E100 315



E100 316E

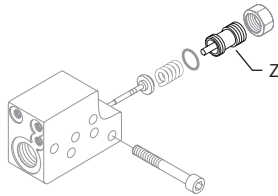
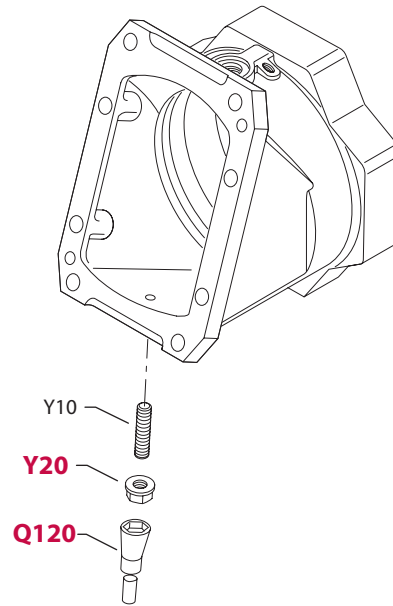
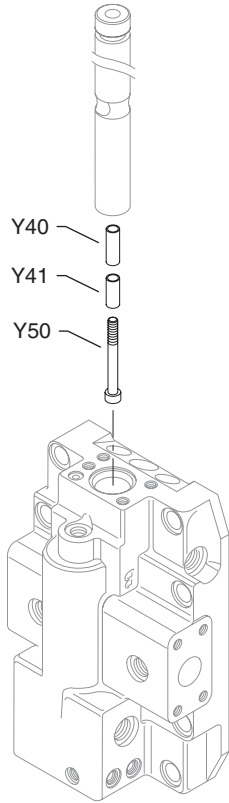


E100 661

Enlarged **bold** type item numbers are recommended part to stock for servicing.

ORIFICE

Order code	Item	Date begin	Date end	Part number	Part name	Qty. per model/kit
K3	T2	92-33		511825	Orifice. 0.6, M6 x 8	1
	T7	92-33		639096	Orifice. 0.6, M5 x 6	1
	T8	92-33		639096	Orifice. 0.6, M5 x 6	1
	U7	92-33		511825	Orifice. 0.6, M6 x 8	1
K4	T2	92-33		578542	Orifice. 0.8, M6 x 8	1
	T3	92-33		578542	Orifice. 0.8, M6 x 8	1
K7	T1	92-33		578542	Orifice. 0.8, M6 x 8	1
	T2	92-33		679316	Orifice. 0.5, M6 x 8	1
	T3	92-33		679316	Orifice. 0.5, M6 x 8	1
	T7	92-33		639096	Orifice. 0.6, M5 x 6	1
	T8	92-33		639096	Orifice. 0.6, M5 x 6	1
L1	T4	92-33		578542	Orifice. 0.8, M6 x 8	1
	T6	92-33		578542	Orifice. 0.8, M6 x 8	1
	T7	92-33		639096	Orifice. 0.6, M5 x 6	1
	T8	92-33		639096	Orifice. 0.6, M5 x 6	1
	U5	92-33		913897 (9007712-0605)	Set screw	1
	U6	92-33		044081	Orifice. 0.7, M6 x 8	1
	U7	92-33		044081	Orifice. 0.7, M6 x 8	1
M1	T4	92-33		578542	Orifice. 0.8, M6 x 8	1
	T6	92-33		578542	Orifice. 0.8, M6 x 8	1
	T7	92-33		639096	Orifice. 0.6, M5 x 6	1
	T8	92-33		639096	Orifice. 0.6, M5 x 6	1
	U7	92-33		044081	Orifice. 0.7, M6 x 8	1
M8	T2	92-33		511825	Orifice. 0.6, M6 x 8	1
	T3	92-33		511825	Orifice. 0.6, M6 x 8	1
	U5	92-33		913897 (9007712-0605)	Set screw	1
N2	T2	92-33		511825	Orifice. 0.6, M6 x 8	1
	T3	92-33		511825	Orifice. 0.6, M6 x 8	1
	U7	92-33		511825	Orifice. 0.6, M6 x 8	1
N6	T1	92-33		511825	Orifice. 0.6, M6 x 8	1
	T2	92-33		578542	Orifice. 0.8, M6 x 8	1
	T3	92-33		578542	Orifice. 0.8, M6 x 8	1
	U5	92-33		913897 (9007712-0605)	Set screw	1
N8	T1	92-33		578542	Orifice. 0.8, M6 x 8	1
	T2	92-33		679316	Orifice. 0.5, M6 x 8	1
	T3	92-33		578542	Orifice. 0.8, M6 x 8	1
	U6	92-33		578542	Orifice. 0.8, M6 x 8	1
	U7	92-33		578542	Orifice. 0.8, M6 x 8	1



E100 317E

Enlarged **bold** type item numbers are recommended part to stock for servicing.

MINIMUM DISPLACEMENT

016-035	Q120	91-26		770834	Safety cap	1
	Y10	91-26		750638	Set screw, M10 x 65	1
	Y20	91-26		042432	Seal nut, M10	1
036-054	Q120	91-26		770834	Safety cap	1
	Y10	91-26		749556	Set screw, M10 x 80	1
	Y20	91-26		042432	Seal nut, M10	1
057	Q120	91-26		770834	Safety cap	1
	Y10	91-26		041103	Set screw, M10 x 40	1
	Y20	91-26		042432	Seal nut, M10	1
	Y40	91-26		674176	Spacer, 10.5 mm	1
	Y41	91-26		674184	Spacer, 12 mm	1
	Y50	91-26		393777	Screw, M10 x 70	1
060	Q120	91-26		770834	Safety cap	1
	Y10	91-26		041103	Set screw, M10 x 40	1
	Y20	91-26		042432	Seal nut, M10	1
	Y40	91-26		339275	Spacer, 24.5 mm	1
	Y50	91-26		393777	Screw, M10 x 70	1
065	Y10	91-26		041103	Set screw, M10 x 40	1
	Y20	91-26		042432	Seal nut, M10	1
	Y40	91-26		681692	Spacer, 29.0 mm	1
	Y50	91-26		399758	Screw, M10 x 75	1
N38	Y50	00-01		680686	Screw, M10 x 50	1

PCOR ADJUSTER

00				No parts		
11-26	Z	91-26		745661	Adjuster, 70-260 bar	1
27-37	Z	91-26		745679	Adjuster, 270-420 bar	1
A1-C7				No parts		

PRODUCTS AFFECTED

All Series 51 motors

SUBJECT

End cap gasket change.

DESCRIPTION

Effective immediately, a new end cap gasket has been incorporated on all Series 51 motors. It is a direct replacement for the current gasket. The visible differences between the two gaskets are:

1. The new gasket is thicker. It measures .040" versus .030".
2. The new gasket has a red tint to the surface.

The new gasket is a stand alone gasket which should not be used with any sealing aid. The current torque values stay the same.

The new gaskets are now available and **MUST** be used in any repair or conversion.

MODELS AFFECTED

All series 51 motors

SERIAL NUMBERS

N/A

PART NUMBERS AFFECTED

Frame size	Old part number	New part number
60cc	729228	501198
80cc	734368	501199
110cc	734376	501200
160cc	734384	501201
250cc	734392	501202

PARTS DISPOSITION

- Interchangeable
- Scrap used parts
- Order replacement parts
- Revise existing part orders

PRODUCTS AFFECTED Series 51: 60cc-250cc motors

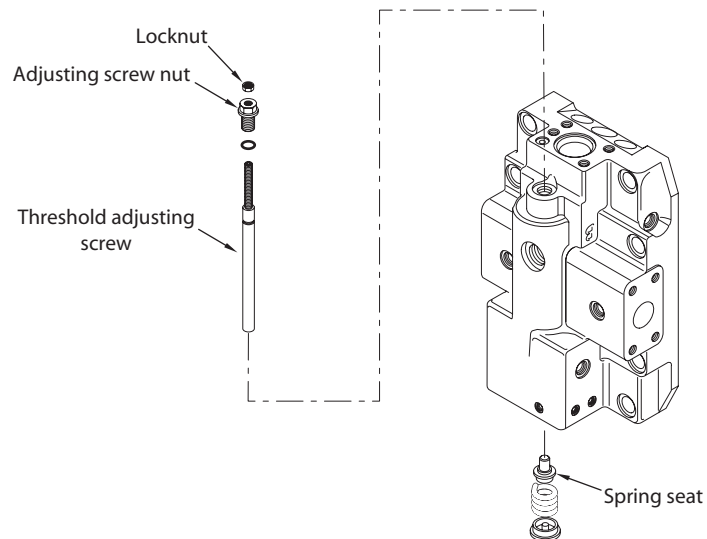
SUBJECT Threshold adjustment screw.

DESCRIPTION To improve the sensitivity of the threshold adjustment on Series 51 motors, the threads on the adjusting screw are being changed from standard pitch thread to fine pitch thread. The adjusting screw nut and lock nut will also change. At the same time, the bore diameter in the end of the adjusting screw and the pin diameter on the end of the spring seat will decrease.

The old style parts will be obsolete and no longer available as service parts. A service kit containing the adjusting assembly and the spring seat has been created.

Piece parts are not interchangeable.

All noted parts must be replaced.



MODELS AFFECTED All series 51: 60cc - 250cc motors

SERIAL NUMBERS This change became effective at serial number N-96-07-xxxxx.

PART NUMBERS AFFECTED

Frame size	Old hardware				New kits
	Spring seat	Adjusting screw nut	Lock nut	Theshold adjusting screw	Threshold adjusting kit
60cc	722264	732487	69393	729251	507691
80cc	722264	732487	69393	732503	507692
80cc	722264	732487	69393	737353	507672
110cc	722264	732487	69393	732511	507693
110cc	722264	732487	69393	732503	507677
160cc	722264	732487	69393	792051	507694
250cc	722264	732487	69393	792069	507695

PARTS DISPOSITION

■ Interchangeable - Piece part are not interchangeable

PRODUCTS AFFECTED

Series 51: 60cc - 250cc motors

SUBJECT

Change to balanced areas between end cap and valve segment.

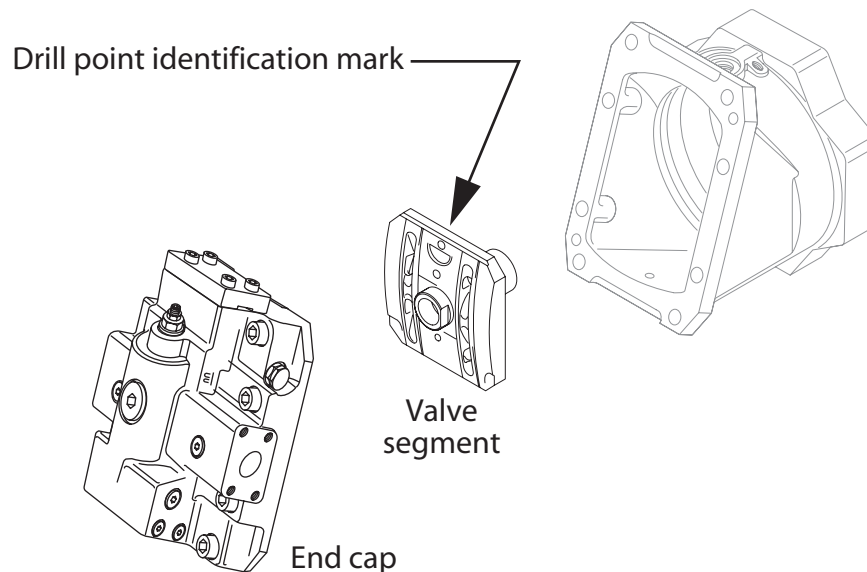
DESCRIPTION

As part of the continuing Series 51 product improvement program, the balance lands on the end cap and valve segment have been changed. The valve segment now defines the balance. The contact surface of the end cap has been made larger while the contact surface of the valve segment has been reduced. The change was implemented in three steps:

1. Change the valve segment so it defines the balance between the valve segment and the end cap. This change was implemented May 1994.
2. Change the end cap to allow a larger contact surface to keep the load area constant. This change was implemented January 1995
3. Change the valve segment to allow a smaller contact surface and reduce the balance. This change was implemented February 1996.

Do not use a new end cap with an old valve segment. However a new valve segment will work with an old end cap. The new valve segment (3rd step) is marked with a drill point on the cylinder block interface side next to the outer drain hole.

The old end cap and valve segment part numbers are obsolete. They are no longer available as genuine service parts.



MODELS AFFECTED

All Series 51 motors

SERIAL NUMBERS

N-96-12-xxxxx and later

PART NUMBERS AFFECTED

End caps	Radial ports		Radial ports		Axial ports		Axial ports	
	w/LF		w/o LF		w/LF		w/o LF	
	Old	New	Old	New	Old	New	Old	New
60cc	729210	504226	779793	504227	-	-	-	-
80cc	731794	504230	731794	504231	739615	504232	739615	504234
110cc	731802	504236	731802	504236	739631	504237	739631	504238
160cc	731810	504239	731810	504240	731828	504242	731828	504243
250cc	731836	504244	783282	504245	731844	504246	731844	504247

Valve segment	Standard spindle		Retained spindle	
	Old	New	Old	New
60cc	732701	504718	-	-
80cc	360354	503939	-	-
110cc	349076	504715	501349	507758
160cc	356139	507242	500341	507759
250cc	367896	508202	502561	508202

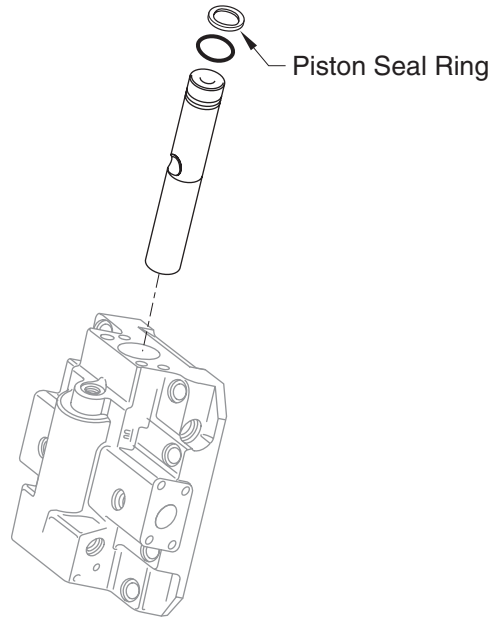
PARTS DISPOSITION

■ Interchangeable - except where noted

PRODUCTS AFFECTED Series 51: 60 thru 250cc variable motors

SUBJECT Servo piston seal ring change

DESCRIPTION As a product improvement, Sauer-Danfoss is changing the vendor for the servo piston seal ring used in the Series 51 variable motors. As a result, the old piston seal ring will become obsolete and no longer available as a service part.



MODELS AFFECTED All Series 51 motors

SERIAL NUMBERS N-96-08-xxxxx and after

PART NUMBERS AFFECTED

Frame size	Old part number	New part number
60cc	504202	508131
80cc	504203	508132
110cc	504204	508133
160cc	504205	508134
250cc	687277	504136

PARTS DISPOSITION ■ Interchangeable

PRODUCTS AFFECTED

Series 51: 60 thru 250cc variable motors

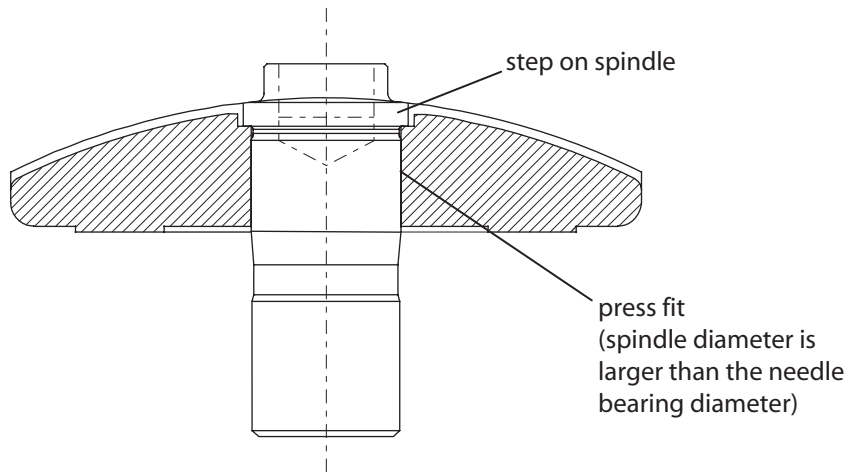
SUBJECT

Change to stepped spindle in valve segment

DESCRIPTION

As part of the continuing Series 51 product improvement, the valve segment spindle design has been changed. The new design spindle has a step that stops against a recess in the valve segment. The new stepped spindle valve segment assembly replaces the valve segment assemblies with the straight spindle and the retained spindle.

The old segment valve assemblies will become obsolete. The stepped spindle valve segment assembly will be the standard for all models.



MODELS AFFECTED

All Series 51 motors

SERIAL NUMBERS

N-96-08-xxxxx and after

PART NUMBERS AFFECTED

Frame size	Obsolete Straight spindle valve segment	Obsolete Retained spindle valve segment	New Stepped spindle valve segment
60cc	504718	-	508197
80cc	503939	-	508198
110cc	504715	507758	508199
160cc	507252	507759	508201
250cc	507757	507760	508202

PARTS DISPOSITION

■ Interchangeable - except where noted

PRODUCTS AFFECTED

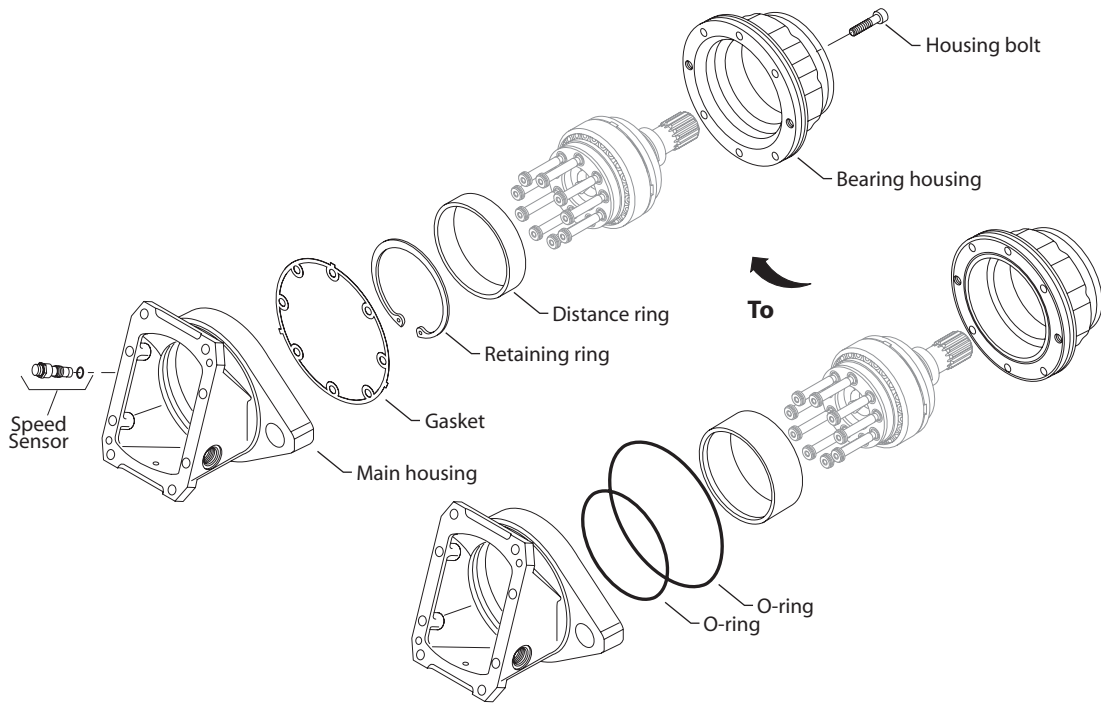
Series 51 cartridge motors

SUBJECT

Incorporation of speed sensor into cartridge motors.

DESCRIPTION

In order to incorporate a speed sensor into the Series 51 cartridge motors, some changes have been made to the main housing and bearing housing. These changes included: adding a boss to the side of the main housing for the speed sensor, changing from O-ring seals between housings to a gasket seal, shortening the distance ring to allow clearance for the speed sensor, and adding a retaining ring to locate the distance ring. These parts are non-interchangeable as both housings have changed. The old housings and distance ring are obsolete and no longer available as service parts. Refer to Service Bulletin SB-1998-021 for housing bolt torque and sequence.



MODELS AFFECTED

51C060, 51C080, and 51C110 cartridge motors

SERIAL NUMBERS

51C060 motors = N-94-42-xxxxx and after
 51C080 motors = N-94-42-xxxxx thru N-98-32-xxxxx. After N98-32-xxxxx see SB-1998-086
 51C110 motors = N-96-24-xxxxx and after

PART NUMBERS AFFECTED

	From	To	From	To	From	To
Description	60cc	60cc	80cc	80cc	110cc	110cc
Main housing	741652	501103	734855	501104	738997	501105
Bearing housing	763756	501108	734632	501109	738971	501110
Retaining ring	--	501120	--	371625	--	504732
Gasket	--	501019	--	507259	--	501113
O-ring	792319	--	916759	--	502206	--
O-ring	502204	--	279570	--	502207	--
Distance ring	741702	501116	734913	501117	739045	501118

PARTS DISPOSITION

■ Non-interchangeable

PRODUCTS AFFECTED

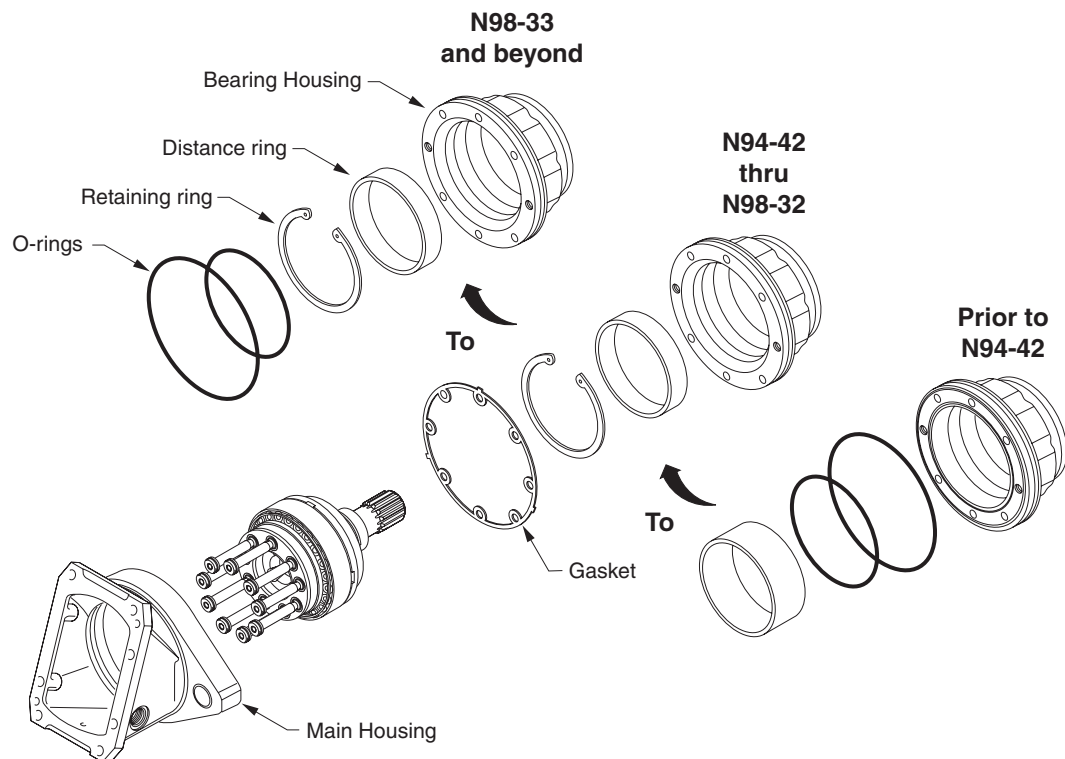
Series 51 & 51-1: 80cc cartridge motors

SUBJECT

Change from gasket to O-ring sealing at interface between housings.

DESCRIPTION

As a joint sealing improvement, Sauer-Danfoss is changing the type of seal between the housings on Series 51 cartridge type motors in the 80cc frame size. With this change, two O-rings are incorporated into the design replacing the gasket. This design is similar, but with different size O-rings to the two O-ring design originally used on the 80cc cartridge motor, prior to the incorporation of the speed sensor option (see SB-1998-035). Both housings have been changed so they are not individually interchangeable with the "gasket" design housings. The "gasket" design housings and gasket part numbers will remain available as service parts.



MODELS AFFECTED

All 80cc Series 51 & 51-1 cartridge motors

SERIAL NUMBERS

Change became effective at serial number N-98-33-xxxxx

PART NUMBERS AFFECTED

Description	Before N-94-42	N-94-42 thru N-98-32	N-98-33 & beyond
Main housing	734855	505527 w/o PPU 501104 w/PPU	512676 w/o PPU 512677 w/PPU
Bearing housing	734632	501109	512679
Retaining ring	N/A	371625	371625
Gasket	N/A	507259	N/A
O-ring	916759	N/A	502205
O-ring	279570	N/A	512678
Distance ring	734913	501117	501117

PARTS DISPOSITION

■ Non-interchangeable (as individual parts)

PRODUCTS AFFECTED

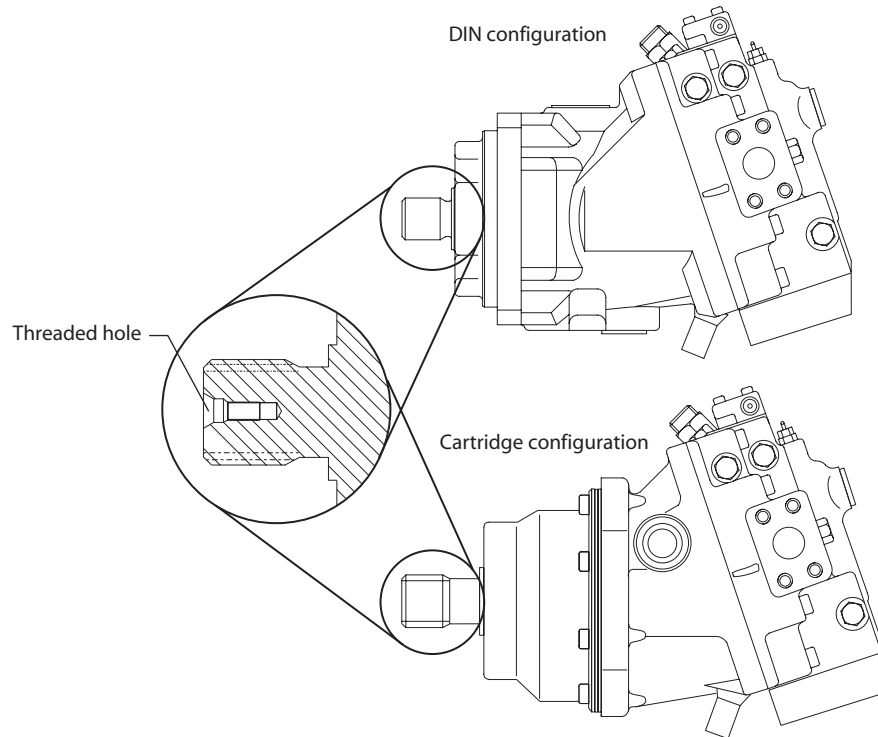
Series 51: 60cc, 80cc, 110cc, and 160cc motors

SUBJECT

Thread change at customer end of DIN shaft assemblies.

DESCRIPTION

As a product improvement, Sauer-Danfoss has changed the threaded hole at the customer end of DIN shaft assemblies to metric threads. Metric shaft assemblies will now have a metric threaded hole. To aid in identifying this change, new shaft assembly part numbers have been released. The new shaft assemblies are interchangeable with the previous shaft assemblies. The previous shaft assembly part numbers will become obsolete.



MODELS AFFECTED

All 60, 80, 110, and 160cc motors (Series 51 and 51-1) with DIN shaft assemblies

SERIAL NUMBERS

See table below

PART NUMBERS AFFECTED

Frame size	Shaft code	Previous p/n	New p/n	Bolt size FROM	Bolt size TO	Effective after serial number
60cc	D1	747931	513034	7/16 - 14	M10 x 1.5	N-99-17-xxxxx
60cc	D2	787622	513033	7/16 - 14	M10 x 1.5	N-99-52-xxxxx
80cc	D2	742213	513037	7/16 - 14	M10 x 1.5	N-99-13-xxxxx
80cc	D3	783399	513035	7/16 - 14	M10 x 1.5	N-99-12-xxxxx
110cc	D3	787663	513039	5/8 - 11	M12 x 1.75	N-99-16-xxxxx
110cc	D4	749192	513038	5/8 - 11	M12 x 1.75	N-99-17-xxxxx
160cc	D4	787689	513041	5/8 - 11	M12 x 1.75	N-99-16-xxxxx
160cc	D5	749226	513040	5/8 - 11	M12 x 1.75	N-99-39-xxxxx

PARTS DISPOSITION

■ Interchangeable

PRODUCTS AFFECTED

All Series 51 & 51-1 motors

SUBJECT

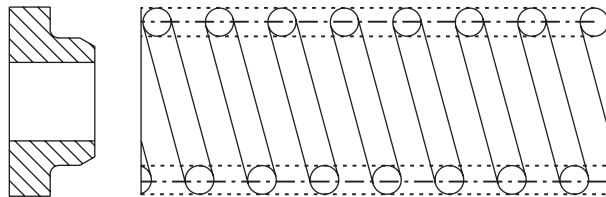
Change to spring and spring seat at ends of loop flushing shuttle spool.

DESCRIPTION

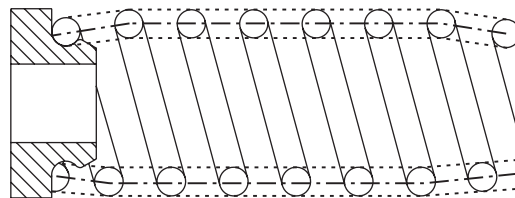
As a product improvement, and to ease assembly, the spring and spring seat at the ends of the loop flushing shuttle spool have been changed. The new spring and spring seat clip together. The old spring and spring seat are interchangeable with the new spring and spring seat as an assembly only.

The old spring seat will become obsolete and no longer available as a service part. The old spring will remain available as a service part.

From:



To:



MODELS AFFECTED

All Series 51 and 51-1 variable motors

SERIAL NUMBERS

This change became effective at serial number N-00-50-xxxxx

PART NUMBERS AFFECTED

From: Spring part number 4350286 and spring seat part number 4800353

To: Spring seat assembly part number 513596

PARTS DISPOSITION

■ Interchangeable - as an assembly only

PRODUCTS AFFECTED

All Series 51 & 51-1 motors

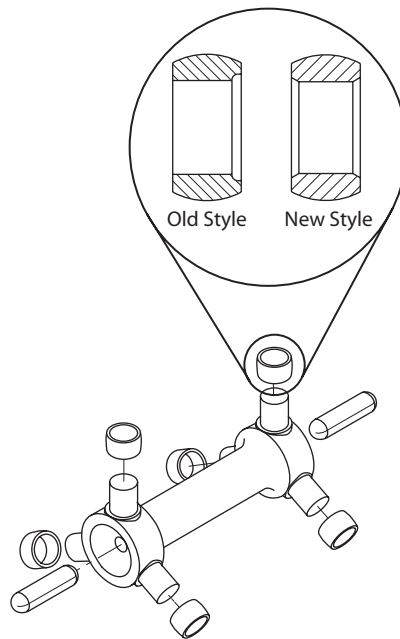
SUBJECT

Incorporation of symmetrical rollers on the synchronizing shaft

DESCRIPTION

As a product improvement and to improve ease of assembly, Sauer-Danfoss has changed the design of the rollers used on the synchronizing shaft in Series 51 and 51-1 motors. The new rollers are symmetrical, in that they can be assembled either direction on the synchronizing shaft. The old rollers were asymmetrical and had to be assembled only one way. The synchronizing shaft has also been changed to accept the symmetrical rollers. The legs for the rollers are now longer in length.

A service kit is available to replace the old design synchronizing shaft and rollers, which are obsolete and no longer available as service parts. The pins at each end of the synchronizing shaft are still the same parts.



MODELS AFFECTED

All Series 51 and 51-1 motors

SERIAL NUMBERS

Effective after N-01-39-xxxxx

PART NUMBERS AFFECTED

Frame size	Old kit part number	New kit part number
60cc	771675	517308
80cc	771121	517309
110cc	773267	516485
160cc	776823	517310
250cc	776831	517311

PARTS DISPOSITION

- Interchangeable; as an assembly only
- Use parts in stock

PRODUCTS AFFECTED

All Series 51 & 51-1 motors

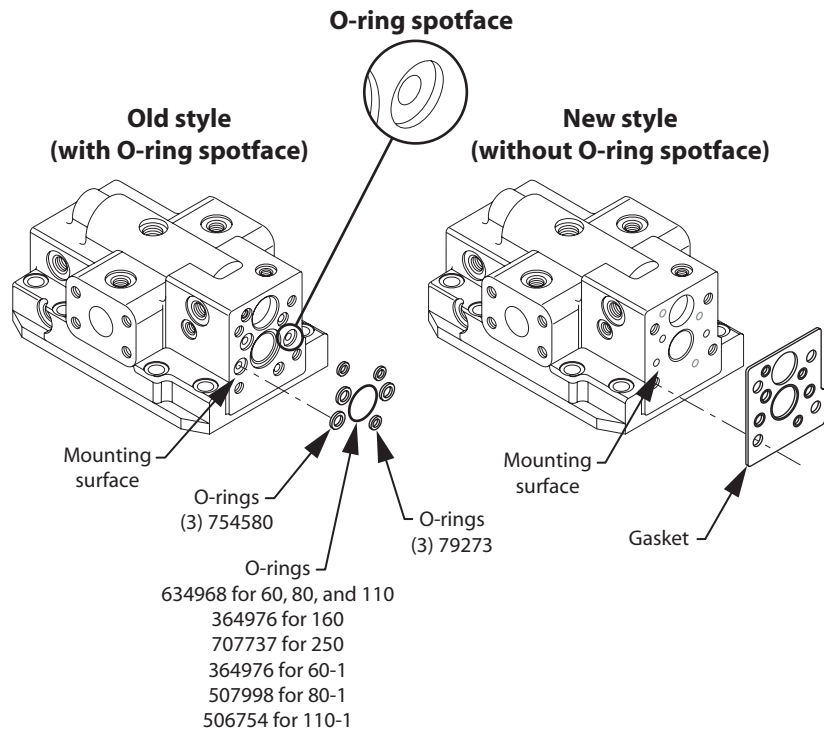
SUBJECT

Sealing change to end cap/control interface

DESCRIPTION

The sealing is improved between the end cap and controls or multi-function blocks on all Series 51 and 51-1 motors. This change replaces individual O-rings with a gasket that incorporates imbedded rubber seal rings. The O-ring spot faces are removed from the end cap mounting face. There is no change to controls' and multi-function blocks' sealing surface.

New end cap part numbers allow better control of this change. Old end cap part numbers are obsolete. You cannot use the new gasket with old end caps and you cannot use the O-rings with new end caps. Control and multi-function block kit now include the O-rings and the new gasket.



MODELS AFFECTED

All Series 51 and 51-1 motors

SERIAL NUMBERS

See table below

PART NUMBERS AFFECTED

End cap code	Frame size	Old part number	New part number	Manufacture date code	Gasket part number
R and T	60	504226	516057	N-03-14-xxxxx	511810
A	60	504228	515695	N-03-12-xxxxx	511810
R	60-1	506563	516902	N-03-39-xxxxx	512411
A	60-1	506564	516905	N-03-28-xxxxx	512411
H	60-1	510643	516920	N-03-28-xxxxx	512411
R and T	80	504230	515056	N-03-14-xxxxx	511810
A	80	504232	515696	N-03-27-xxxxx	511810
R	80-1	507976	516903	N-03-39-xxxxx	512411
A	80-1	507977	516907	N-03-39-xxxxx	512411
H	80-1	507978	516921	N-03-39-xxxxx	512411
R and T	110	504235	516058	N-03-14-xxxxx	511810
A	110	504237	513592	N-03-01-xxxxx	511810
R	110-1	506601	516904	N-03-39-xxxxx	512411
A	110-1	506602	515697	N-03-39-xxxxx	512411
H	110-1	510634	516923	N-03-39-xxxxx	512411
R	160	504239	516059	N-03-07-xxxxx	511851
A	160	504242	513543	N-03-01-xxxxx	511851
R	250	504244	516060	N-03-07-xxxxx	511851
A	250	504246	513544	N-03-08-xxxxx	511851

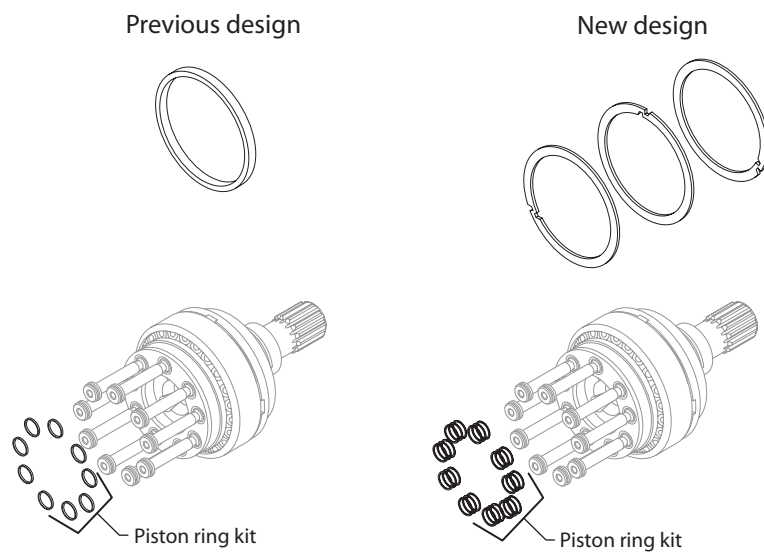
PARTS DISPOSITION

- Non-interchangeable;
- Order replacement parts

PRODUCTS AFFECTED Series 51 and 51-1: 80cc, motors

SUBJECT Piston ring

DESCRIPTION Sauer-Danfoss



MODELS AFFECTED All 60, 80, 110, and 160cc motors (Series 51 and 51-1) with DIN shaft assemblies

SERIAL NUMBERS See table below

PART NUMBERS AFFECTED

Frame size	Shaft code	Previous p/n	New p/n	Bolt size FROM	Bolt size TO	Effective after serial number
60cc	D1	747931	513034	7/16 - 14	M10 x 1.5	N-99-17-xxxxx
60cc	D2	787622	513033	7/16 - 14	M10 x 1.5	N-99-52-xxxxx
80cc	D2	742213	513037	7/16 - 14	M10 x 1.5	N-99-13-xxxxx
80cc	D3	783399	513035	7/16 - 14	M10 x 1.5	N-99-12-xxxxx
110cc	D3	787663	513039	5/8 - 11	M12 x 1.75	N-99-16-xxxxx
110cc	D4	749192	513038	5/8 - 11	M12 x 1.75	N-99-17-xxxxx
160cc	D4	787689	513041	5/8 - 11	M12 x 1.75	N-99-16-xxxxx
160cc	D5	749226	513040	5/8 - 11	M12 x 1.75	N-99-39-xxxxx

PARTS DISPOSITION ■ Interchangeable



OUR PRODUCTS

Hydrostatic transmissions
Hydraulic power steering
Electric power steering
Electrohydraulic power steering
Closed and open circuit axial piston pumps and motors
Gear pumps and motors
Bent axis motors
Orbital motors
Transit mixer drives
Planetary compact gears
Proportional valves
Directional spool valves
Cartridge valves
Hydraulic integrated circuits
Hydrostatic transaxles
Integrated systems
Fan drive systems
Electrohydraulics
Microcontrollers and software
Electric motors and inverters
Joysticks and control handles
Displays
Sensors

Sauer-Danfoss Mobile Power and Control Systems – Market Leaders Worldwide

Sauer-Danfoss is a comprehensive supplier providing complete systems to the global mobile market.

Sauer-Danfoss serves markets such as agriculture, construction, road building, material handling, municipal, forestry, turf care, and many others.

We offer our customers optimum solutions for their needs and develop new products and systems in close cooperation and partnership with them.

Sauer-Danfoss specializes in integrating a full range of system components to provide vehicle designers with the most advanced total system design.

Sauer-Danfoss provides comprehensive worldwide service for its products through an extensive network of Authorized Service Centers strategically located in all parts of the world.

Sauer-Danfoss (US) Company
2800 East 13th Street
Ames, IA 50010, USA
Phone: +1 515 239-6000, Fax: +1 515 239 6618

Sauer-Danfoss (Neumünster) GmbH & Co. OHG
Postfach 2460, D-24531 Neumünster
Krokamp 35, D-24539 Neumünster, Germany
Phone: +49 4321 871-0, Fax: +49 4321 871 122

Sauer-Danfoss ApS
DK-6430 Nordborg, Denmark
Phone: +45 7488 4444, Fax: +45 7488 4400

www.sauer-danfoss.com